

E600 Series With Blinds/Storm Panel 3 1/4" Frame Depth Project-In (Hopper)

E600 SERIES PROJECT-IN

WITH BLINDS/
STORM PANEL

FEATURES

- ◇ Commercial Framing System
 - 3 1/4" main frame
 - 0.094" wall thickness of interior and exterior walls, 0.078" wall thickness elsewhere
- ◇ Thermally Enhanced Design
 - Azon pour and debridge thermal break is 1/2" wide in all main frame and vent rail extrusions
 - Assembled with heavy duty Monticelli cast aluminum corner keys
 - Mitered and pressure sealed internally with injected silicone through corner key passages. Wrap-around marine glazing
 - Blinds/Storm Panel applied to interior
- ◇ Glazing
 - 1" insulated glass
- ◇ Hardware
 - Low profile cam handle
 - Low profile with custodial key
 - Adjustment pole operator
 - Springload self-catching
- ◇ Screen
 - Extruded aluminum screen frame with BetterVue™ mesh with Watershed® technology

OPTIONS

- ◇ Available Configurations
 - Project-in hopper
- ◇ Muntin Choices
 - Internal or simulated divided lites available
- ◇ Limited travel hardware
- ◇ Nailing Fin
- ◇ Screen
 - Extruded aluminum screen frame with aluminum wire mesh
 - Extruded aluminum screen frame with sunscreen mesh
 - Extruded aluminum screen frame with stainless steel 0.009" thickness mesh
- ◇ Glazing
 - Multiple Low-E and argon glazing choices
 - Capillary tubes
 - Wide variety of glazing, tinting and thickness options
- ◇ Panning & Trim Choices
 - Wide variety of panning, receptor and trim available
- ◇ Mulling
 - Wide variety of structural mulls

BENEFITS

- ◇ The capacity to match exterior colors for unique project facades
- ◇ The ability to facilitate large sizes for taller and wider window openings

PERFORMANCE

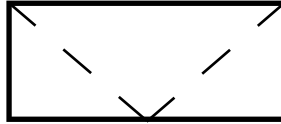
- ◇ Structural & Thermal (test reports or thermal simulations available upon request)

Model	E600 Project-In (Hopper)
Test Size	60" x 36"
NAFS Rating	AW-PG70
Structural Load P.S.F.	105.26
Air Infiltration	<0.10
Water (No Penetration) P.S.F.	12.11
U-Value (ranges based on multiple Low-E/Argon combinations)	0.32-0.37
SHGC (ranges based on multiple Low-E/Argon combinations)	0.12-0.41

Operating Force: 12 lbf (maintain motion), 9 lbf (latches)

Our products are tested to the standards of and certified by some of the foremost organizations in the fenestration industry.



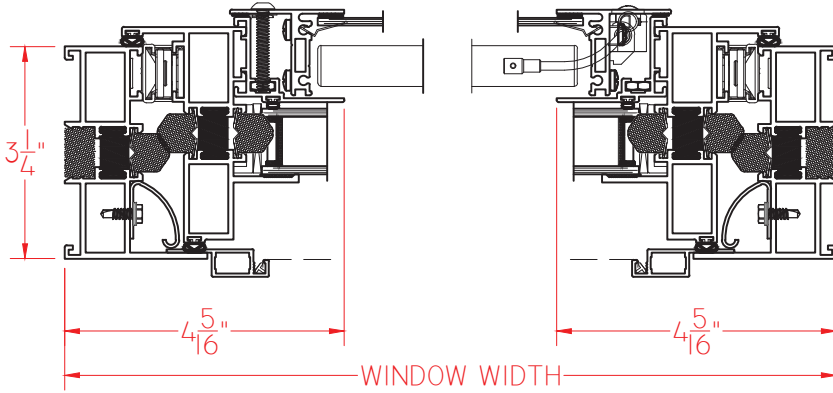


E600 Series With Blinds/Storm Panel 3 1/4" Frame Depth Project-In (Hopper)

E600 PROJECT-IN

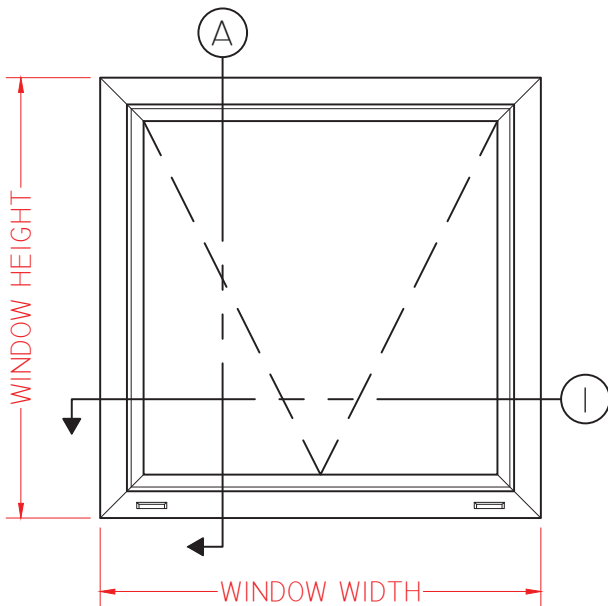
WITH BLINDS/ STORM PANEL

This document contains confidential and proprietary information intended for the private use of Quaker.
© 2016 Quaker Window Products Co., INC. All rights reserved.
Quaker reserves the right to change any/all designs without notice. Due to periodic re-certification requirements, result shown may vary.

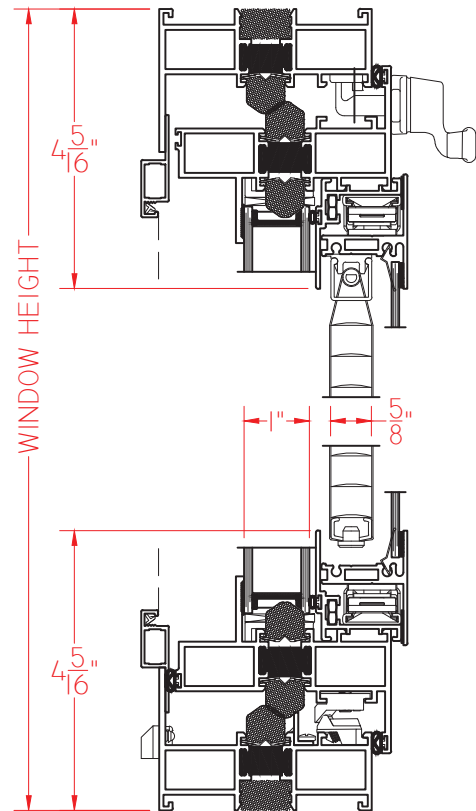


① HORIZONTAL
CROSS SECTION

Ⓐ VERTICAL
CROSS SECTION



ELEVATION SCALE 3/4" = 1'-0"



SCALE 1:3

Our products are tested to the standards of and certified by some of the foremost organizations in the fenestration industry.

