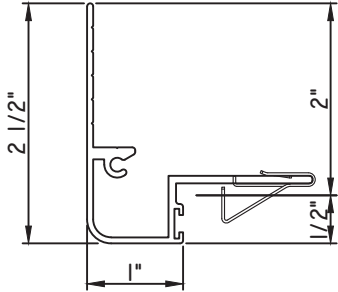


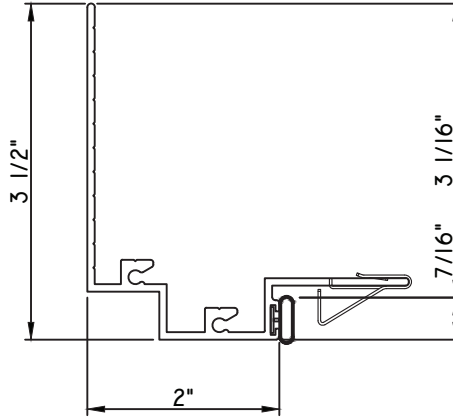


ALUMINUM PRESET PANNINGS M600 - CASEMENT & PROJECT-OUT

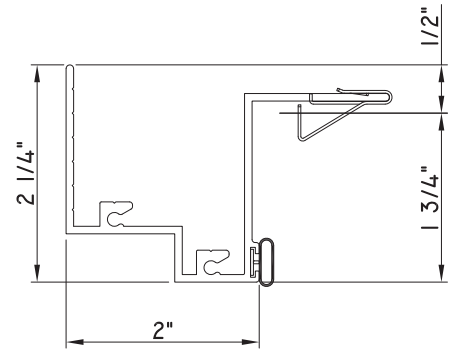
All information seen within this document are considered current. However periodic changes/updates to our products are necessary. Quaker Window Products Inc. reserves the right to change any information without notice.



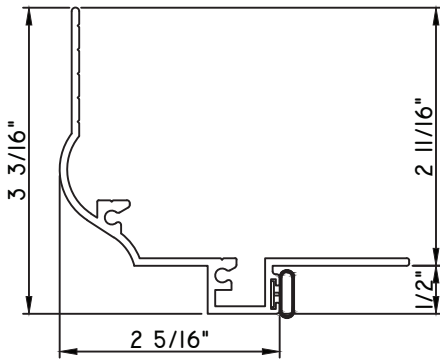
PRESET PANNING
M23977 - PANNING
BPN-9159 - W.S.
1974 - CLIP
MH8-18X1 LP - FASTENER (QTY. 4)



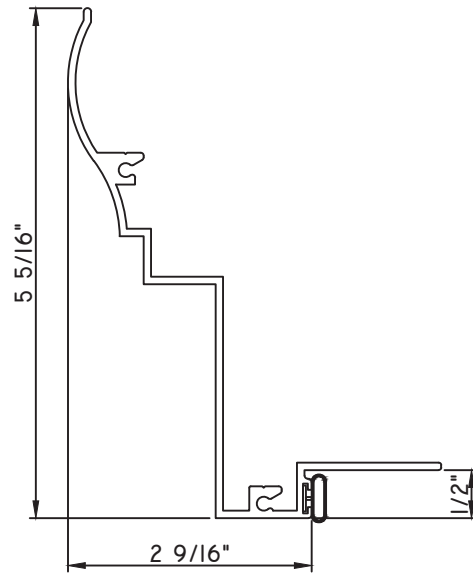
PRESET PANNING
M23648-18 - PANNING
BPN-9159 - W.S.
MH8-18X1 LP - FASTENER (QTY. 8)
1974 - CLIP
(6" FROM EACH CORNER & 20" O.C.)



PRESET PANNING
M25906 - PANNING
BPN-9159 - W.S.
MH8-18X1 LP - FASTENER (QTY. 4)
1974 - CLIP
(6" FROM EACH CORNER & 20" O.C.)



PRESET PANNING
M25335 - PANNING
BPN-9159 - W.S.
MH8-18X1 LP - FASTENER (QTY. 8)
1974 - CLIP
(6" FROM EACH CORNER & 20" O.C.)
NEW DIE



PRESET PANNING
M25334 - PANNING
BPN-9159 - W.S.
MH8-18X1 LP - FASTENER (QTY. 8)
1974 - CLIP
(6" FROM EACH CORNER & 20" O.C.)
NEW DIE

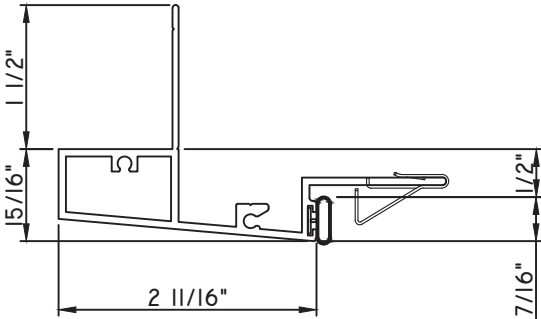
Our products are tested to the standards of and certified by some of the foremost organizations in the fenestration industry.



SCALE 1:2

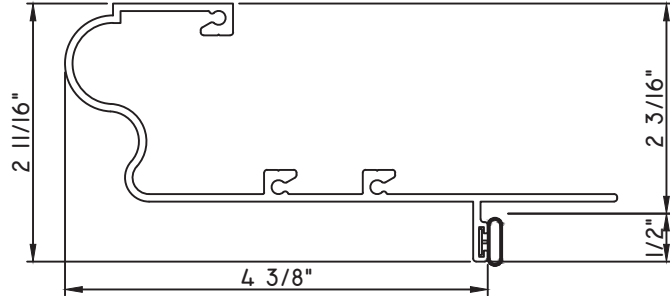


ALUMINUM PRESET PANNINGS M600 - CASEMENT & PROJECT-OUT



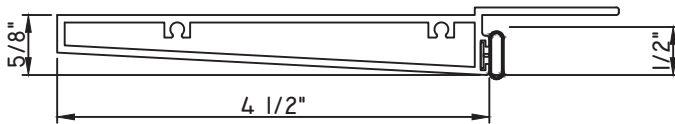
PRESET PANNING

M23753 - PANNING
BPN-9159 - W.S.
MH8-18X1 LP - FASTENER (QTY. 8)
1974 - CLIP
(6" FROM EACH CORNER & 20" O.C.)



PRESET PANNING

M23890 - PANNING
BPN-9159 - W.S.
MH8-18X1 LP - FASTENER (QTY. 8)
1974 - CLIP
(6" FROM EACH CORNER & 20" O.C.)



PRESET PANNING

M23850 - PANNING
BPN-9159 - W.S.
MH8-18X1 LP - FASTENER (QTY. 8)
1974 - CLIP
(6" FROM EACH CORNER & 20" O.C.)

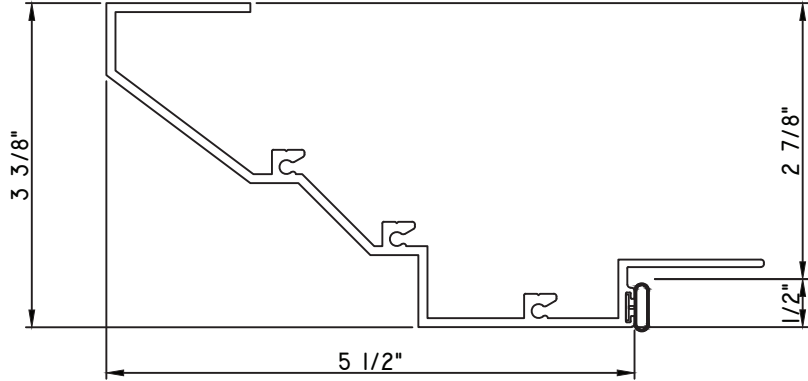
SCALE 1:2

Our products are tested to the standards of and certified by some of the foremost organizations in the fenestration industry.





ALUMINUM PRESET PANNINGS M600 - CASEMENT & PROJECT-OUT



PRESET PANNING
M23631 - PANNING
BPN-9159 - W.S.
MH8-18X1 LP - FASTENER (QTY. 8)

Our products are tested to the standards of and certified by some of the foremost organizations in the fenestration industry.



SCALE 1:2