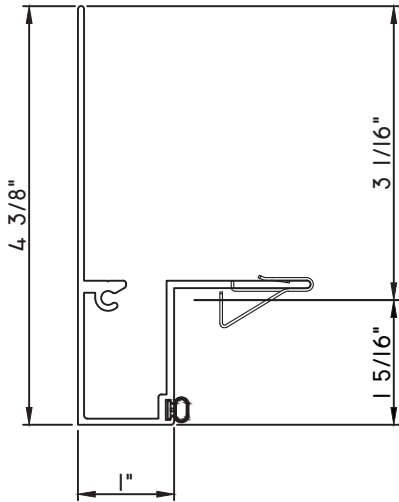




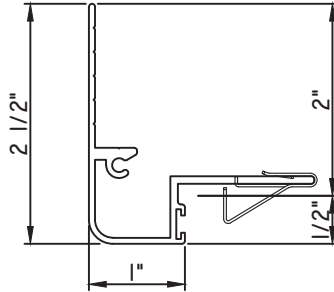
# ALUMINUM PRESET PANNINGS E600/T600 INSWING CASEMENT & PROJECT-IN (HOPPER)

All information seen within this document are considered current. However periodic changes/updates to our products are necessary. Quaker Window Products Inc. reserves the right to change any information without notice.



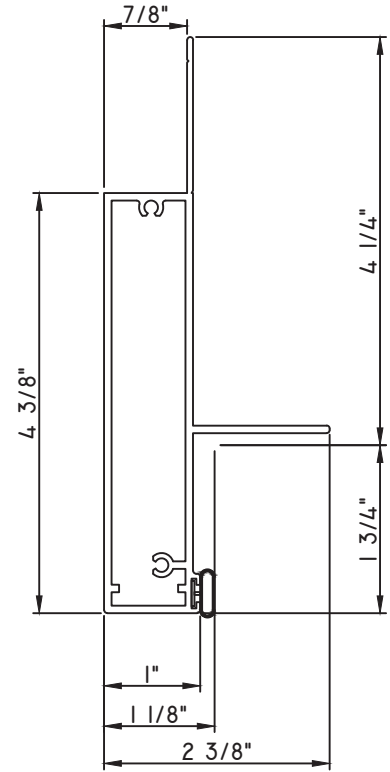
### PRESET PANNING

M20505 - PANNING  
9146E - W.S.  
1974 - CLIP  
MH8-18X1 LP - FASTENER (QTY. 4)



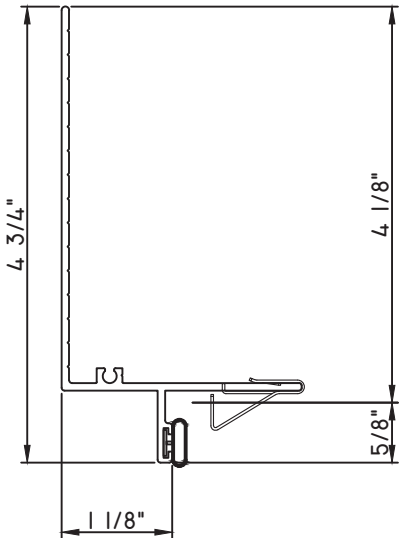
### PRESET PANNING

M23977 - PANNING  
BPN-9159 - W.S.  
1974 - CLIP  
MH8-18X1 LP - FASTENER (QTY. 4)



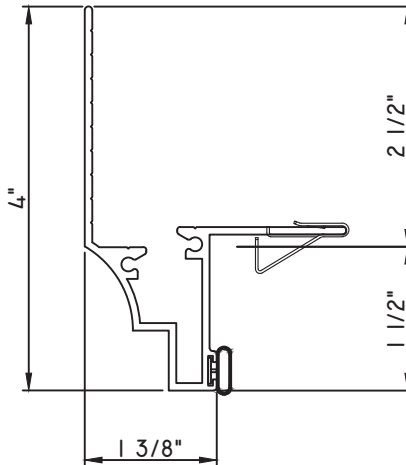
### PRESET PANNING

M24692 - PANNING



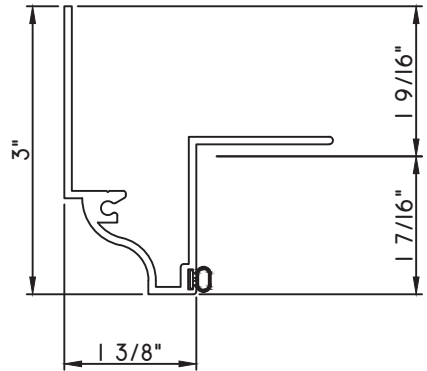
### PRESET PANNING

M17748 - PANNING  
BPN-9159 - W.S.  
MH8-18X1 LP - FASTENER (QTY. 4)  
1974 - CLIP  
(6" FROM EACH CORNER & 20" O.C.)



### PRESET PANNING

M24943 - PANNING  
BPN-9159 - W.S.  
MH8-18X1 LP - FASTENER (QTY. 4)  
1974 - CLIP  
(6" FROM EACH CORNER & 20" O.C.)



### PRESET PANNING

M20949 - PANNING  
9146E - W.S.  
1974 - CLIP  
MH8-18X1 LP - FASTENER (QTY. 4)

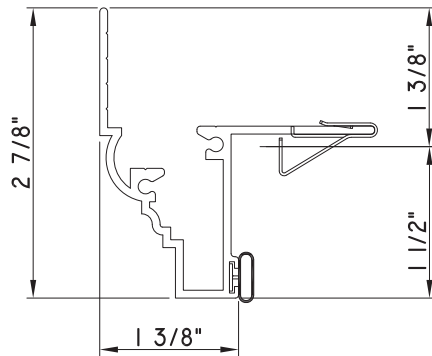
SCALE 1:2

Our products are tested to the standards of and certified by some of the foremost organizations in the fenestration industry.

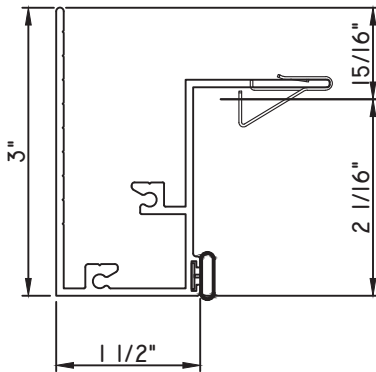




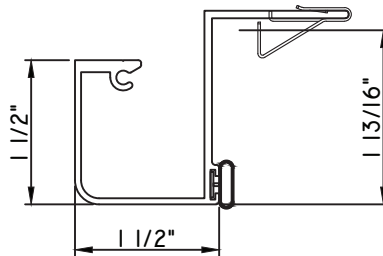
# ALUMINUM PRESET PANNINGS E600/T600 INSWING CASEMENT & PROJECT-IN (HOPPER)



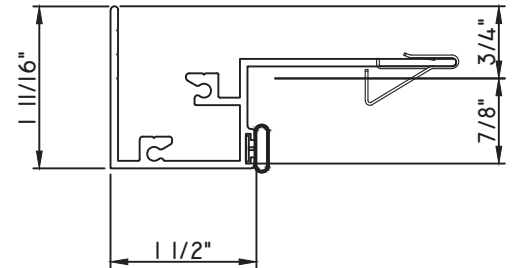
**PRESET PANNING**  
 M26031 - PANNING  
 BPN-9159 - W.S.  
 MH8-18X1 LP - FASTENER (QTY. 8)  
 1974 - CLIP  
 (6" FROM EACH CORNER & 20" O.C.)



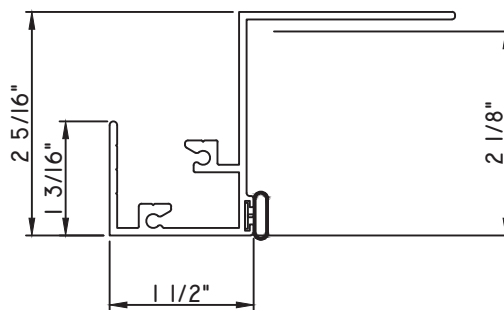
**PRESET PANNING**  
 M21662 - PANNING  
 BPN-9159 - W.S.  
 MH8-18X1 LP - FASTENER (QTY. 8)  
 1974 - CLIP  
 (6" FROM EACH CORNER & 20" O.C.)



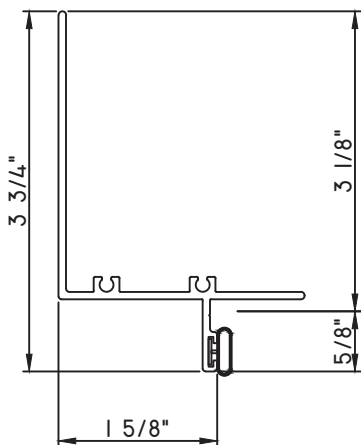
**PRESET PANNING**  
 M22325 - PANNING  
 BPN-9159 - W.S.  
 MH8-18X1 LP - FASTENER (QTY. 4)  
 1974 - CLIP  
 (6" FROM EACH CORNER & 20" O.C.)



**PRESET PANNING**  
 M22278 - PANNING  
 BPN-9159 - W.S.  
 MH8-18X1 LP - FASTENER (QTY. 8)



**PRESET PANNING**  
 M22279 - PANNING  
 BPN-9159 - W.S.  
 MH8-18X1 LP - FASTENER (QTY. 8)



**PRESET PANNING**  
 M14957 - PANNING  
 BPN-9159 - W.S.  
 MH8-18X1 LP - FASTENER (QTY. 8)

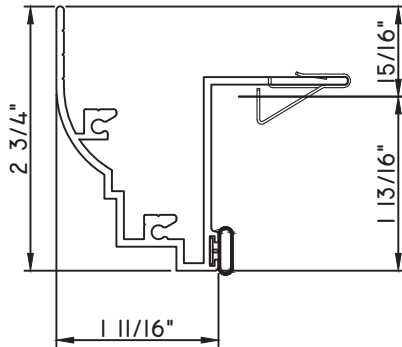
SCALE 1:2

Our products are tested to the standards of and certified by some of the foremost organizations in the fenestration industry.

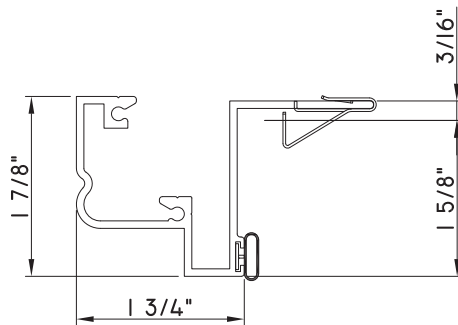




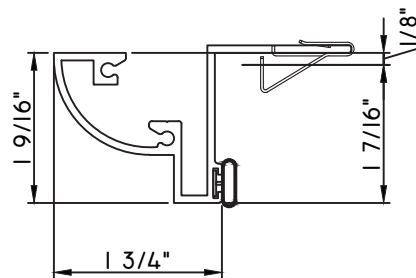
# ALUMINUM PRESET PANNINGS E600/T600 INSWING CASEMENT & PROJECT-IN (HOPPER)



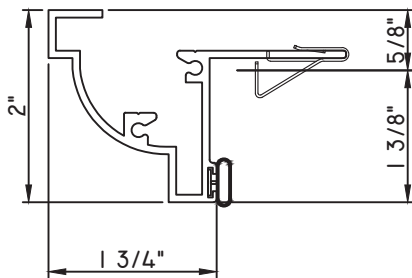
**PRESET PANNING**  
M17940 - PANNING  
BPN-9159 - W.S.  
MH8-18X1 LP - FASTENER (QTY. 8)  
1974 - CLIP  
(6" FROM EACH CORNER & 20" O.C.)



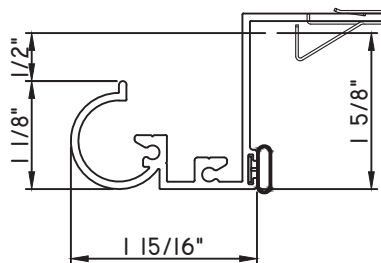
**PRESET PANNING**  
M25844 - PANNING  
BPN-9159 - W.S.  
MH8-18X1 LP - FASTENER (QTY. 8)  
1974 - CLIP  
(6" FROM EACH CORNER & 20" O.C.)



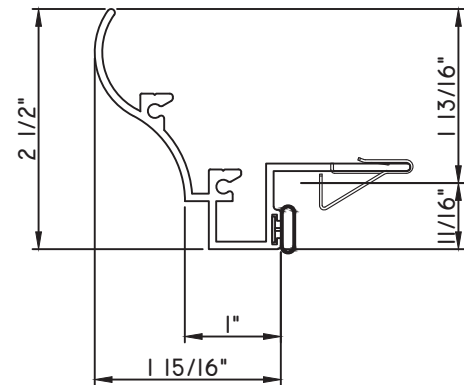
**PRESET PANNING**  
M23569 - PANNING  
BPN-9159 - W.S.  
MH8-18X1 LP - FASTENER (QTY. 8)  
1974 - CLIP  
(6" FROM EACH CORNER & 20" O.C.)



**PRESET PANNING**  
M24925 - PANNING  
BPN-9159 - W.S.  
MH8-18X1 LP - FASTENER (QTY. 8)  
1974 - CLIP  
(6" FROM EACH CORNER & 20" O.C.)



**PRESET PANNING**  
M18244 - PANNING  
BPN-9159 - W.S.  
MH8-18X1 LP - FASTENER (QTY. 8)  
1974 - CLIP  
(6" FROM EACH CORNER & 20" O.C.)



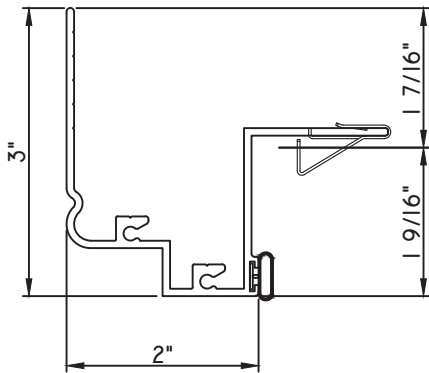
**PRESET PANNING**  
M22885 - PANNING  
BPN-9159 - W.S.  
MH8-18X1 LP - FASTENER (QTY. 8)  
1974 - CLIP  
(6" FROM EACH CORNER & 20" O.C.)

Our products are tested to the standards of and certified by some of the foremost organizations in the fenestration industry.



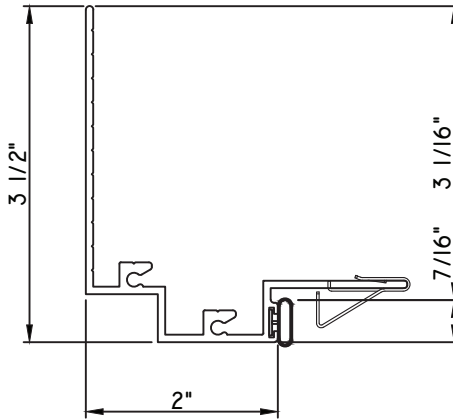
SCALE 1:2

# ALUMINUM PRESET PANNINGS E600/T600 INSWING CASEMENT & PROJECT-IN (HOPPER)



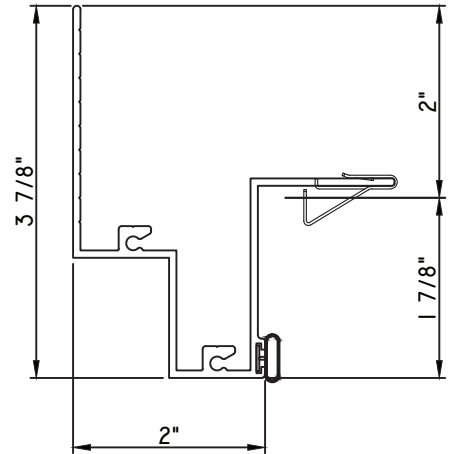
### PRESET PANNING

M21663 - PANNING  
BPN-9159 - W.S.  
MH8-18X1 LP - FASTENER (QTY. 8)  
1974 - CLIP  
(6" FROM EACH CORNER & 20" O.C.)



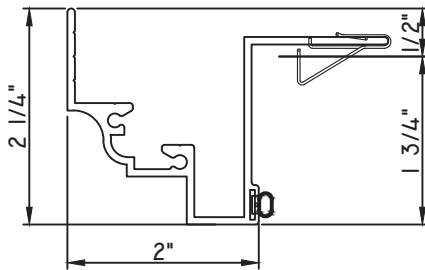
### PRESET PANNING

M23648-18 - PANNING  
BPN-9159 - W.S.  
MH8-18X1 LP - FASTENER (QTY. 8)  
1974 - CLIP  
(6" FROM EACH CORNER & 20" O.C.)



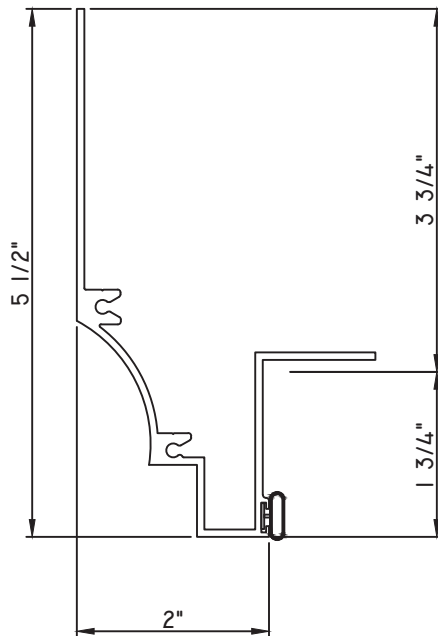
### PRESET PANNING

M22100 - PANNING  
BPN-9159 - W.S.  
MH8-18X1 LP - FASTENER (QTY. 8)  
1974 - CLIP  
(6" FROM EACH CORNER & 20" O.C.)



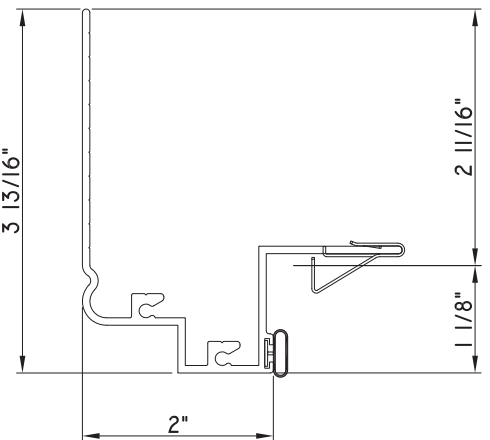
### PRESET PANNING

M24468 - PANNING  
9146E - W.S.



### PRESET PANNING

M20747 - PANNING

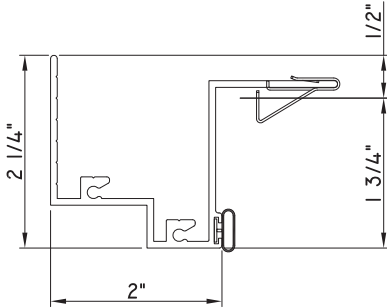


### PRESET PANNING

M25863 - PANNING  
BPN-9159 - W.S.  
MH8-18X1 LP - FASTENER (QTY. 8)  
1974 - CLIP  
(6" FROM EACH CORNER & 20" O.C.)

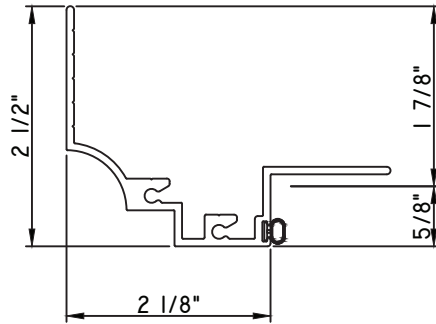


# ALUMINUM PRESET PANNINGS E600/T600 INSWING CASEMENT & PROJECT-IN (HOPPER)



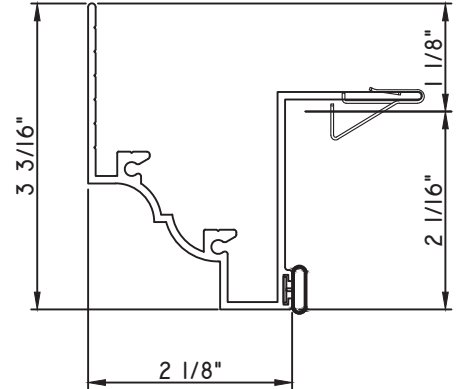
## PRESET PANNING

M25906 - PANNING  
BPN-9159 - W.S.  
MH8-18X1 LP - FASTENER (QTY. 4)  
1974 - CLIP  
(6" FROM EACH CORNER & 20" O.C.)



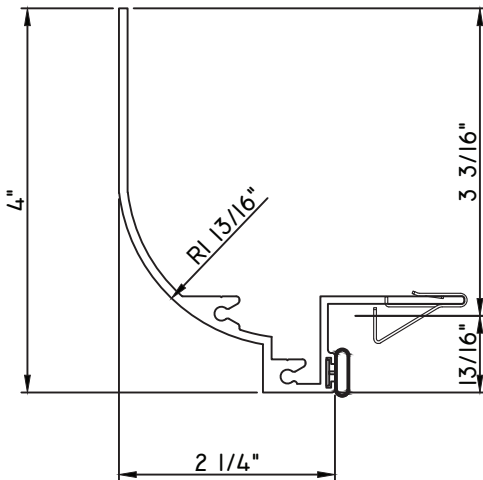
## PRESET PANNING

M22415 - PANNING  
9146E - W.S.  
MH8-18X1 LP - FASTENER (QTY. 8)



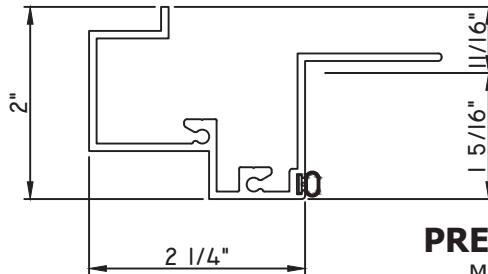
## PRESET PANNING

M24593 - PANNING



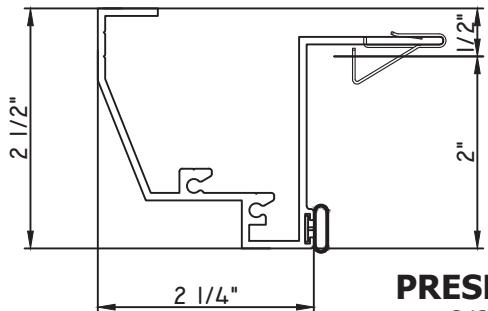
## PRESET PANNING

M19663 - PANNING  
BPN-9159 - W.S.  
MH8-18X1 LP - FASTENER (QTY. 8)  
1974 - CLIP  
(6" FROM EACH CORNER & 20" O.C.)



## PRESET PANNING

M22319 - PANNING  
9146E - W.S.  
MH8-18X1 LP - FASTENER (QTY. 8)



## PRESET PANNING

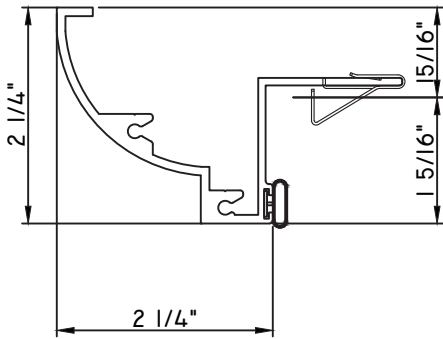
24268 - PANNING  
BPN-9159 - W.S.  
MH8-18X1 LP - FASTENER (QTY. 8)  
1974 - CLIP

Our products are tested to the standards of and certified by some of the foremost organizations in the fenestration industry.

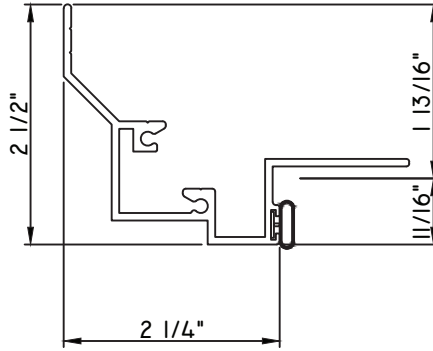


SCALE 1:2

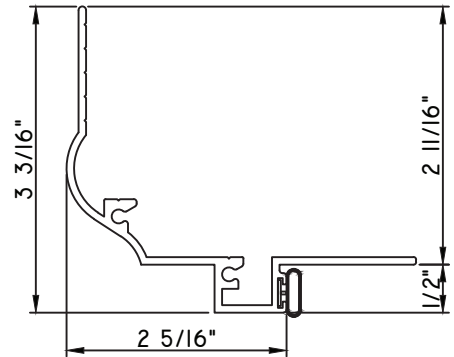
# ALUMINUM PRESET PANNINGS E600/T600 INSWING CASEMENT & PROJECT-IN (HOPPER)



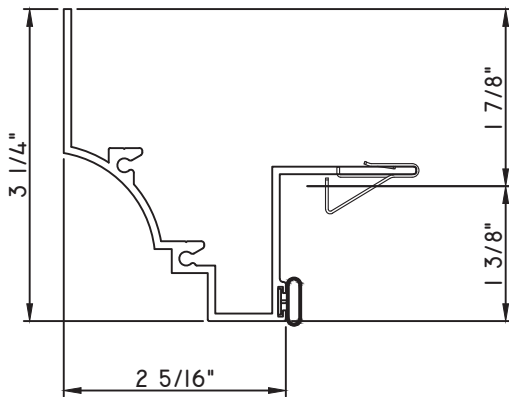
**PRESET PANNING**  
20616 - PANNING



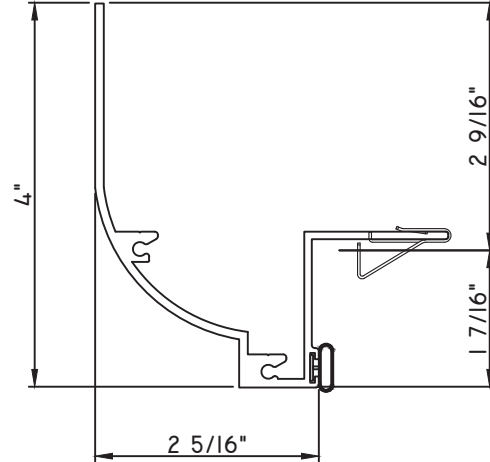
**PRESET PANNING**  
M22884 - PANNING  
BPN-9159 - W.S.  
MH8-18X1 LP - FASTENER (QTY. 8)  
1974 - CLIP  
(6" FROM EACH CORNER & 20" O.C.)



**PRESET PANNING**  
M25335 - PANNING  
BPN-9159 - W.S.  
MH8-18X1 LP - FASTENER (QTY. 8)  
1974 - CLIP  
(6" FROM EACH CORNER & 20" O.C.)  
NEW DIE



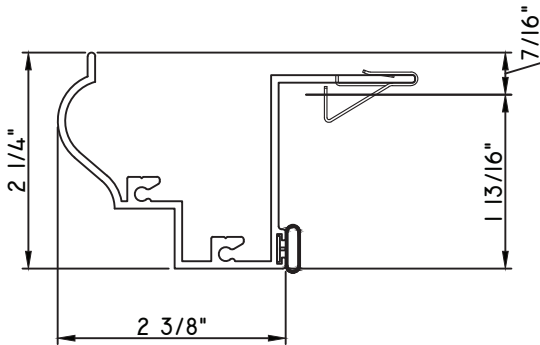
**PRESET PANNING**  
M20627 - PANNING  
BPN-9159 - W.S.  
MH8-18X1 LP - FASTENER (QTY. 8)  
1974 - CLIP  
(6" FROM EACH CORNER & 20" O.C.)



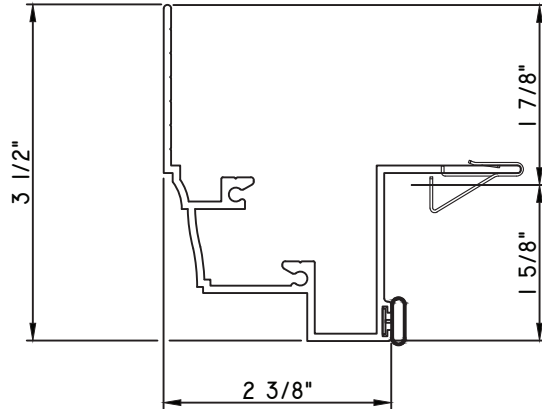
**PRESET PANNING**  
M22258 - PANNING  
BPN-9159 - W.S.  
MH8-18X1 LP - FASTENER (QTY. 8)  
1974 - CLIP  
(6" FROM EACH CORNER & 20" O.C.)

SCALE 1:2

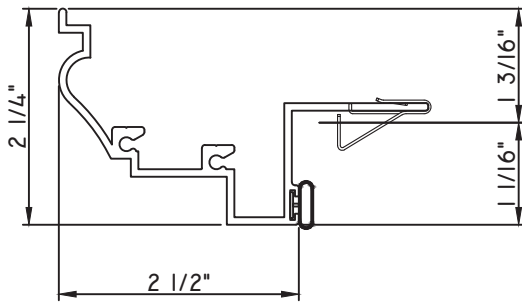
# ALUMINUM PRESET PANNINGS E600/T600 INSWING CASEMENT & PROJECT-IN (HOPPER)



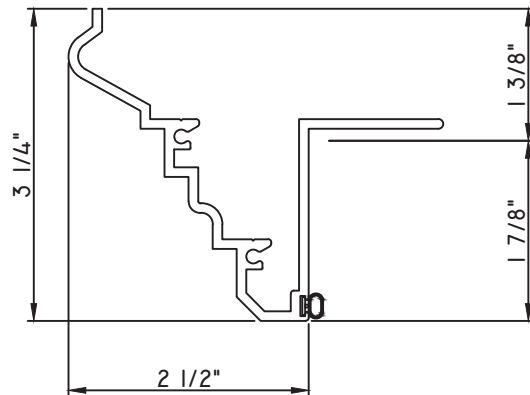
**PRESET PANNING**  
M17826 - PANNING  
BPN-9159 - W.S.  
MH8-18X1 LP - FASTENER (QTY. 8)  
1974 - CLIP  
(6" FROM EACH CORNER & 20" O.C.)



**PRESET PANNING**  
M24836 - PANNING  
BPN-9159 - W.S.  
MH8-18X1 LP - FASTENER (QTY. 8)  
1974 - CLIP  
(6" FROM EACH CORNER & 20" O.C.)



**PRESET PANNING**  
M21993 - PANNING  
BPN-9159 - W.S.  
MH8-18X1 LP - FASTENER (QTY. 8)  
1974 - CLIP  
(6" FROM EACH CORNER & 20" O.C.)

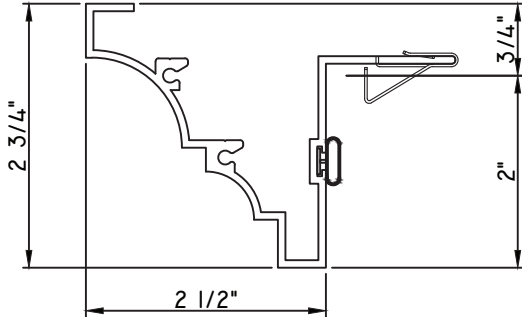


**PRESET PANNING**  
M21902 - PANNING  
9146E - W.S.  
MH8-18X1 LP - FASTENER (QTY. 8)

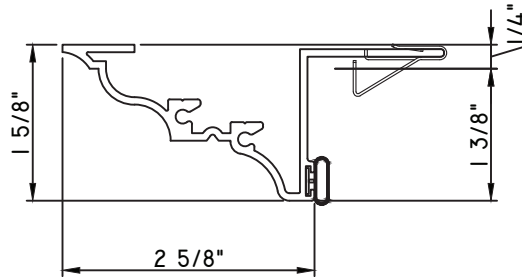
SCALE 1:2



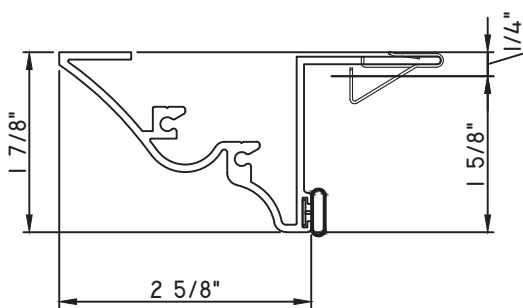
# ALUMINUM PRESET PANNINGS E600/T600 INSWING CASEMENT & PROJECT-IN (HOPPER)



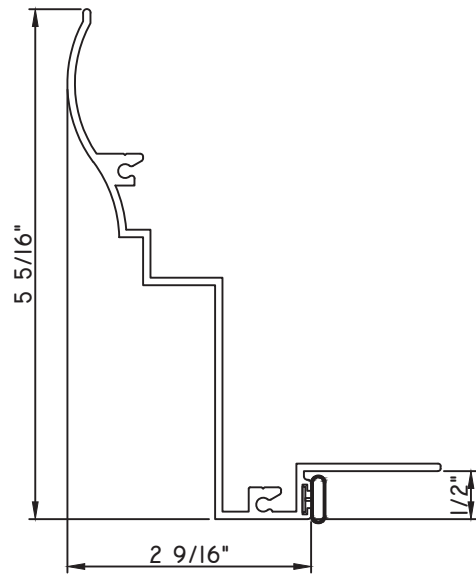
**PRESET PANNING**  
M24892 - PANNING  
BPN-9159 - W.S.  
MH8-18X1 LP - FASTENER (QTY. 8)  
1974 - CLIP  
(6" FROM EACH CORNER & 20" O.C.)



**PRESET PANNING**  
M23650 - PANNING  
BPN-9159 - W.S.  
MH8-18X1 LP - FASTENER (QTY. 8)  
1974 - CLIP  
(6" FROM EACH CORNER & 20" O.C.)



**PRESET PANNING**  
M23649 - PANNING  
BPN-9159 - W.S.  
MH8-18X1 LP - FASTENER (QTY. 8)  
1974 - CLIP  
(6" FROM EACH CORNER & 20" O.C.)



**PRESET PANNING**  
M25334 - PANNING  
BPN-9159 - W.S.  
MH8-18X1 LP - FASTENER (QTY. 8)  
1974 - CLIP  
(6" FROM EACH CORNER & 20" O.C.)  
NEW DIE

SCALE 1:2

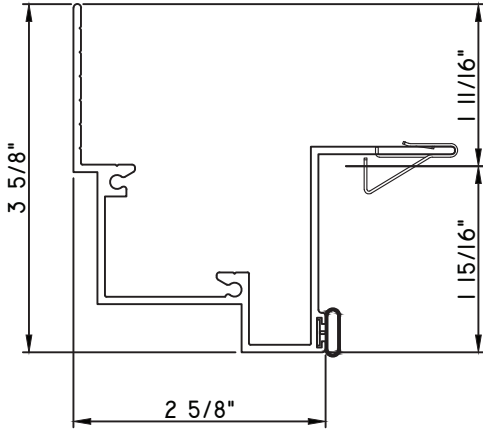
Our products are tested to the standards of and certified by some of the foremost organizations in the fenestration industry.



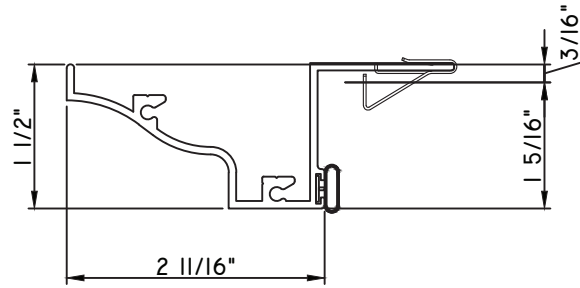




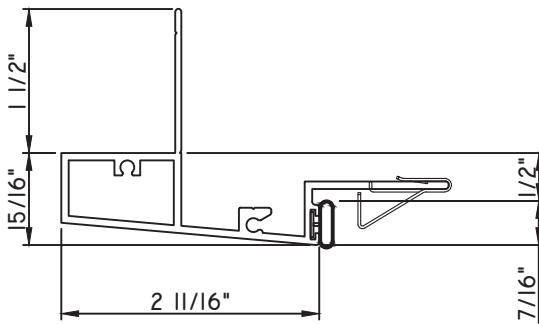
# ALUMINUM PRESET PANNINGS E600/T600 INSWING CASEMENT & PROJECT-IN (HOPPER)



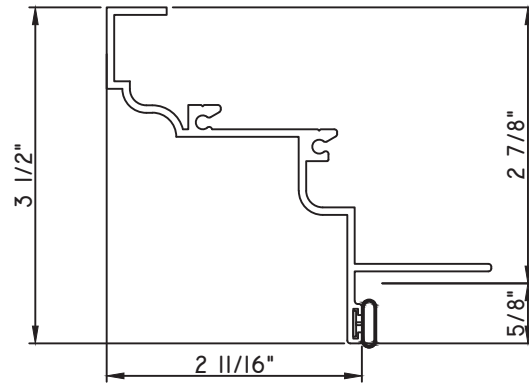
**PRESET PANNING**  
M24251 - PANNING  
BPN-9159 - W.S.  
MH8-18X1 LP - FASTENER (QTY. 8)  
1974 - CLIP  
(6" FROM EACH CORNER & 20" O.C.)



**PRESET PANNING**  
M17941 - PANNING  
BPN-9159 - W.S.  
MH8-18X1 LP - FASTENER (QTY. 8)  
1974 - CLIP  
(6" FROM EACH CORNER & 20" O.C.)



**PRESET PANNING**  
M23753 - PANNING  
BPN-9159 - W.S.  
MH8-18X1 LP - FASTENER (QTY. 8)  
1974 - CLIP  
(6" FROM EACH CORNER & 20" O.C.)



**PRESET PANNING**  
M24467 - PANNING  
BPN-9159 - W.S.

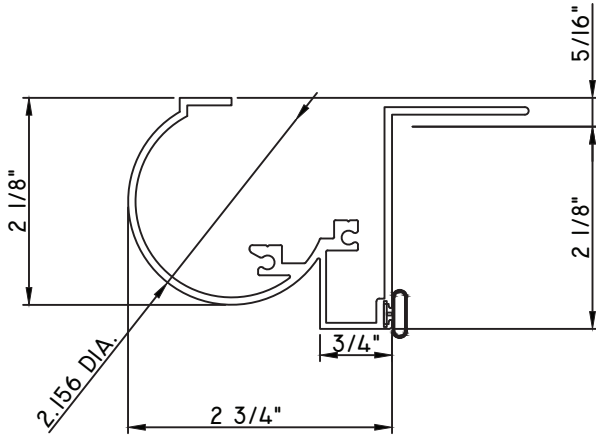
SCALE 1:2

Our products are tested to the standards of and certified by some of the foremost organizations in the fenestration industry.

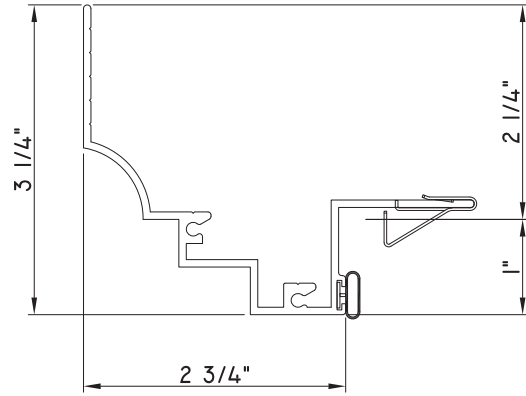




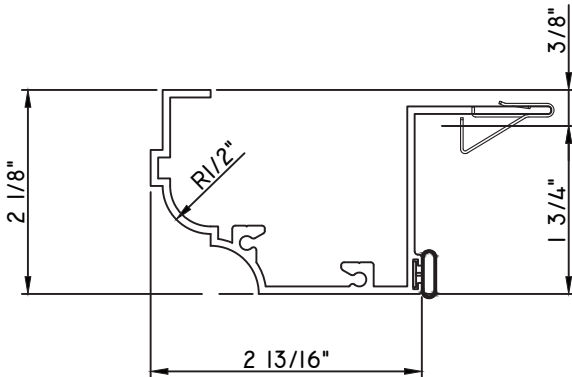
# ALUMINUM PRESET PANNINGS E600/T600 INSWING CASEMENT & PROJECT-IN (HOPPER)



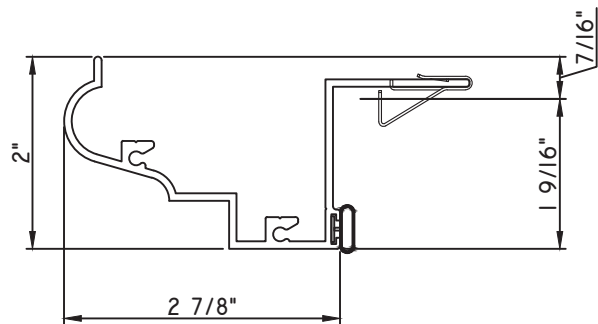
**PRESET PANNING**  
M21366 - PANNING



**PRESET PANNING**  
M25598 - PANNING  
BPN-9159 - W.S.  
MH8-18X1 LP - FASTENER (QTY. 8)  
1974 - CLIP  
(6" FROM EACH CORNER & 20" O.C.)



**PRESET PANNING**  
M24798 - PANNING  
BPN-9159 - W.S.  
MH8-18X1 LP - FASTENER (QTY. 4)  
1974 - CLIP  
(6" FROM EACH CORNER & 20" O.C.)



**PRESET PANNING**  
M17825 - PANNING  
BPN-9159 - W.S.  
MH8-18X1 LP - FASTENER (QTY. 8)  
1974 - CLIP  
(6" FROM EACH CORNER & 20" O.C.)

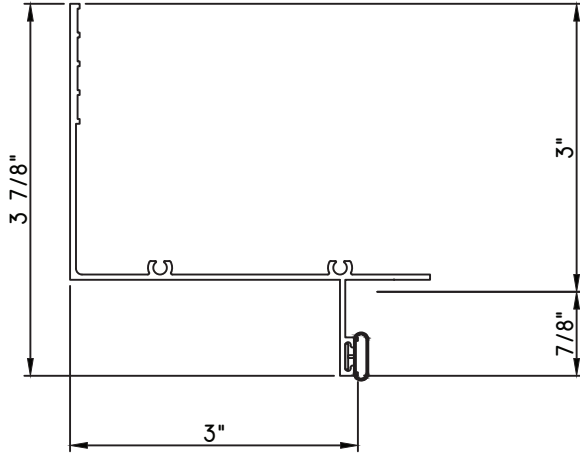
SCALE 1:2

Our products are tested to the standards of and certified by some of the foremost organizations in the fenestration industry.

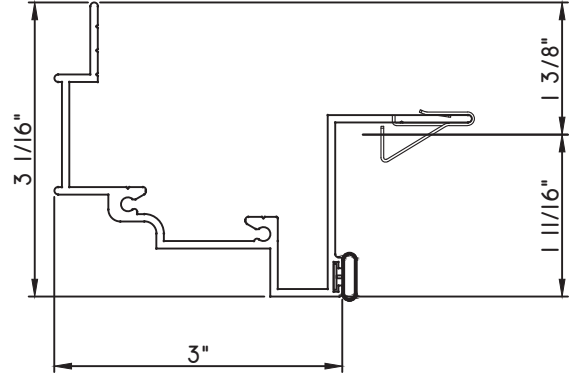




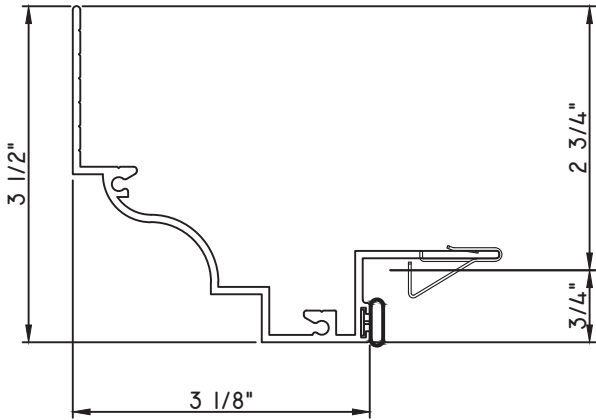
# ALUMINUM PRESET PANNINGS E600/T600 INSWING CASEMENT & PROJECT-IN (HOPPER)



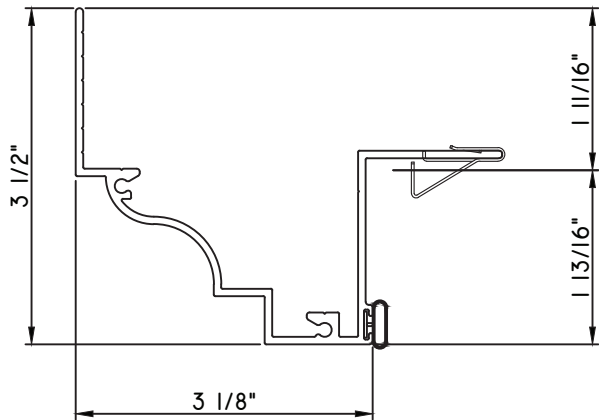
**PRESET PANNING**  
M6938 - PANNING  
BPN-9159 - W.S.  
MH8-18X1 LP - FASTENER (QTY. 8)



**PRESET PANNING**  
M18315 - PANNING  
BPN-9159 - W.S.  
MH8-18X1 LP - FASTENER (QTY. 8)  
1974 - CLIP  
(6" FROM EACH CORNER & 20" O.C.)



**PRESET PANNING**  
M22463 - PANNING  
BPN-9159 - W.S.  
MH8-18X1 LP - FASTENER (QTY. 8)  
1974 - CLIP  
(6" FROM EACH CORNER & 20" O.C.)



**PRESET PANNING**  
M18041 - PANNING  
BPN-9159 - W.S.  
MH8-18X1 LP - FASTENER (QTY. 8)  
1974 - CLIP  
(6" FROM EACH CORNER & 20" O.C.)

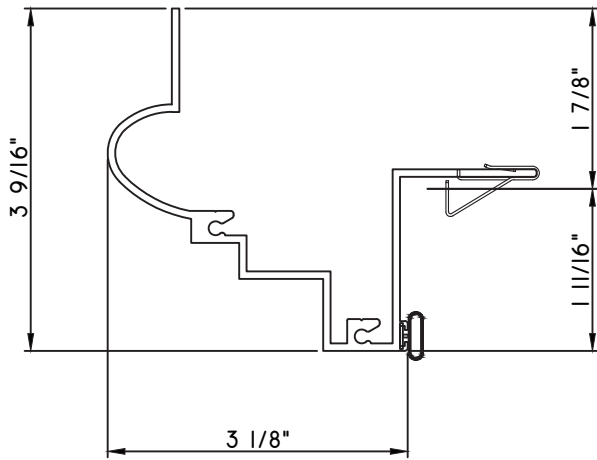
SCALE 1:2

Our products are tested to the standards of and certified by some of the foremost organizations in the fenestration industry.



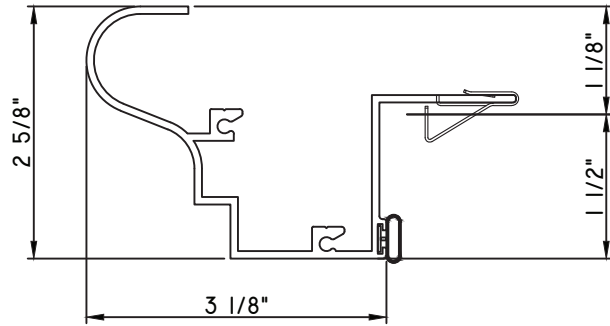


# ALUMINUM PRESET PANNINGS E600/T600 INSWING CASEMENT & PROJECT-IN (HOPPER)



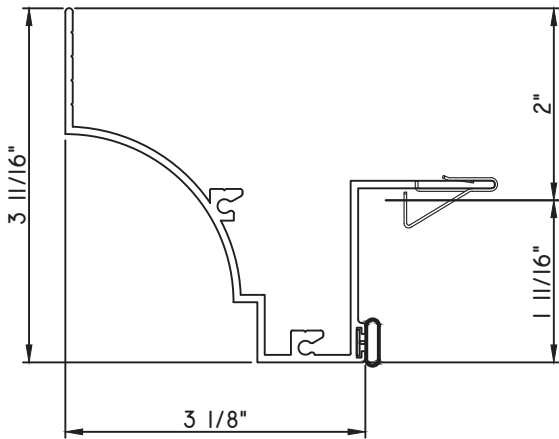
## PRESET PANNING

M21345 - PANNING  
BPN-9159 - W.S.  
MH8-18X1 LP - FASTENER (QTY. 8)  
1974 - CLIP  
(6" FROM EACH CORNER & 20" O.C.)



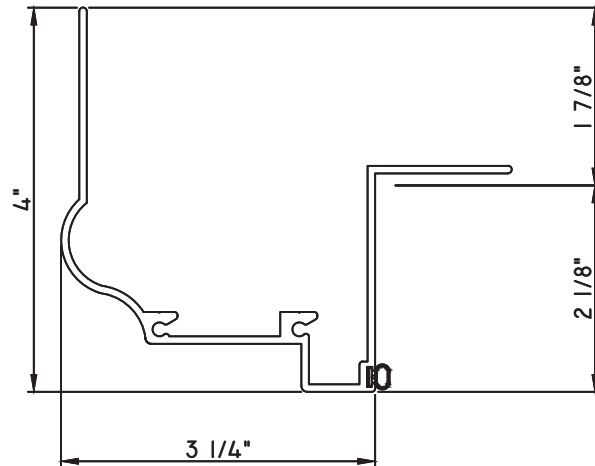
## PRESET PANNING

M25009 - PANNING  
BPN-9159 - W.S.  
MH8-18X1 LP - FASTENER (QTY. 8)  
1974 - CLIP  
(6" FROM EACH CORNER & 20" O.C.)



## PRESET PANNING

M23647 - PANNING  
BPN-9159 - W.S.  
MH8-18X1 LP - FASTENER (QTY. 8)  
1974 - CLIP  
(6" FROM EACH CORNER & 20" O.C.)



## PRESET PANNING

M2097 - PANNING  
9146E - W.S.  
MH8-18X1 LP - FASTENER (QTY. 8)

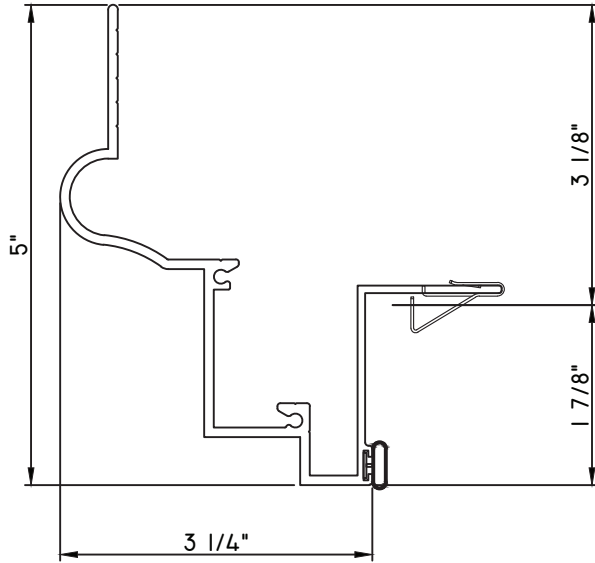
SCALE 1:2

Our products are tested to the standards of and certified by some of the foremost organizations in the fenestration industry.

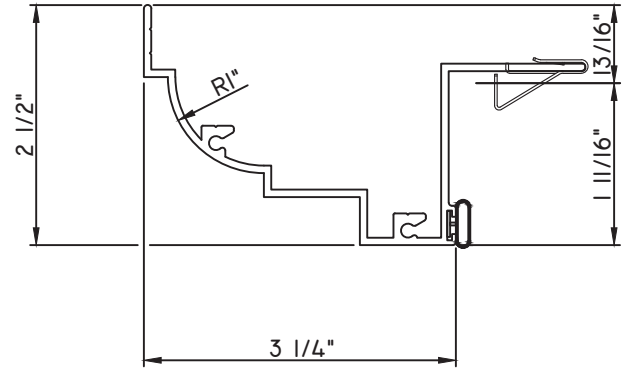




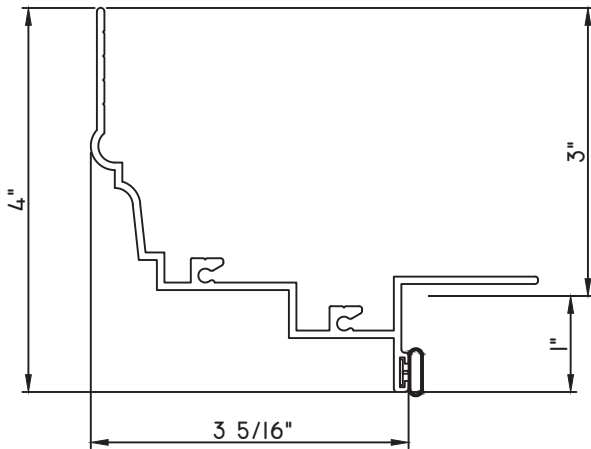
# ALUMINUM PRESET PANNINGS E600/T600 INSWING CASEMENT & PROJECT-IN (HOPPER)



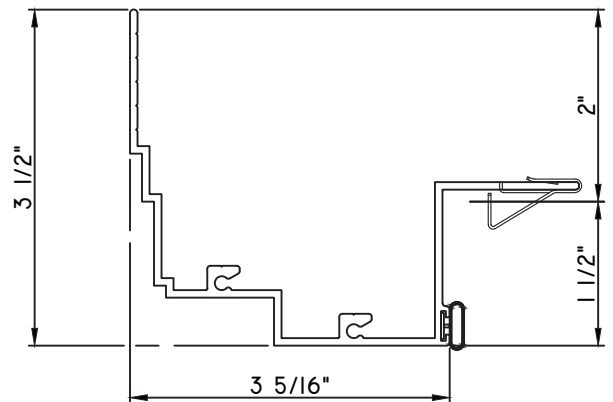
**PRESET PANNING**  
 M18070 - PANNING  
 BPN-9159 - W.S.  
 MH8-18X1 LP - FASTENER (QTY. 8)  
 1974 - CLIP  
 (6" FROM EACH CORNER & 20" O.C.)



**PRESET PANNING**  
 M22883 - PANNING



**PRESET PANNING**  
 M24427 - PANNING  
 BPN-9159 - W.S.  
 MH8-18X1 LP - FASTENER (QTY. 8)  
 1974 - CLIP  
 (6" FROM EACH CORNER & 20" O.C.)



**PRESET PANNING**  
 M24888 - PANNING  
 BPN-9159 - W.S.  
 MH8-18X1 LP - FASTENER (QTY. 8)  
 1974 - CLIP  
 (6" FROM EACH CORNER & 20" O.C.)

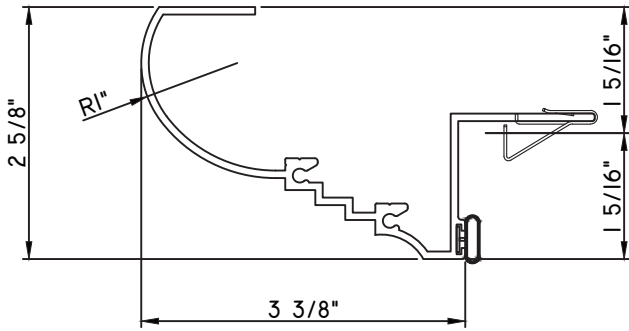
Our products are tested to the standards of and certified by some of the foremost organizations in the fenestration industry.



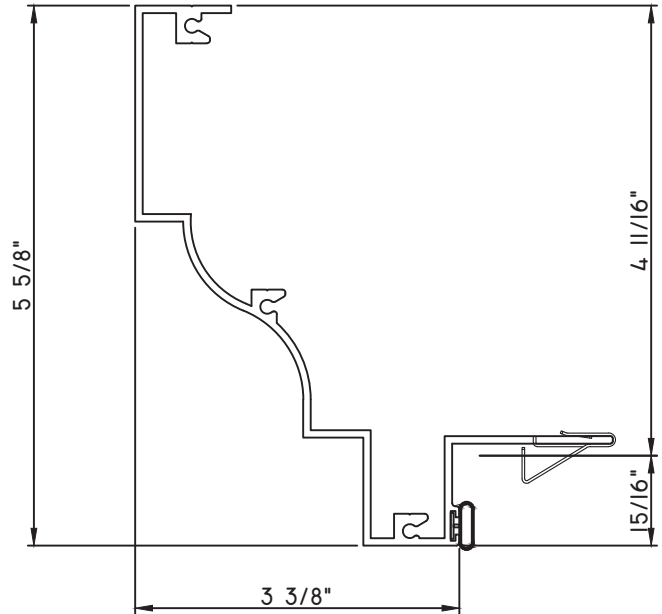
SCALE 1:2



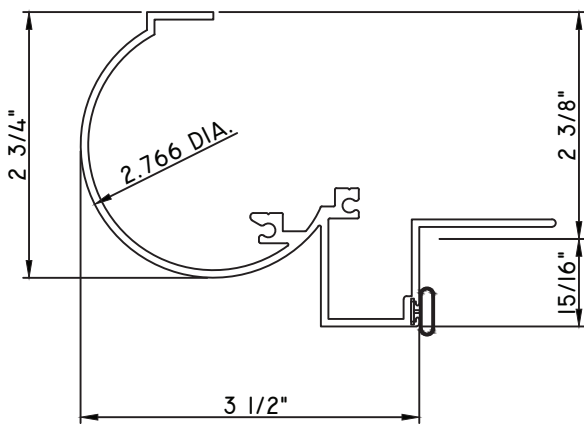
# ALUMINUM PRESET PANNINGS E600/T600 INSWING CASEMENT & PROJECT-IN (HOPPER)



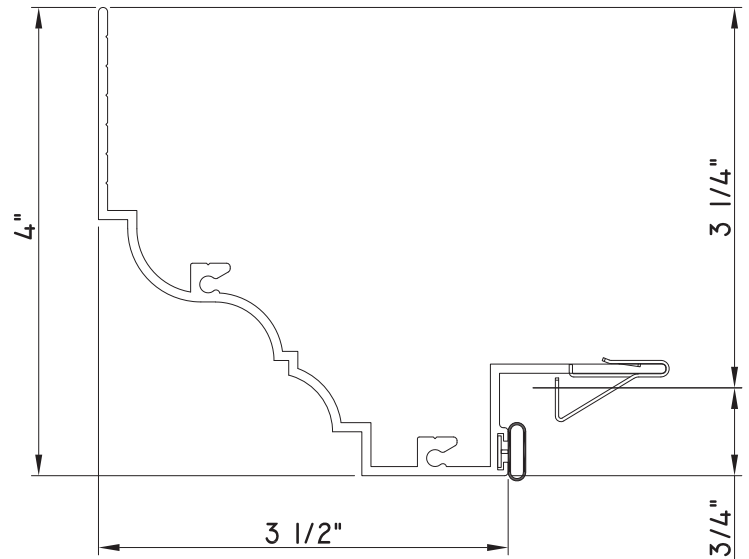
**PRESET PANNING**  
M18055 - PANNING



**PRESET PANNING**  
M20440 - PANNING



**PRESET PANNING**  
M21661 - PANNING



**PRESET PANNING**  
M26033 - PANNING  
BPN-9159 - W.S.  
MH8-18X1 LP - FASTENER (QTY. 8)  
1974 - CLIP  
(6" FROM EACH CORNER & 20" O.C.)

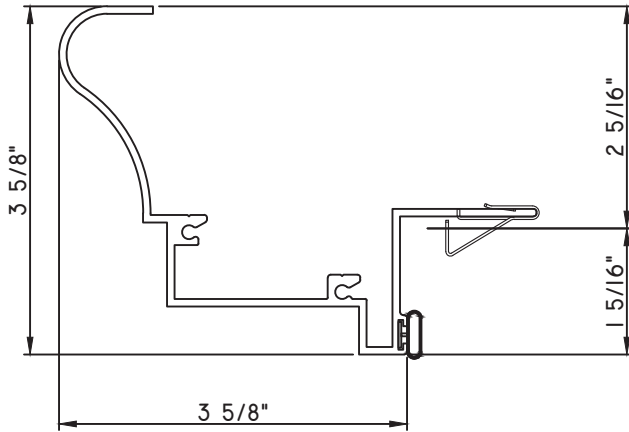
SCALE 1:2

Our products are tested to the standards of and certified by some of the foremost organizations in the fenestration industry.

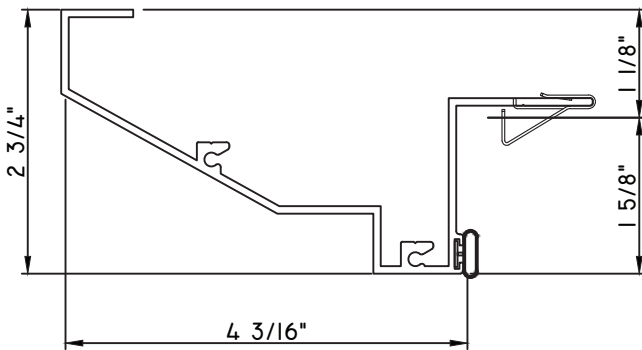




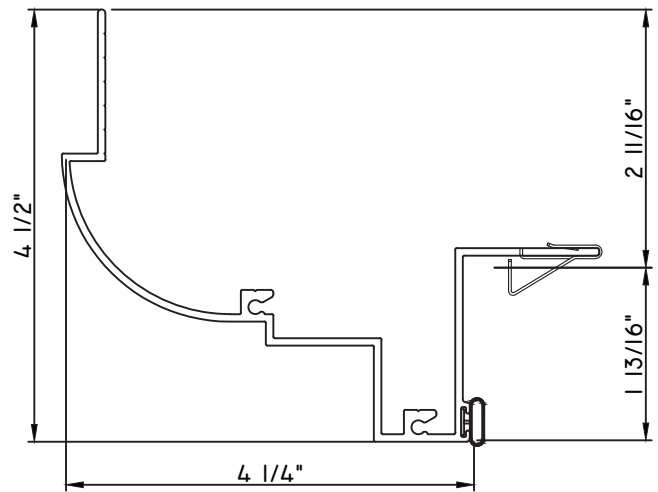
# ALUMINUM PRESET PANNINGS E600/T600 INSWING CASEMENT & PROJECT-IN (HOPPER)



**PRESET PANNING**  
 M20844 - PANNING  
 BPN-9159 - W.S.  
 MH8-18X1 LP - FASTENER (QTY. 8)  
 1974 - CLIP  
 (6" FROM EACH CORNER & 20" O.C.)



**PRESET PANNING**  
 M18294 - PANNING  
 BPN-9159 - W.S.  
 MH8-18X1 LP - FASTENER (QTY. 8)  
 1974 - CLIP  
 (6" FROM EACH CORNER & 20" O.C.)



**PRESET PANNING**  
 M3034 - PANNING  
 BPN-9159 - W.S.  
 MH8-18X1 LP - FASTENER (QTY. 8)  
 1974 - CLIP  
 (6" FROM EACH CORNER & 20" O.C.)

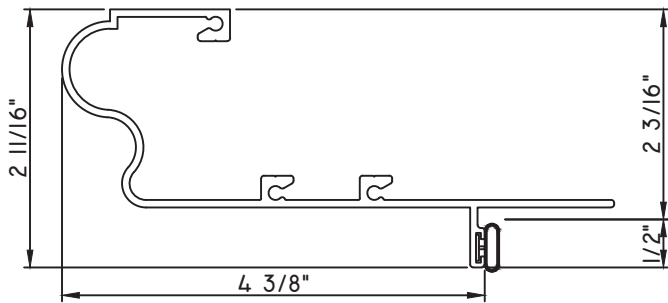
Our products are tested to the standards of and certified by some of the foremost organizations in the fenestration industry.



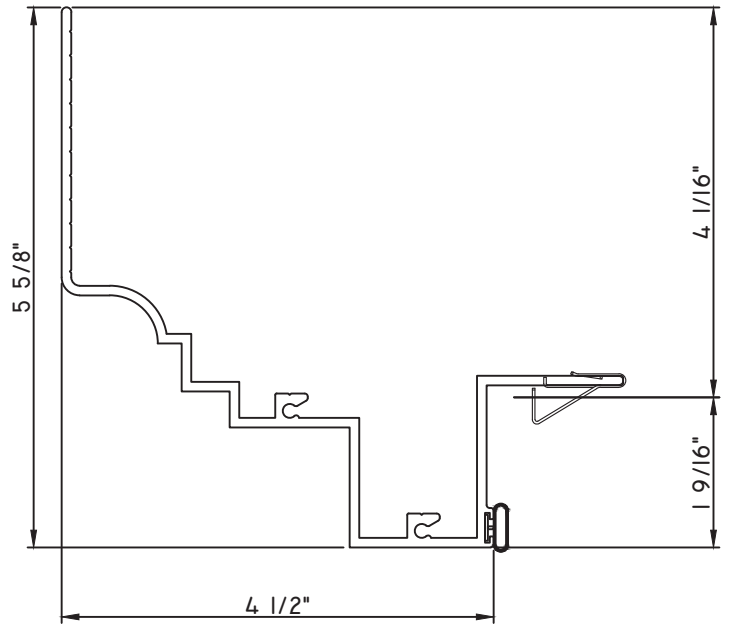
SCALE 1:2



# ALUMINUM PRESET PANNINGS E600/T600 INSWING CASEMENT & PROJECT-IN (HOPPER)

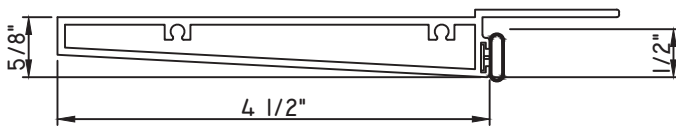


**PRESET PANNING**  
 M23890 - PANNING  
 BPN-9159 - W.S.  
 MH8-18X1 LP - FASTENER (QTY. 8)  
 1974 - CLIP  
 (6" FROM EACH CORNER & 20" O.C.)

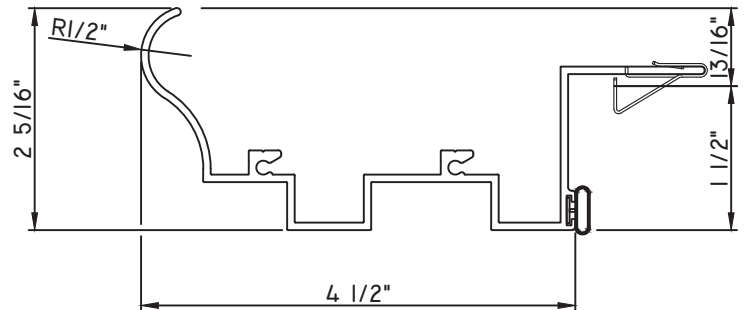


**PRESET PANNING**  
 M22085 - PANNING  
 BPN-9159 - W.S.  
 MH8-18X1 LP - FASTENER (QTY. 8)  
 1974 - CLIP  
 (6" FROM EACH CORNER & 20" O.C.)

SCALE 1:2



**PRESET PANNING**  
 M23850 - PANNING  
 BPN-9159 - W.S.  
 MH8-18X1 LP - FASTENER (QTY. 8)  
 1974 - CLIP  
 (6" FROM EACH CORNER & 20" O.C.)



**PRESET PANNING**  
 M24835 - PANNING  
 BPN-9159 - W.S.  
 MH8-18X1 LP - FASTENER (QTY. 8)  
 1974 - CLIP  
 (6" FROM EACH CORNER & 20" O.C.)  
 NEW DIE

SCALE 1:2

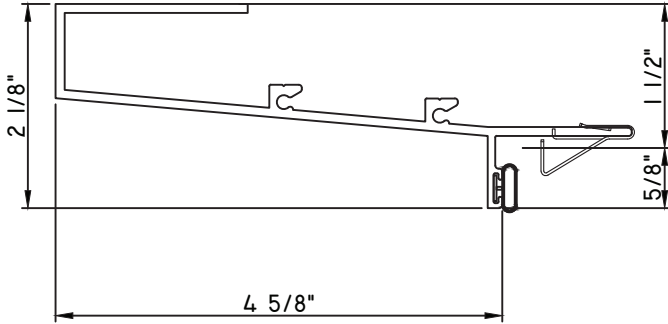
Our products are tested to the standards of and certified by some of the foremost organizations in the fenestration industry.





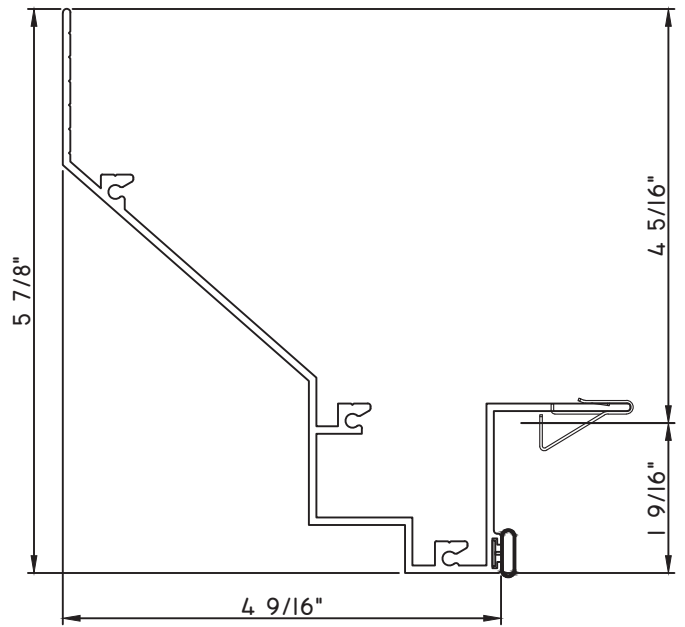


# ALUMINUM PRESET PANNINGS E600/T600 INSWING CASEMENT & PROJECT-IN (HOPPER)



## PRESET PANNING

M24766 - PANNING  
 BPN-9159 - W.S.  
 MH8-18X1 LP - FASTENER (QTY. 8)  
 1974 - CLIP  
 (6" FROM EACH CORNER & 20" O.C.)  
 NEW DIE



## PRESET PANNING

M23543 - PANNING  
 BPN-9159 - W.S.  
 MH8-18X1 LP - FASTENER (QTY. 12)  
 1974 - CLIP  
 (6" FROM EACH CORNER & 20" O.C.)

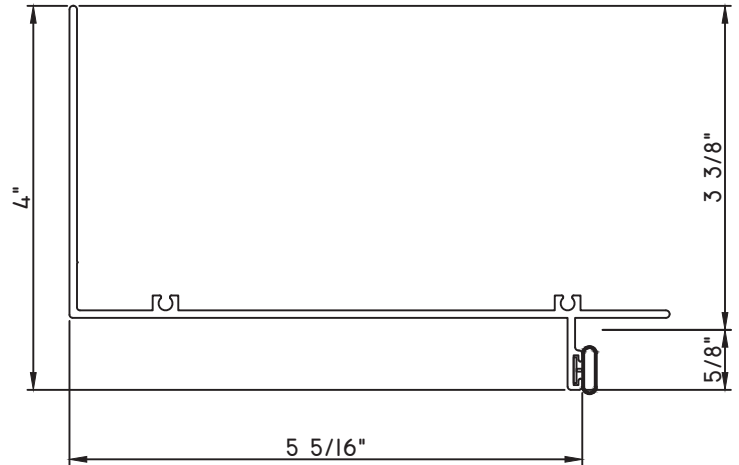
SCALE 1:2

Our products are tested to the standards of and certified by some of the foremost organizations in the fenestration industry.

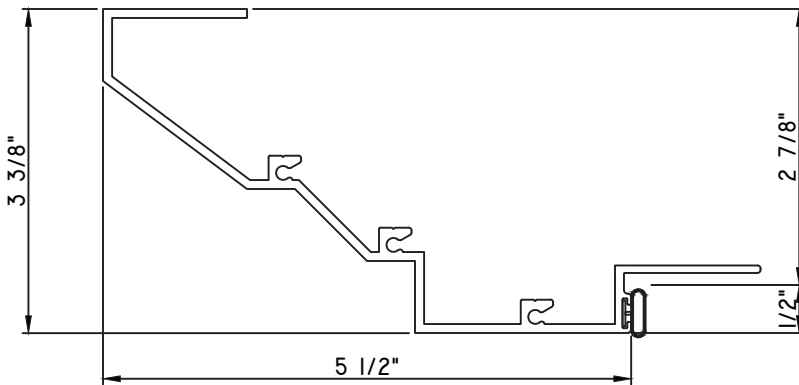




# ALUMINUM PRESET PANNINGS E600/T600 INSWING CASEMENT & PROJECT-IN (HOPPER)



**PRESET PANNING**  
MAX9523-18' - PANNING  
BPN-9159 - W.S.  
MH8-18X1 LP - FASTENER (QTY. 8)



**PRESET PANNING**  
M23631 - PANNING  
BPN-9159 - W.S.  
MH8-18X1 LP - FASTENER (QTY. 8)

SCALE 1:2

Our products are tested to the standards of and certified by some of the foremost organizations in the fenestration industry.

