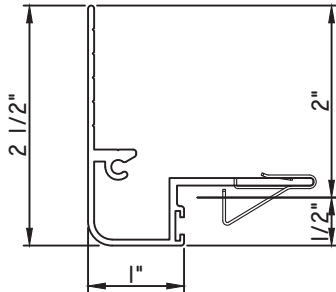


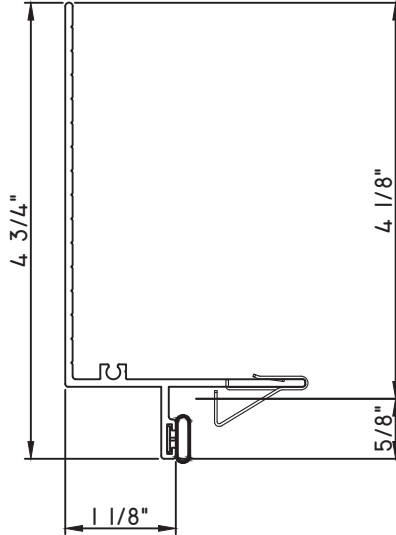


# ALUMINUM PRESET PANNINGS E600/T600 - CASEMENT & PROJECT-OUT

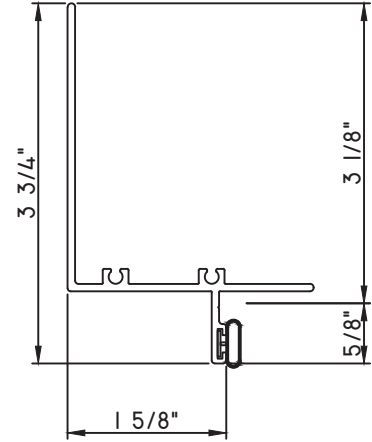
All information seen within this document are considered current. However periodic changes/updates to our products are necessary. Quaker Window Products Inc. reserves the right to change any information without notice.



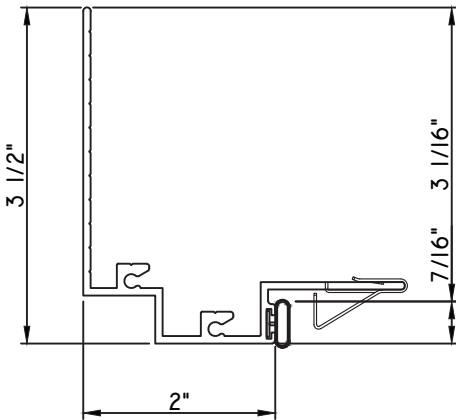
**PRESET PANNING**  
M23977 - PANNING  
BPN-9159 - W.S.  
1974 - CLIP  
MH8-18X1 LP - FASTENER (QTY. 4)



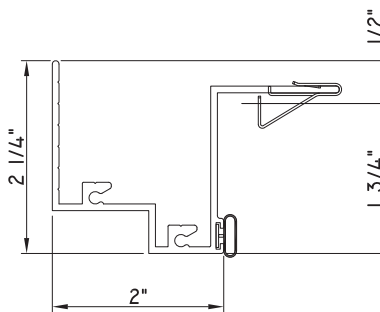
**PRESET PANNING**  
M17748 - PANNING  
BPN-9159 - W.S.  
MH8-18X1 LP - FASTENER (QTY. 4)  
1974 - CLIP  
(6" FROM EACH CORNER & 20" O.C.)



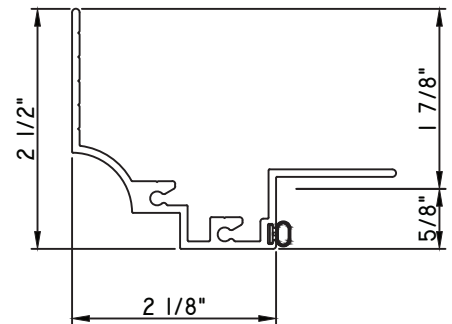
**PRESET PANNING**  
M14957 - PANNING  
BPN-9159 - W.S.  
MH8-18X1 LP - FASTENER (QTY. 8)



**PRESET PANNING**  
M23648-18 - PANNING  
BPN-9159 - W.S.  
MH8-18X1 LP - FASTENER (QTY. 8)  
1974 - CLIP  
(6" FROM EACH CORNER & 20" O.C.)



**PRESET PANNING**  
M25906 - PANNING  
BPN-9159 - W.S.  
MH8-18X1 LP - FASTENER (QTY. 4)  
1974 - CLIP  
(6" FROM EACH CORNER & 20" O.C.)

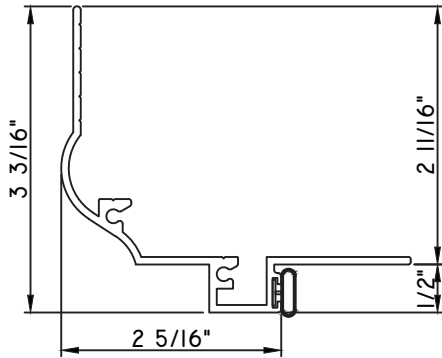


**PRESET PANNING**  
M22415 - PANNING  
9146E - W.S.  
MH8-18X1 LP - FASTENER (QTY. 8)

Our products are tested to the standards of and certified by some of the foremost organizations in the fenestration industry.

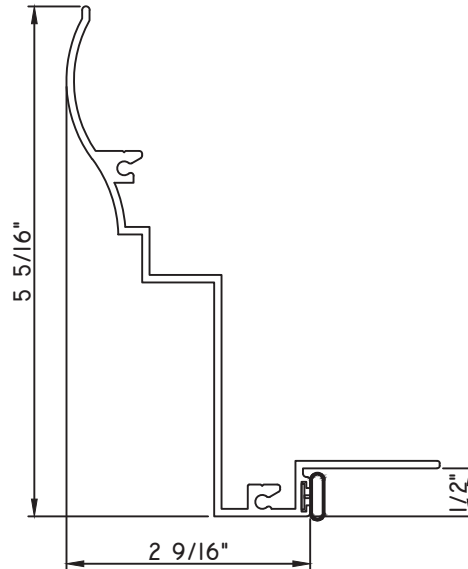


# ALUMINUM PRESET PANNINGS E600/T600 - CASEMENT & PROJECT-OUT



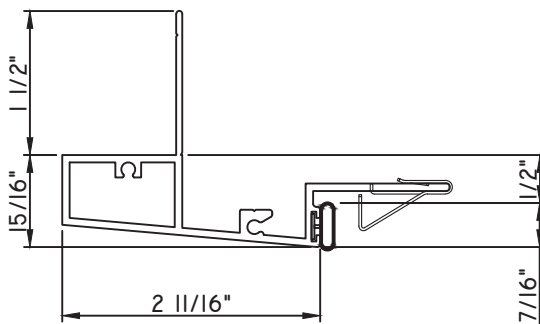
## PRESET PANNING

M25335 - PANNING  
BPN-9159 - W.S.  
MH8-18X1 LP - FASTENER (QTY. 8)  
1974 - CLIP  
(6" FROM EACH CORNER & 20" O.C.)  
NEW DIE



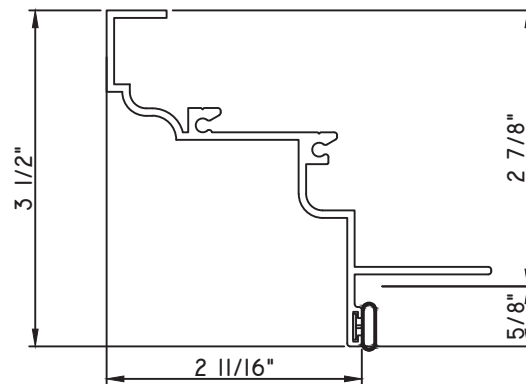
## PRESET PANNING

M25334 - PANNING  
BPN-9159 - W.S.  
MH8-18X1 LP - FASTENER (QTY. 8)  
1974 - CLIP  
(6" FROM EACH CORNER & 20" O.C.)  
NEW DIE



## PRESET PANNING

M23753 - PANNING  
BPN-9159 - W.S.  
MH8-18X1 LP - FASTENER (QTY. 8)  
1974 - CLIP  
(6" FROM EACH CORNER & 20" O.C.)



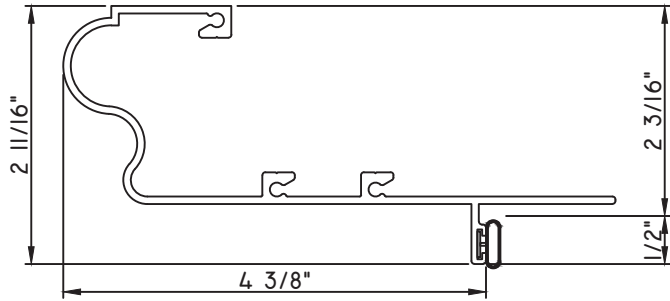
## PRESET PANNING

M24467- PANNING  
BPN-9159 - W.S.

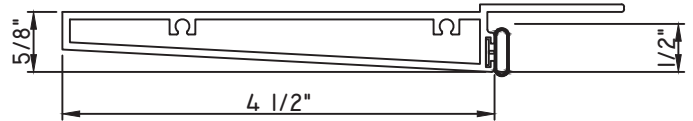
SCALE 1:2



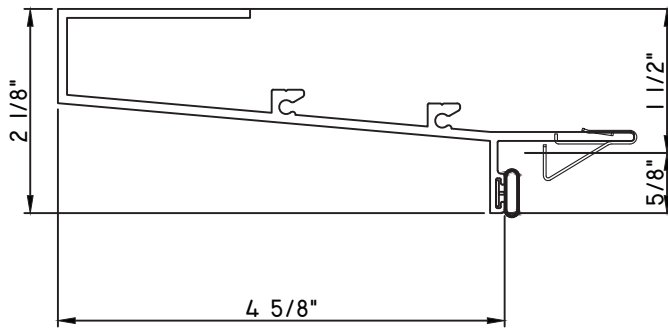
# ALUMINUM PRESET PANNINGS E600/T600 - CASEMENT & PROJECT-OUT



**PRESET PANNING**  
 M23890 - PANNING  
 BPN-9159 - W.S.  
 MH8-18X1 LP - FASTENER (QTY. 8)  
 1974 - CLIP  
 (6" FROM EACH CORNER & 20" O.C.)



**PRESET PANNING**  
 M23850 - PANNING  
 BPN-9159 - W.S.  
 MH8-18X1 LP - FASTENER (QTY. 8)  
 1974 - CLIP  
 (6" FROM EACH CORNER & 20" O.C.)



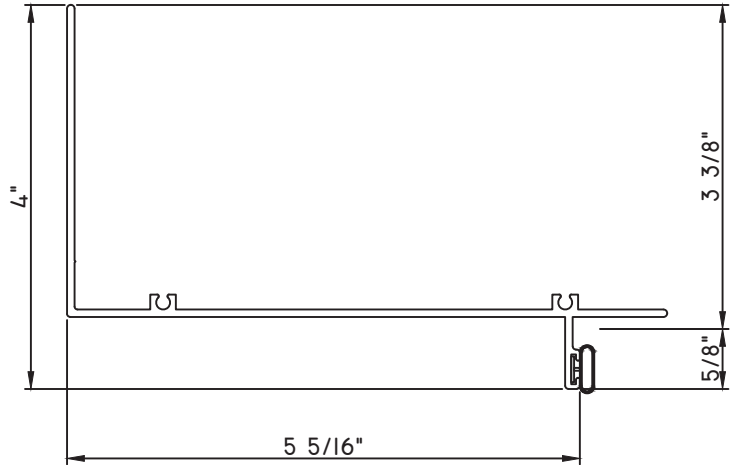
**PRESET PANNING**  
 M24766 - PANNING  
 BPN-9159 - W.S.  
 MH8-18X1 LP - FASTENER (QTY. 8)  
 1974 - CLIP  
 (6" FROM EACH CORNER & 20" O.C.)  
 NEW DIE

Our products are tested to the standards of and certified by some of the foremost organizations in the fenestration industry.

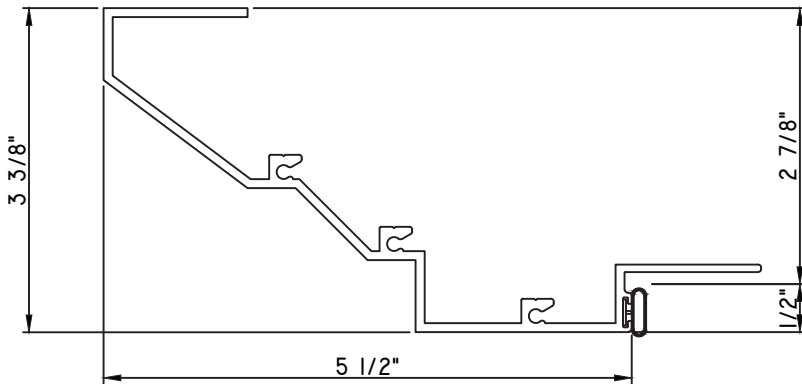




# ALUMINUM PRESET PANNINGS E600/T600 - CASEMENT & PROJECT-OUT



**PRESET PANNING**  
MAX9523-18' - PANNING  
BPN-9159 - W.S.  
MH8-18X1 LP - FASTENER (QTY. 8)



**PRESET PANNING**  
M23631 - PANNING  
BPN-9159 - W.S.  
MH8-18X1 LP - FASTENER (QTY. 8)

SCALE 1:2

Our products are tested to the standards of and certified by some of the foremost organizations in the fenestration industry.

