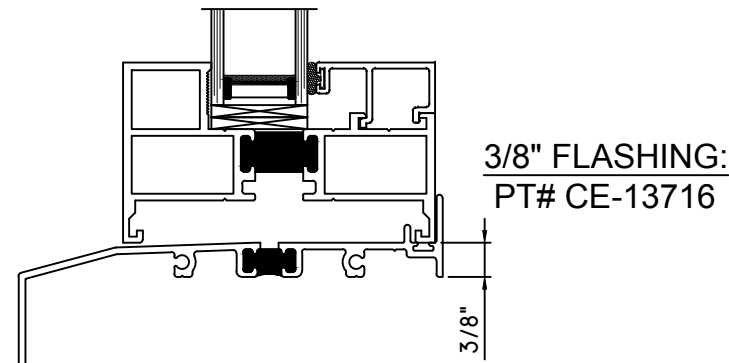


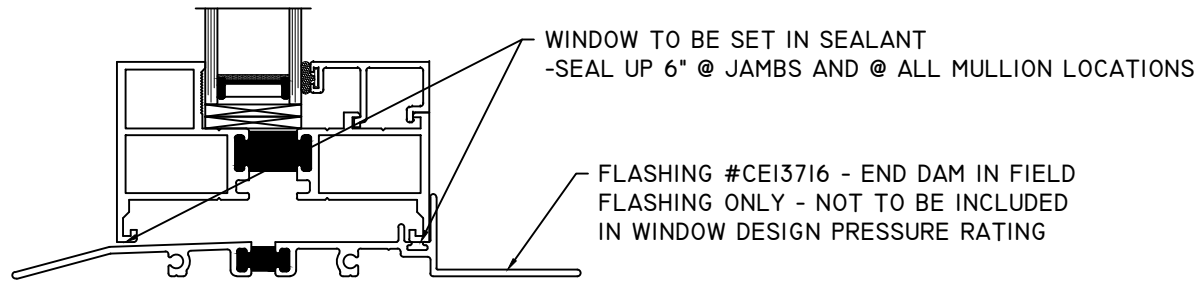
3/8" FLASHING:
PT# CE-13716

STANDARD FLASHING FOR
T-MULL INSTALLATION WITHOUT
RECEPTOR & SUBSILL



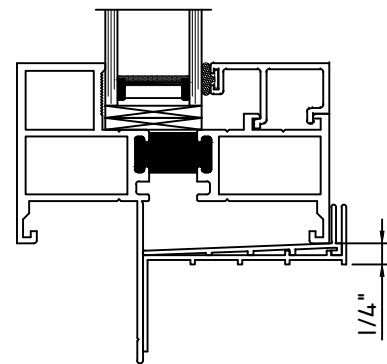
3/8" FLASHING:
PT# CE-13716

OPTIONAL FLASHING FOR T-MULL
INSTALLATION WITHOUT
RECEPTOR & SUBSILL



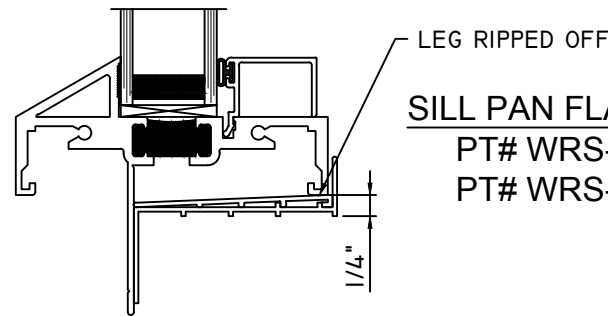
STANDARD NOTES FOR SHOP
DRAWINGS WHEN USING THIS
3/8" FLASHING

**INSTALLATION
NOTES**



SILL PAN FLASHING:
PT# WRS-8006
PT# WRS-8007

TO BE USED ON ALL M600 NAIL FIN
INSTALLATION WITH T-MULLS



LEG RIPPED OFF
SILL PAN FLASHING:
PT# WRS-8006
PT# WRS-8007

TO BE USED ON ALL H600 NAIL FIN
INSTALLATION WITH T-MULLS

TO BE USED ON ALL VINYL NAIL
FIN INSTALLATION WITH 1/2" OR 2"
STRUCTURAL MULLS

Project Name: **FLASHINGS**

**ADD TO
UNIT DIMENSION**

CUT DETAILS

Description:

QUAKER WINDOW PRODUCTS
WILL NOT BE RESPONSIBLE
FOR FIELD MEASUREMENT,
QUANTITIES, & INSTALLATION
DESIGN. CONTRACTOR MUST
VERIFY ALL DIMENSIONS.

PHONE (573)-744-5211
FAX (573)-744-5586
COMMERCIAL
FAX (573)-744-5822
www.quakerwindows.com



Scale: 1"=2"
Sheet #: C8

504 Highway 63 South
Freeburg, MO 65035

Drawn By:
Date: 03-08-18