

# V700 Series 3 1/4" Frame Depth Fixed (Picture Window)

## V700 SERIES FIXED (PICTURE WINDOW)

### FEATURES

- ◇ **Commercial Framing System**
  - 3 1/4" main frame
- ◇ **Enhanced Design**
  - Mitered and welded corners
- ◇ **Glazing**
  - Impact-rated glazing package
- ◇ **Integral Nailing Fin**
- ◇ **Colors**
  - White or Sandstone vinyl (interior/exterior)

### OPTIONS

- ◇ **Available Configurations**
  - Fixed
- ◇ **Muntin Choices**
  - Internal or simulated divided lites available
- ◇ **Glazing**
  - Multiple Low-E and argon glazing choices
  - Capillary tubes
  - Wide variety of glazing, tinting and thickness options
- ◇ **Panning & Trim Choices**
  - Wide variety of panning, receptor and trim available
- ◇ **Colors**
  - High-performance Textured Black laminate (interior/exterior)
  - High-performance Textured Black laminate (exterior only with White vinyl or Textured Black laminate interior)
  - High-performance Textured Dark Bronze laminate (exterior only with White vinyl interior)
  - Twelve painted exterior colors (with White or Sandstone vinyl interior)
  - Unlimited custom painted exterior colors

### BENEFITS

- ◇ Meets ASTM 1886 (Large Missile Impact testing)
- ◇ The capacity to match exterior colors for unique project facades
- ◇ The ability to facilitate large sizes for taller and wider window openings

### PERFORMANCE

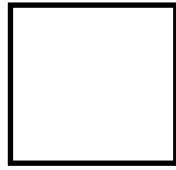
- ◇ Structural & Thermal (test reports or thermal simulations available upon request)

| Model                                | Picture Window (Fixed) |
|--------------------------------------|------------------------|
| NAFS Rating                          | CW-50                  |
| Structural Load P.S.F.               | 75.19                  |
| Air at 50 MPH (cfm/ft <sup>2</sup> ) | <0.10                  |
| Water (No Penetration) P.S.F.        | 7.5                    |
| U-Value (with Low-E and Argon)       |                        |
| SHGC (with Low-E and Argon)          |                        |
| Missile Level                        | Level D                |
| Wind Zone                            | Zone 4                 |

Window test size: 60" x 72"

Our products are tested to the standards of and certified by some of the foremost organizations in the fenestration industry.

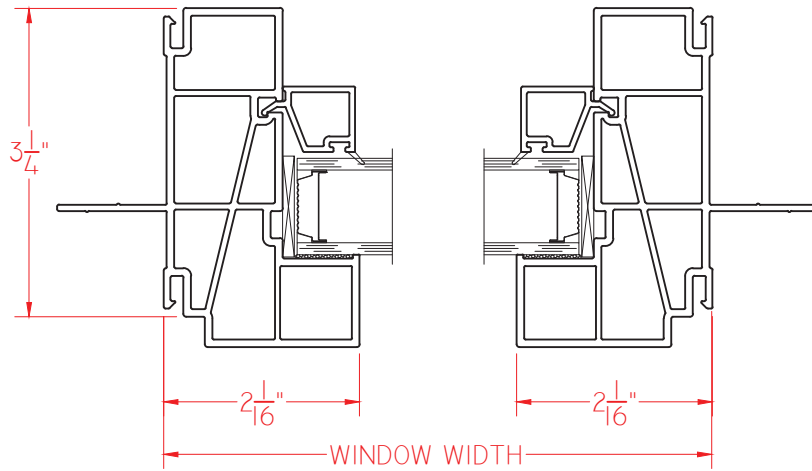




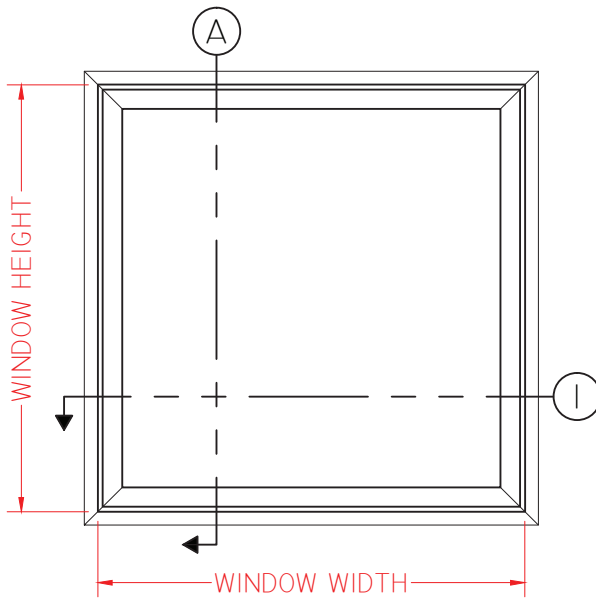
# V700 Series 3 1/4" Frame Depth Fixed (Picture Window)

## V700 SERIES FIXED (PICTURE WINDOW)

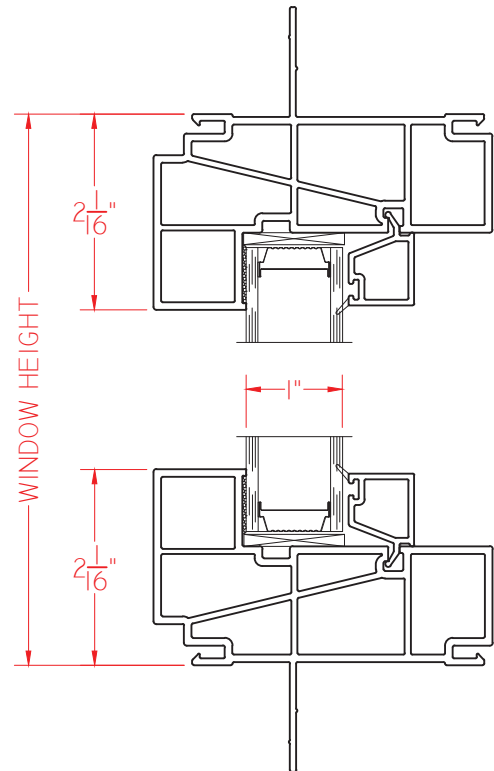
This document contains confidential and proprietary information intended for the private use of Quaker.  
© 2016 Quaker Window Products Co., INC. All rights reserved.  
Quaker reserves the right to change any/all designs without notice. Due to periodic re-certification requirements, result shown may vary.



A VERTICAL CROSS SECTION



ELEVATION SCALE 3/4" = 1'-0"



SCALE 1:2

Our products are tested to the standards of and certified by some of the foremost organizations in the fenestration industry.

