



B600 Series 3 1/4" Frame Depth FIXED

B600 SERIES FIXED

The Quaker B600 Series Picture Window is specially glazed specifically designed to meet ASTM F1642-04 (Standard Test Method for Glazing and Glazing System Subject to Airblast Loadings) resulting in a high GSA/ISC Performance Condition.

FEATURES

- ◇ Commercial Framing System
 - 3 1/4" main frame
 - Sealable corner keys
 - Crimp/Screw connections
 - 0.094" wall thickness of interior and exterior walls, 0.070" wall thickness elsewhere
- ◇ Enhanced Design
 - Azo-braided channel receives Azon pour and debridge thermal break which is 1/2" wide in all main frame and vent rail extrusions
 - Clean squared edges
 - 1 7/8" narrow sitelines
- ◇ Glazing
 - 1" insulated glass

OPTIONS

- ◇ Available Configurations
 - Wire frame capabilities
- ◇ Muntin Choices
 - Internal or simulated divided lites available
- ◇ Nailing Fin
- ◇ Glazing
 - Multiple Low-E and argon glazing choices
 - Triple glazing (Energy TG)
 - Capillary tubes
 - Wide variety of glazing, tinting and thickness options
- ◇ Panning & Trim Choices
 - Wide variety of panning, receptor and trim available
 - Jamb filler
- ◇ Mulling
 - Wide variety of structural mulls

BENEFITS

- ◇ The capacity to match exterior colors for unique project facades
- ◇ The ability to facilitate large sizes for taller and wider window openings
- ◇ Modern appearance merged with superior structural integrity

PERFORMANCE

- ◇ Structural & Thermal

Model	FIXED			
Test Sizes	60" x 60"**	72" x 120"**	60" x 99"***	48" x 120"****
NAFS Rating	AW-PG80-FW	AW-PG70-FW	AW-PG50-FW	AW-PG40-FW
Structural Load P.S.F.	120.30	105.27	75.19	60.15
Air at 50 MPH (cfm/ft ²)	<0.10			
Water (No Penetration) P.S.F.	12.11			
CR (Condensation Resistance)	48-58			
U-Value (ranges based on multiple Low-E/Argon combinations)	0.18-0.31			
SHGC (ranges based on multiple Low-E/Argon combinations)	0.13-0.54			



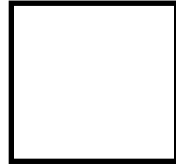
Other tests performed using the following sizes:

- * = with 1/4", 1/4" panes
- ** = with tempered panes
- *** = with 1/4", 1/4" panes
- **** = with 1/4", 1/4" panes

Thermal values shown are a range based on Quaker's most popular glass package options. Other available glass options may result in scores outside of the range shown.

Our products are tested to the standards of and certified by some of the foremost organizations in the fenestration industry.

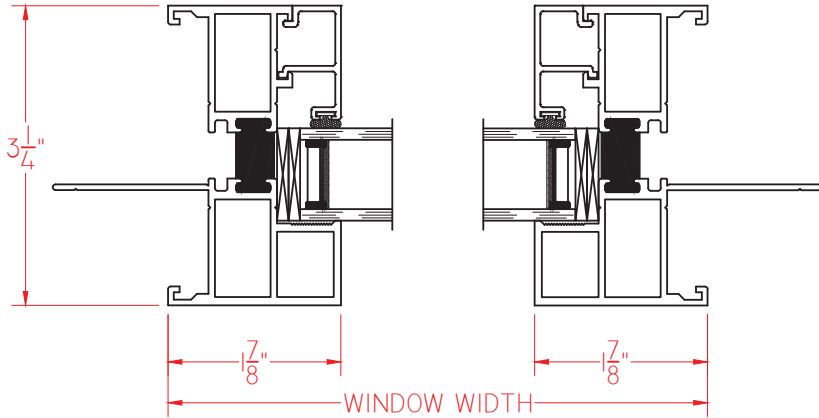




B600 Series 3 1/4" Frame Depth FIXED

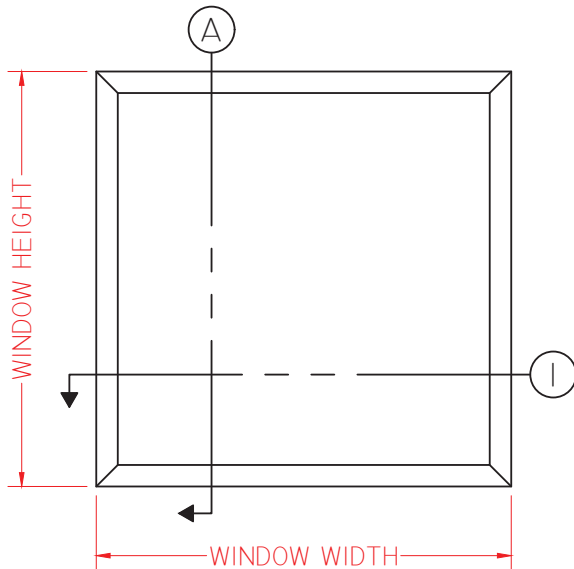
B600 SERIES PICTURE WINDOW WITH NAILING FIN

This document contains confidential and proprietary information intended for the private use of Quaker.
© 2016 Quaker Window Products Co., INC. All rights reserved.
Quaker reserves the right to change any/all designs without notice. Due to periodic re-certification requirements, result shown may vary.

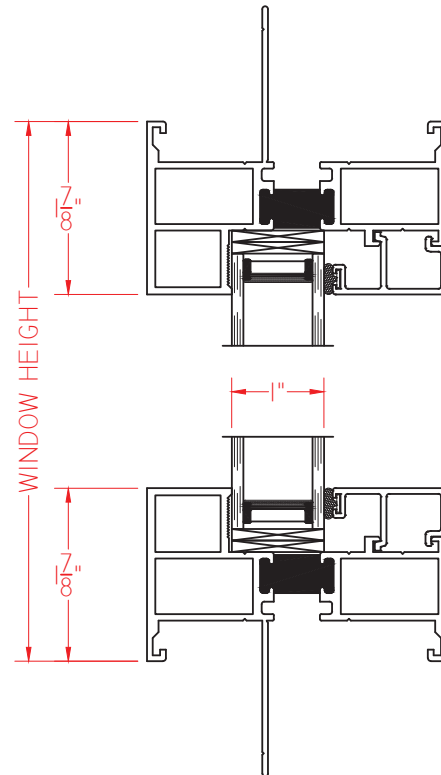


① HORIZONTAL CROSS SECTION

Ⓐ VERTICAL CROSS SECTION



ELEVATION SCALE 3/4" = 1'-0"



Our products are tested to the standards of and certified by some of the foremost organizations in the fenestration industry.





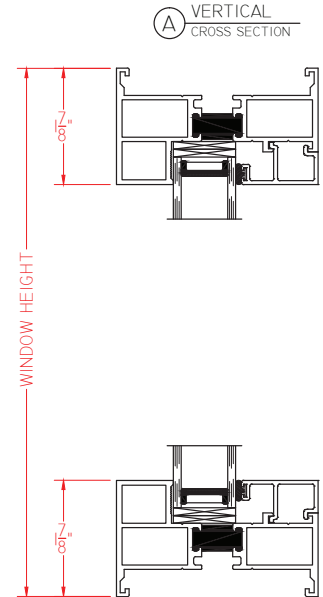
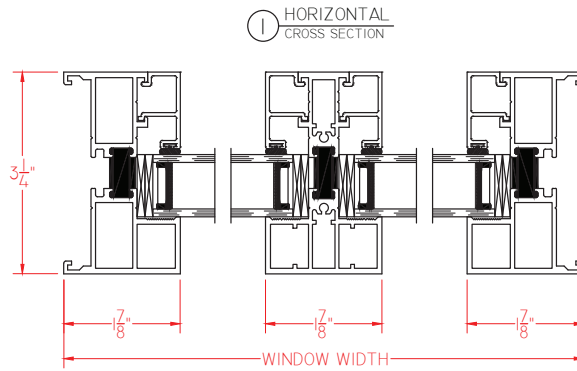
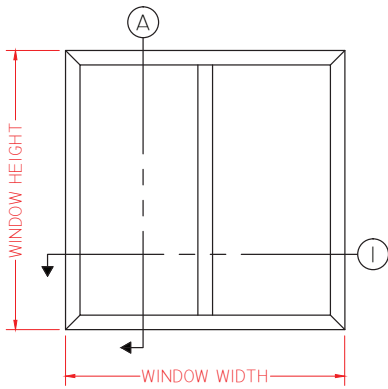
B600 Series
3 1/4" Frame Depth
FIXED

B600 SERIES PICTURE WINDOW (FIXED/FIXED - SIDE BY SIDE)

Double Jamb with Narrow 1 7/8" Sightline

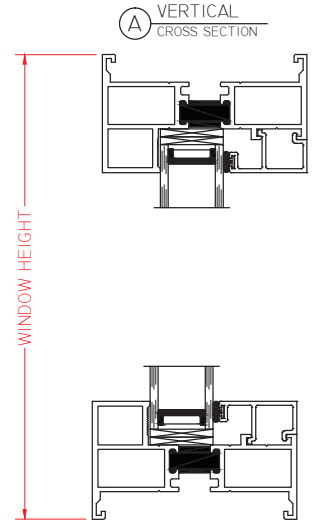
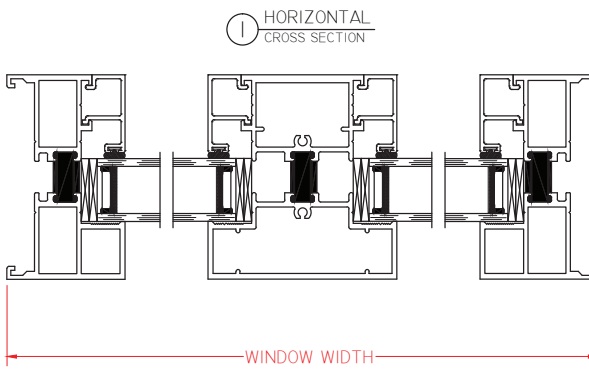
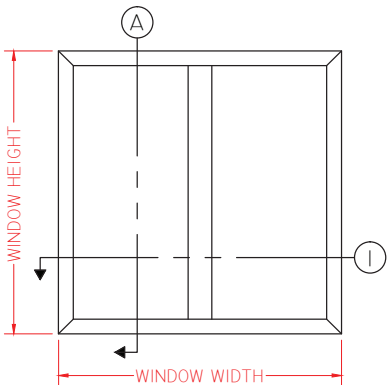
This document contains confidential and proprietary information intended for the private use of Quaker.
© 2016 Quaker Window Products Co., INC. All rights reserved.

Quaker reserves the right to change any/all designs without notice. Due to periodic re-certification requirements, result shown may vary.



SCALE 1:2

Double Jamb with Wide 3" Sightline



SCALE 1:2

Our products are tested to the standards of and certified by some of the foremost organizations in the fenestration industry.

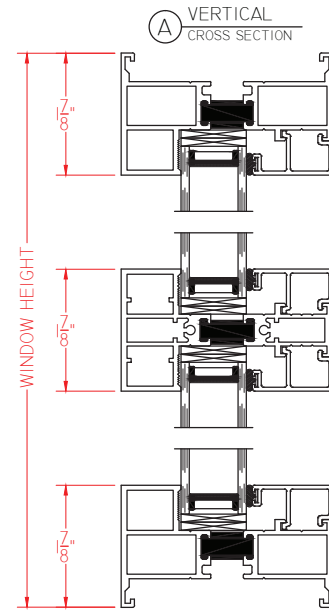
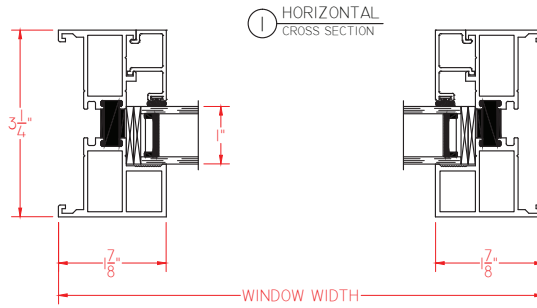
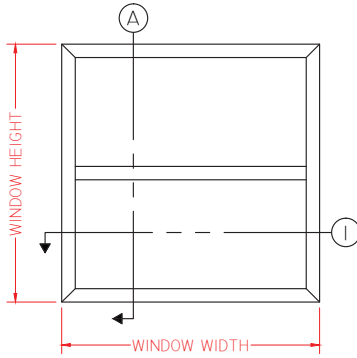




B600 SERIES PICTURE WINDOW (FIXED/FIXED - STACKED)

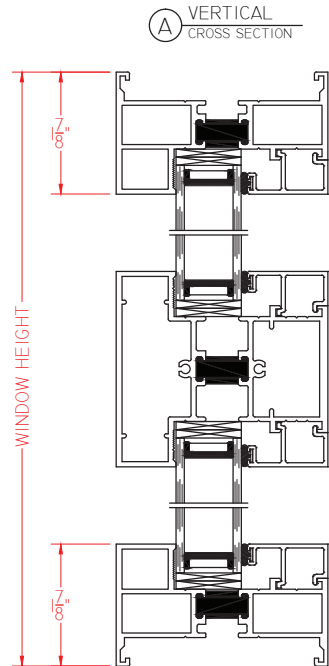
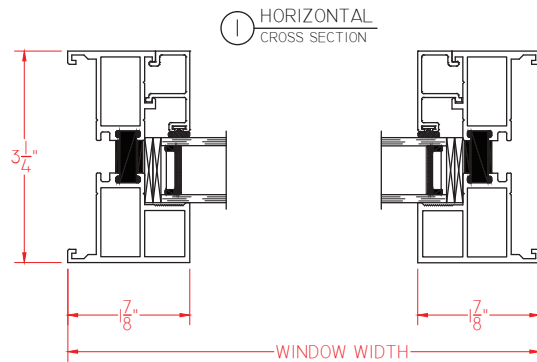
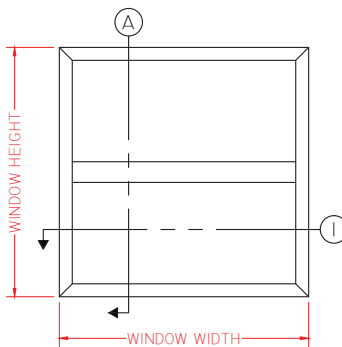
Double Jamb with Narrow 1 7/8" Sightline

This document contains confidential and proprietary information intended for the private use of Quaker.
© 2016 Quaker Window Products Co., INC. All rights reserved.
Quaker reserves the right to change any/all designs without notice. Due to periodic re-certification requirements, result shown may vary.



SCALE 1:2

Double Jamb with Wide 3" Sightline



SCALE 1:2

Our products are tested to the standards of and certified by some of the foremost organizations in the fenestration industry.

