

V300 SERIES SWING DOOR

FEATURES

- ◇ **Commercial Framing System**
 - 3 1/4" main frame
- ◇ **Enhanced Design**
 - Mitered and fusion welded corners
 - 2 1/2" threshold
- ◇ **Glazing**
 - 1" insulated glass
- ◇ **Hardware**
 - Multi-point WHS hardware
 - Butt hinges
 - Keyed hardware
- ◇ **Colors**
 - White or Sandstone vinyl (interior/exterior)

OPTIONS

- ◇ **Available Configurations**
 - 1-panel (hinge left or hinge right)
 - Inswing or Outswing
 - Fixed Sidelites
 - Fixed Transoms
- ◇ **Sill**
 - ADA threshold with 10" bottom rail
- ◇ **Muntin Choices**
 - Internal or simulated divided lites available
- ◇ **Glazing**
 - Capillary tubes
 - Wide variety of glazing, tinting and thickness options
- ◇ **Colors**
 - Twelve painted exterior colors (with White or Sandstone vinyl interior)
 - Unlimited custom painted exterior colors
 - Textured laminate options (black/black or black exterior/white interior)

PERFORMANCE

- ◇ Structural & Thermal (test reports or thermal simulations available upon request)

Model	Swing Door
	1-panel
AAMA/WDMA/CSA 101/LS.2/A440-08 Rating	CW-PG50-SHD*
Air Infiltration (cfm/ft ²)	<0.30*
Water (No Penetration) P.S.F.	8*
U-Value (with EnergyMax Glass Package)	0.24 - 0.50*
SHGC (with EnergyMax Glass Package)	TBD
Test size	40" x 84"

*-All tests pending as of 9-2023

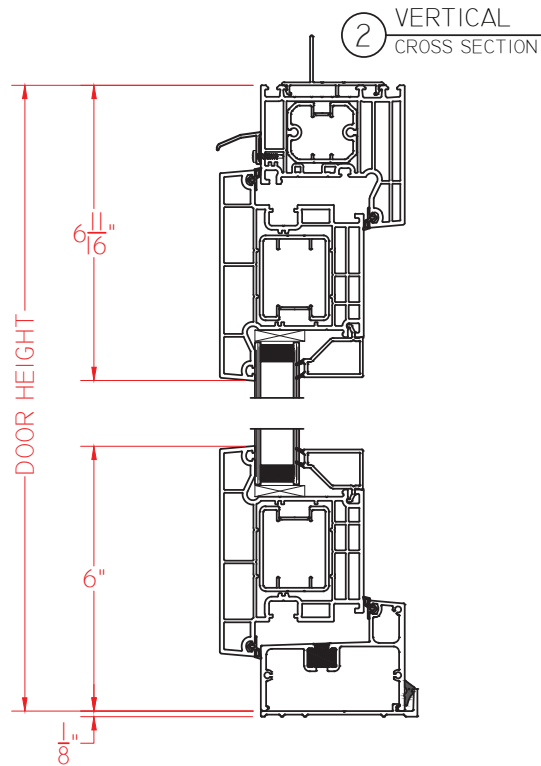
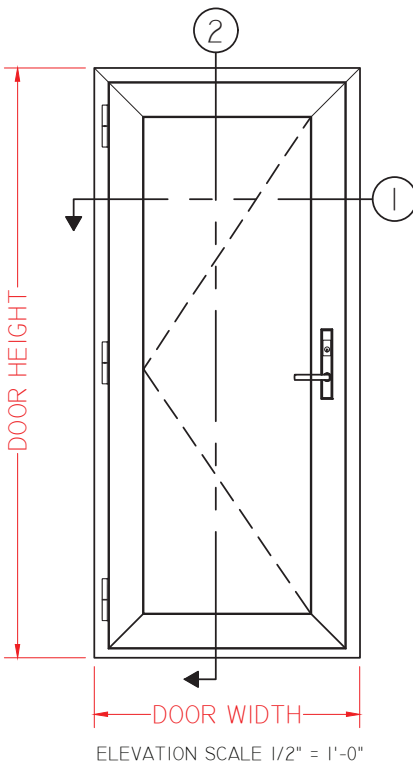
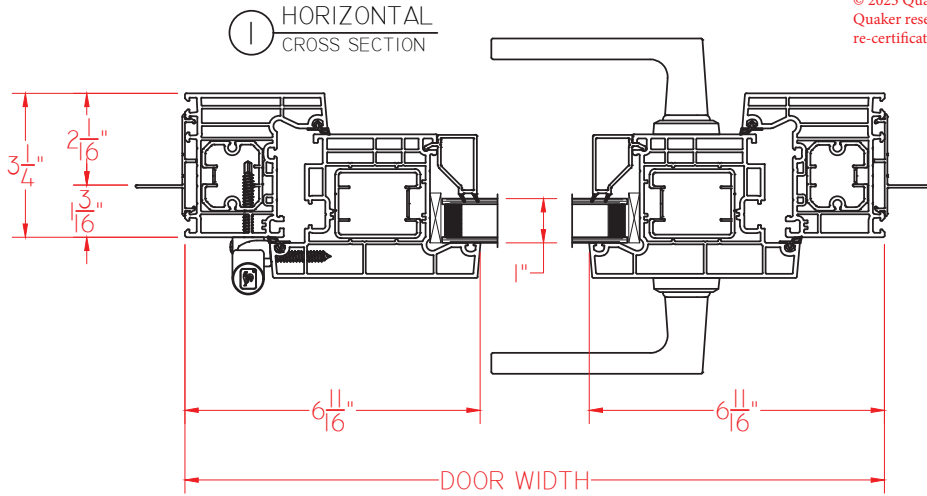


Our products are tested to the standards of and certified by some of the foremost organizations in the fenestration industry.



V300 SERIES SWING DOOR

This document contains confidential and proprietary information intended for the private use of Quaker.
 © 2023 Quaker Window Products Co., INC. All rights reserved.
 Quaker reserves the right to change any/all designs without notice. Due to periodic re-certification requirements, result shown may vary.



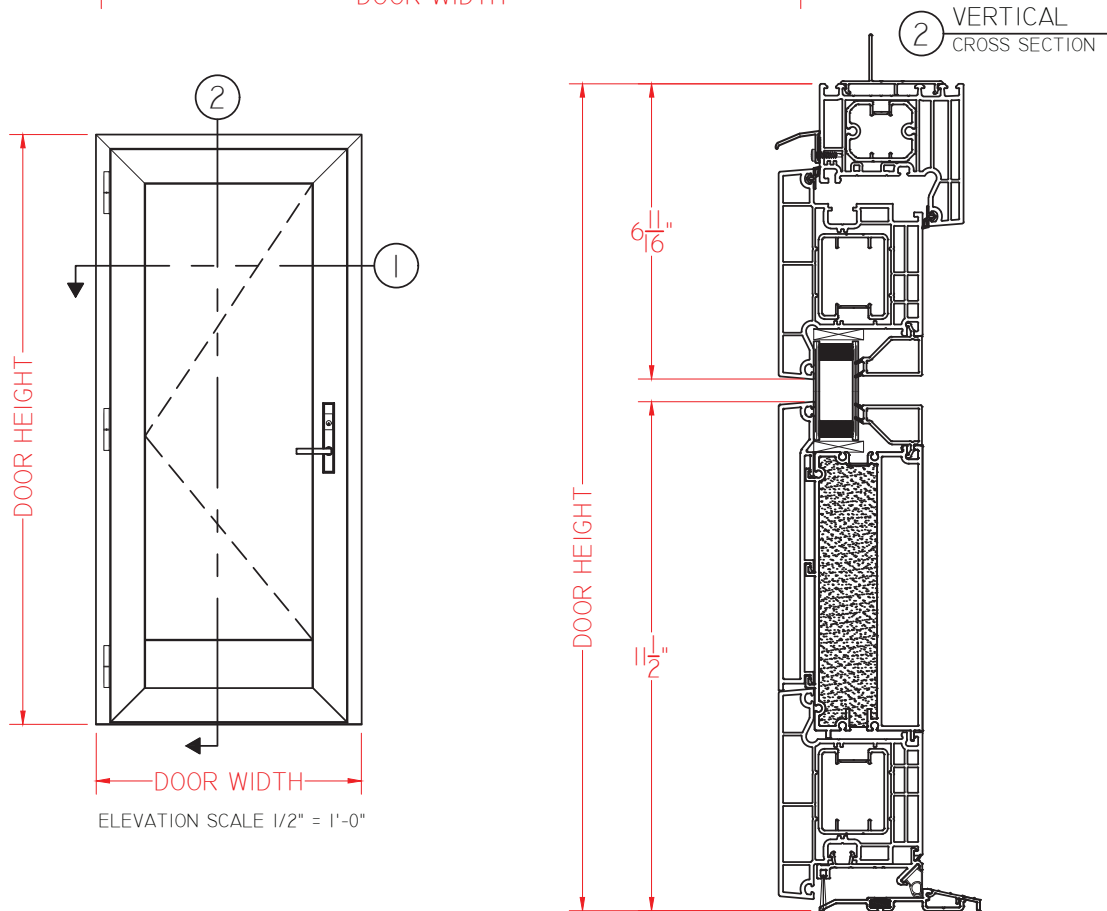
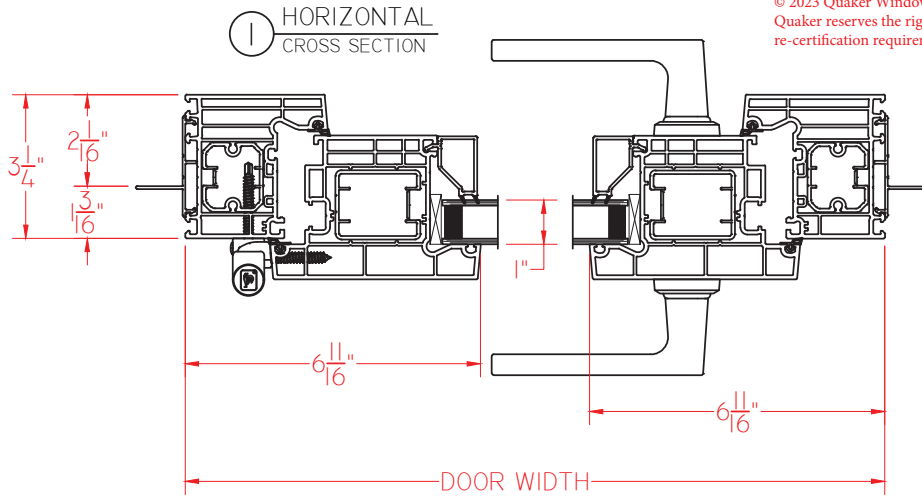
SCALE 3" = 1'-0"

Our products are tested to the standards of and certified by some of the foremost organizations in the fenestration industry.



V300 SERIES SWING DOOR

This document contains confidential and proprietary information intended for the private use of Quaker.
 © 2023 Quaker Window Products Co., INC. All rights reserved.
 Quaker reserves the right to change any/all designs without notice. Due to periodic re-certification requirements, result shown may vary.



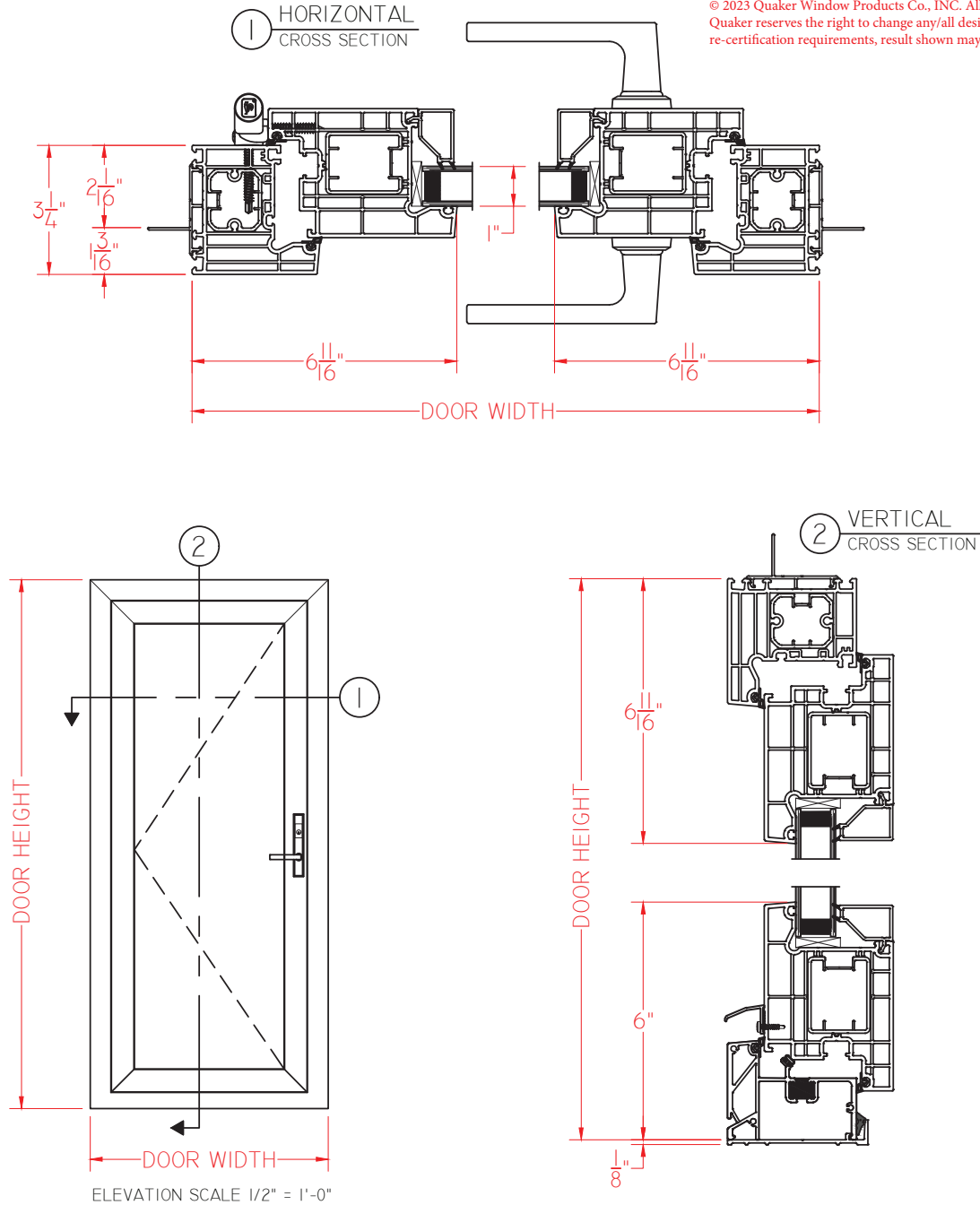
SCALE 3" = 1'-0"

Our products are tested to the standards of and certified by some of the foremost organizations in the fenestration industry.



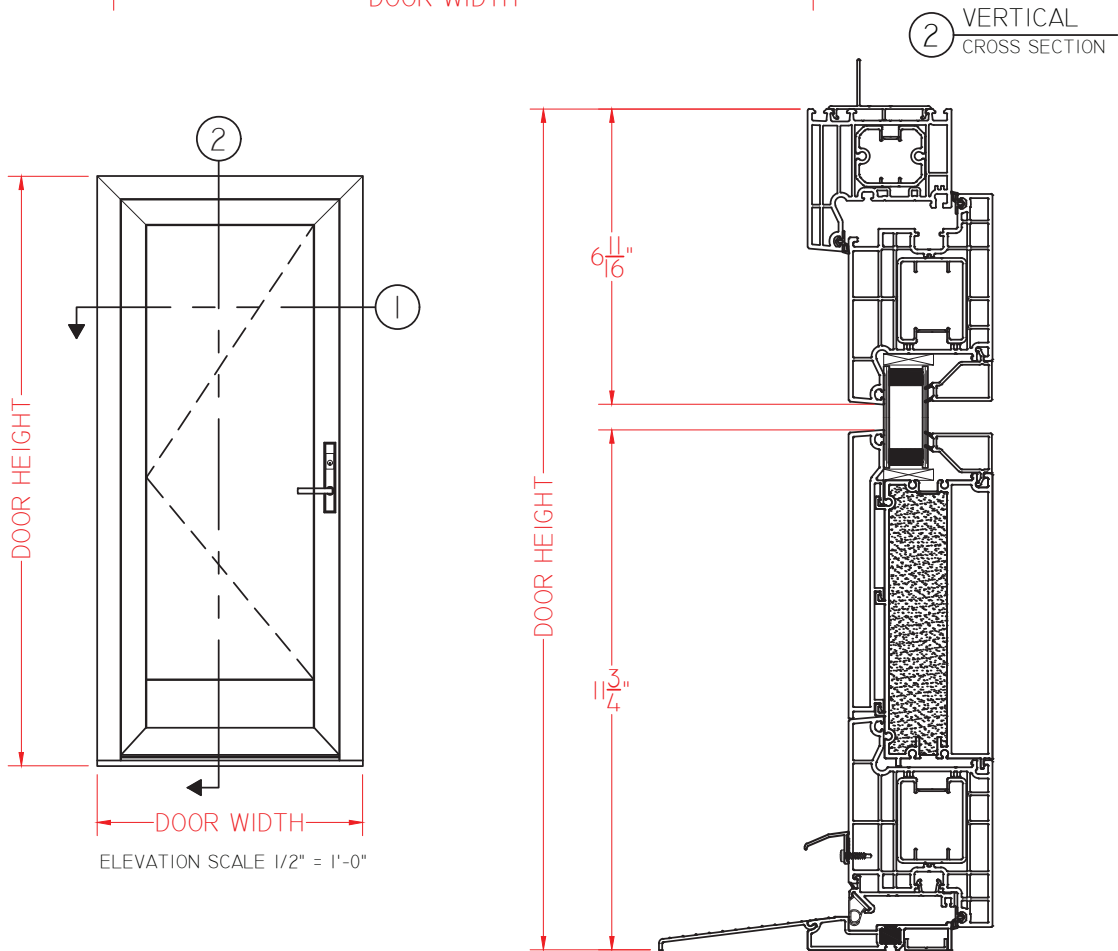
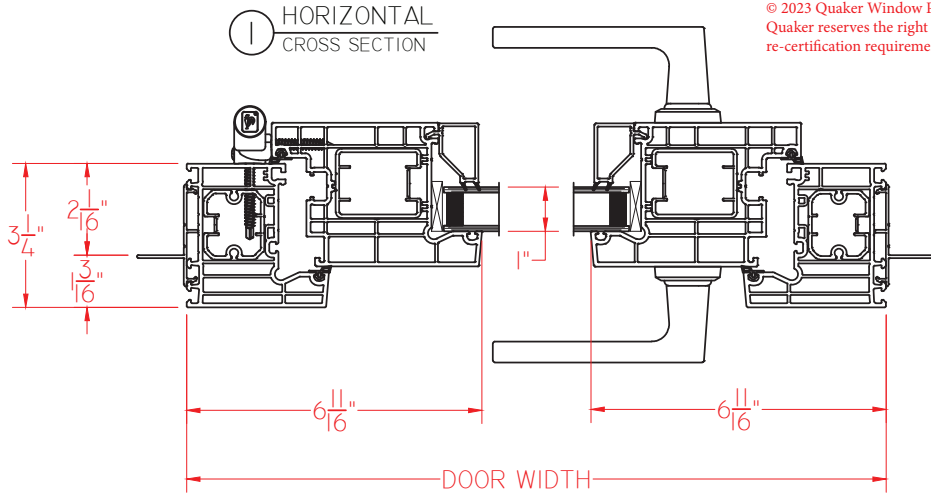
V300 SERIES SWING DOOR

This document contains confidential and proprietary information intended for the private use of Quaker.
© 2023 Quaker Window Products Co., INC. All rights reserved.
Quaker reserves the right to change any/all designs without notice. Due to periodic re-certification requirements, result shown may vary.



V300 SERIES SWING DOOR

This document contains confidential and proprietary information intended for the private use of Quaker.
 © 2023 Quaker Window Products Co., INC. All rights reserved.
 Quaker reserves the right to change any/all designs without notice. Due to periodic re-certification requirements, result shown may vary.



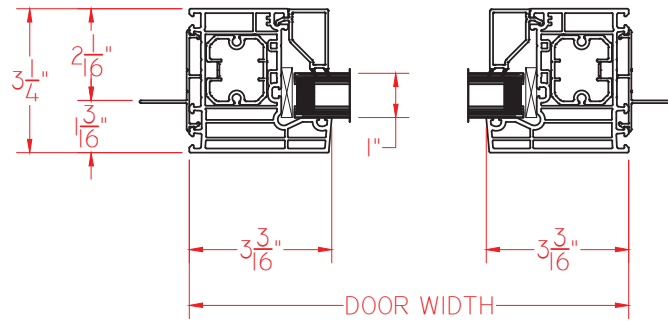
SCALE 3" = 1'-0"

Our products are tested to the standards of and certified by some of the foremost organizations in the fenestration industry.

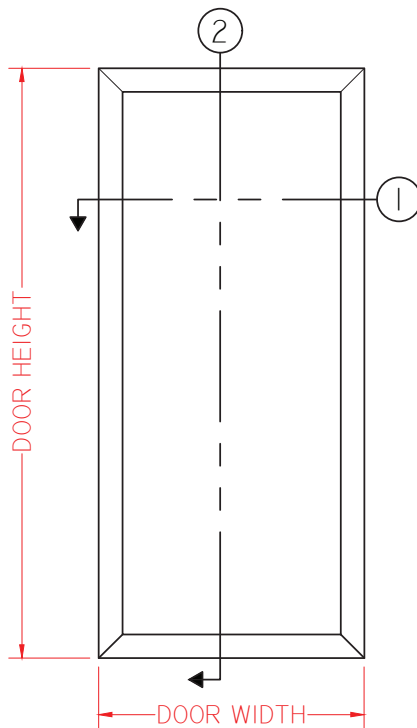


V300 SERIES SWING DOOR

① HORIZONTAL
CROSS SECTION

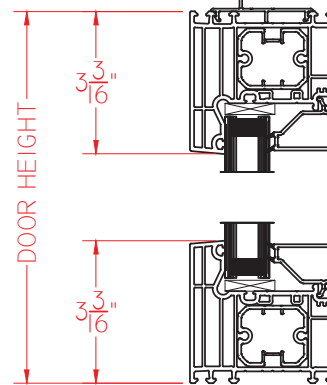


This document contains confidential and proprietary information intended for the private use of Quaker.
© 2023 Quaker Window Products Co., INC. All rights reserved.
Quaker reserves the right to change any/all designs without notice. Due to periodic re-certification requirements, result shown may vary.



ELEVATION SCALE 1/2" = 1'-0"

② VERTICAL
CROSS SECTION



SCALE 3" = 1'-0"

Our products are tested to the standards of and certified by some of the foremost organizations in the fenestration industry.

