

# C600/C605 Series With Blinds/Storm Panel 4 1/8" Frame Depth Casement (Project-Out)

## C600/C605 SERIES CASEMENT (PROJECT-OUT) WITH BLINDS/STORM PANEL

### FEATURES

- ◇ **Framing System**
  - Patented OptiCore Technology
  - Architectural grade aluminum frame
  - Dual Euro-Groove frame system
- ◇ **Enhanced Design**
  - Azo-Core Thermal Barrier System for reduced thermal-conductivity and increased energy-efficiency
  - Modern, squared frame glazing
  - 2 7/8" narrow sitalines
  - Blinds/Storm Panel applied to interior
  - With or without Integral Nailing Fin
- ◇ **Glazing**
  - 1" insulating glass
  - Dual-sealed Warm Edge Super Spacer system
- ◇ **Hardware**
  - Heavy-commercial Amesbury/Truth lock and crank-out system

### OPTIONS

- ◇ **Available Configurations**
  - Project-out Casement (Left or Right)
  - Continuous frame capabilities
- ◇ **Enhanced Design**
  - Traditional/Historic beveled frame glazing (C605 Series)
- ◇ **Muntin Choices**
  - Internal lites available
- ◇ **Hardware and Screen**
  - ADA Hardware
  - Limited travel hardware
- ◇ **Glazing**
  - Multiple Low-E and argon glazing choices
  - Impact-rated glazing package
  - 1 3/8" Triple Glaze Insulating Glass
  - Capillary tubes
  - Wide variety of tinting and pane thickness options
- ◇ **Panning & Trim Choices**
  - Wide variety of panning, receptor and trim available
- ◇ **Mulling**
  - Wide variety of structural mulls

### BENEFITS

- ◇ Capacity to match exterior colors for unique project facades
- ◇ Two-tone capabilities with a color to match the building interior and another to match the exterior
- ◇ Maximum sizing affords the facilitation of large sizes for taller and wider window openings
- ◇ Thermal performances never thought achievable in aluminum windows

### PERFORMANCE

- ◇ **Structural & Thermal** (test reports available upon request)

Model	C600/C605 Casement (Project-Out)	
NAFS Rating	AW-PG100-C	AW-PG70-C
Test Size	36" x 60"	48" x 84" (Maximum)
Design Pressure (P.S.F.)	150.38	105.26
Air Infiltration at 25 MPH (cfm/ft <sup>2</sup> )	<0.10	
Water Resistance (P.S.F.)	15.04	12.11
CR (Condensation Resistance)	51-79	
U-Value (ranges based on multiple Low-E/Argon combinations)	0.20-0.32	
SHGC (ranges based on multiple Low-E/Argon combinations)	0.11-0.44	
OITC/STC		

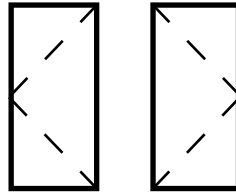
Operating Force (per ASTM E2068):  
 AW-PG100-C: Initiate motion - 36 N (8 lbf)  
 Maintain motion - 18 N (6 lbf)  
 AW-PG70-C: Initiate motion and Maintain motion - 13 N (3 lbf)

CR, U-Value and SHGC values shown are a range based on Quaker's most popular glass package options in all-window testing (not center-of-glass testing). Test results were achieved with no grids. The addition of optional grids may cause the results to vary slightly. Other available glass options may result in scores outside of the range shown.

OITC/STC ranges are based on the use of multiple glass pane thicknesses.

Our products are tested to the standards of and certified by some of the foremost organizations in the fenestration industry.



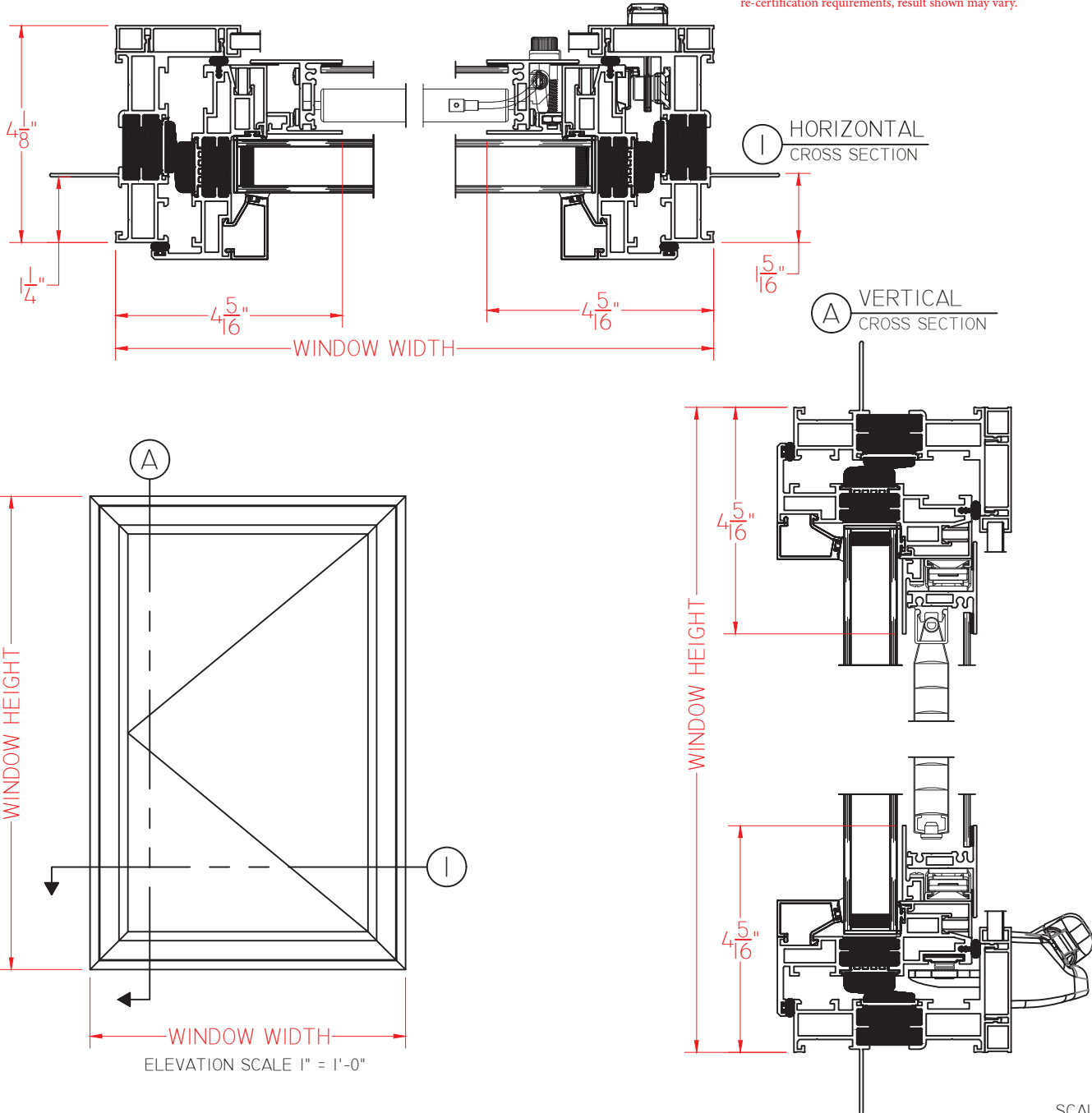


# C600 Series With Blinds/Storm Panel 4 1/8" Frame Depth Casement (Project-Out)

## C600 SERIES CASEMENT (PROJECT-OUT)

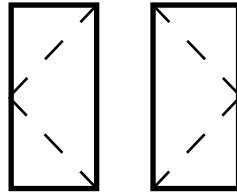
WITH BLINDS/STORM PANEL,  
SQUARE GLAZING STOPS,  
ROTO HARDWARE AND 1" I.G.

This document contains confidential and proprietary information intended for the private use of Quaker.  
© 2021 Quaker Window Products Co., INC. All rights reserved.  
Quaker reserves the right to change any/all designs without notice. Due to periodic re-certification requirements, result shown may vary.



Our products are tested to the standards of and certified by some of the foremost organizations in the fenestration industry.



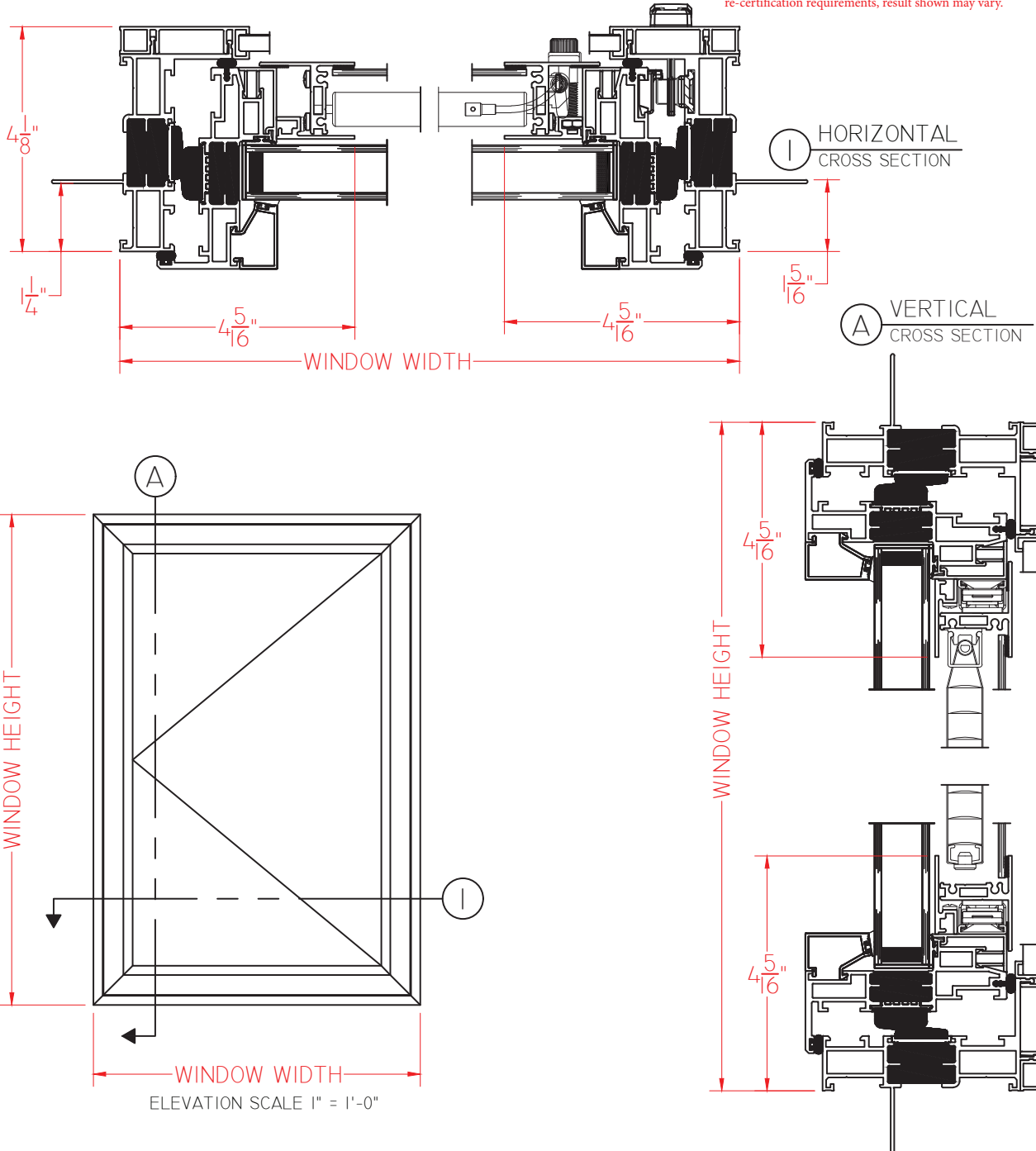


**C600 Series  
With Blinds/Storm Panel  
4 1/8" Frame Depth  
Casement (Project-Out)**

**C600 SERIES CASEMENT (PROJECT-OUT)**

WITH BLINDS/STORM PANEL,  
SQUARE GLAZING STOPS,  
PUSH OUT HARDWARE AND 1" I.G.

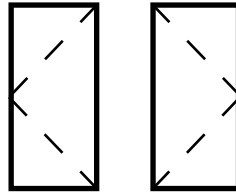
This document contains confidential and proprietary information intended for the private use of Quaker.  
© 2021 Quaker Window Products Co., INC. All rights reserved.  
Quaker reserves the right to change any/all designs without notice. Due to periodic re-certification requirements, result shown may vary.



SCALE 1:3

Our products are tested to the standards of and certified by some of the foremost organizations in the fenestration industry.



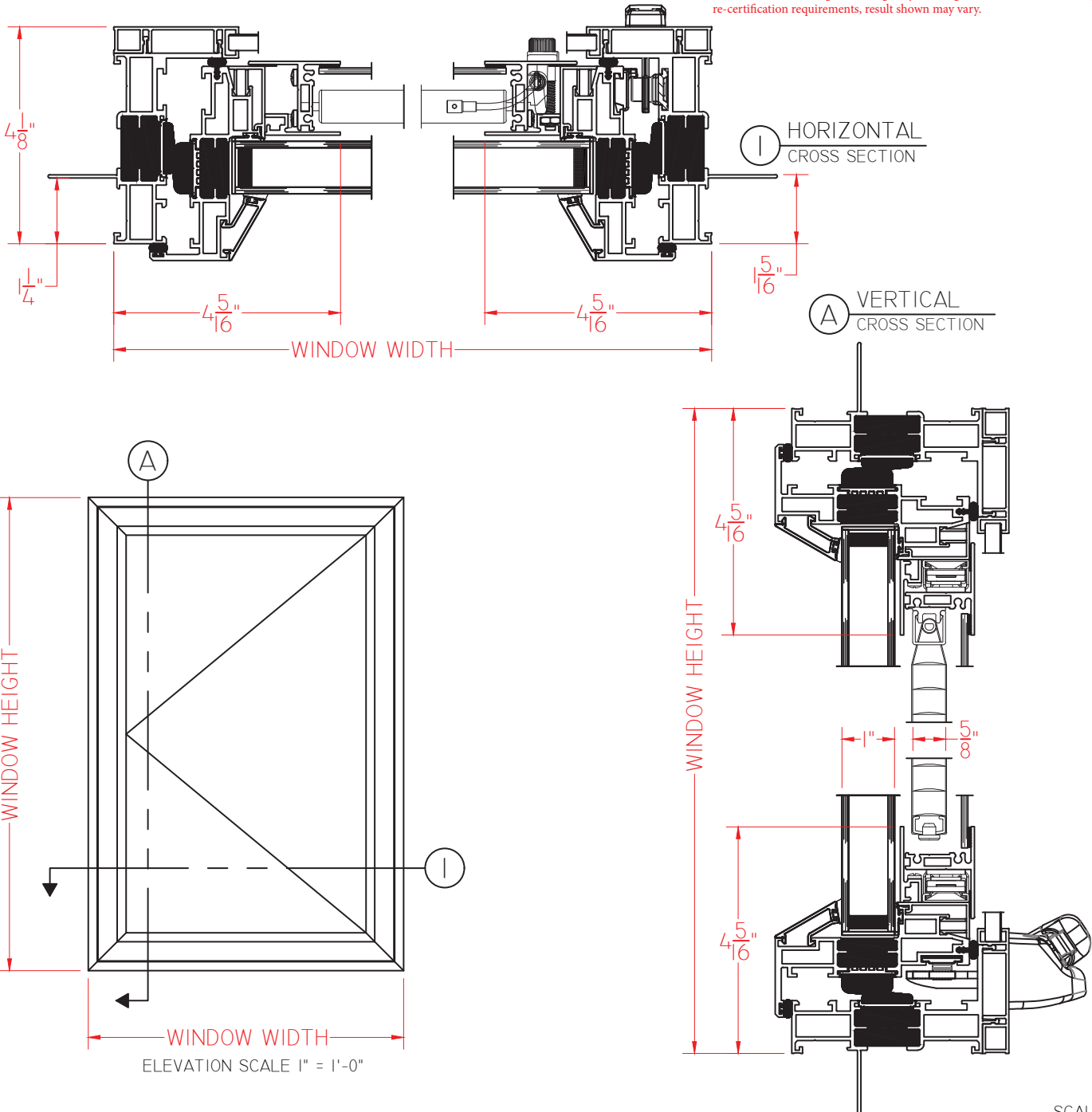


**C605 Series  
With Blinds/Storm Panel  
4 1/8" Frame Depth  
Casement (Project-Out)**

**C605 SERIES CASEMENT (PROJECT-OUT)**

**WITH BLINDS/STORM PANEL,  
BEVELED GLAZING STOPS,  
ROTO HARDWARE AND 1" I.G.**

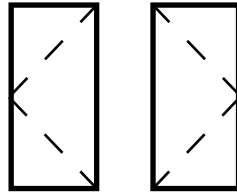
This document contains confidential and proprietary information intended for the private use of Quaker.  
© 2021 Quaker Window Products Co., INC. All rights reserved.  
Quaker reserves the right to change any/all designs without notice. Due to periodic re-certification requirements, result shown may vary.



SCALE 1:3

Our products are tested to the standards of and certified by some of the foremost organizations in the fenestration industry.



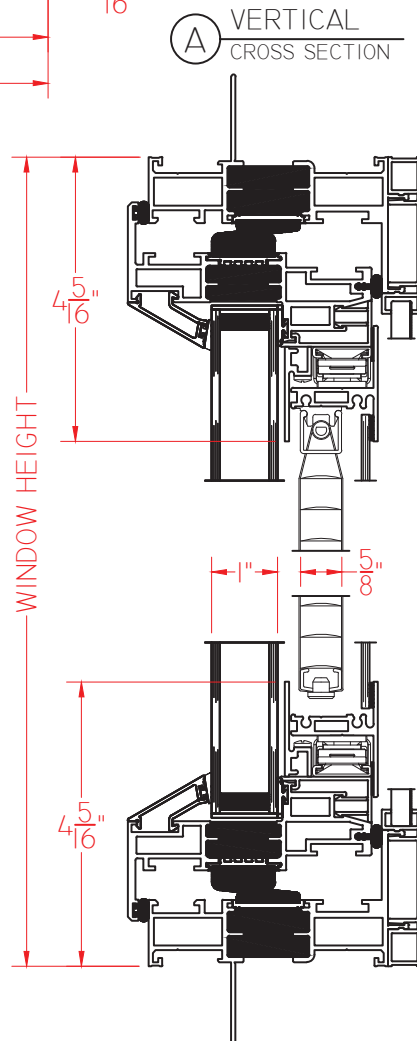
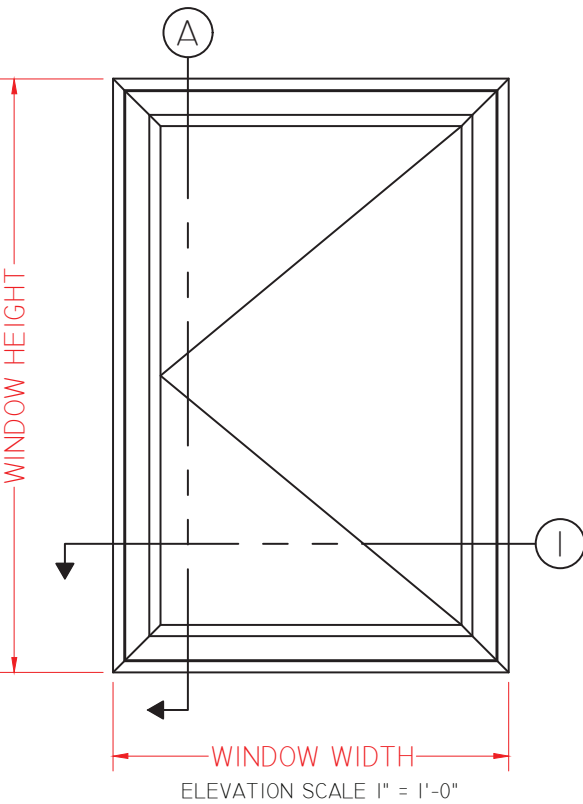
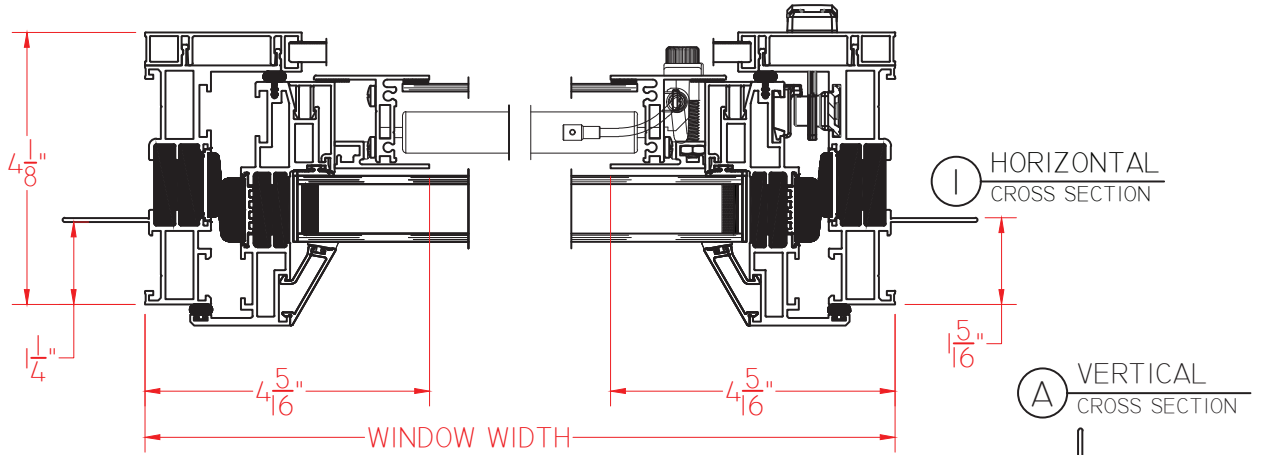


**C605 Series  
With Blinds/Storm Panel  
4 1/8" Frame Depth  
Casement (Project-Out)**

**C605 SERIES CASEMENT (PROJECT-OUT)**

WITH BLINDS/STORM PANEL,  
BEVELED GLAZING STOPS,  
PUSH OUT HARDWARE AND 1" I.G.

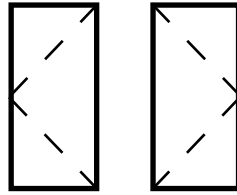
This document contains confidential and proprietary information intended for the private use of Quaker.  
© 2021 Quaker Window Products Co., INC. All rights reserved.  
Quaker reserves the right to change any/all designs without notice. Due to periodic re-certification requirements, result shown may vary.



SCALE 1:3

Our products are tested to the standards of and certified by some of the foremost organizations in the fenestration industry.



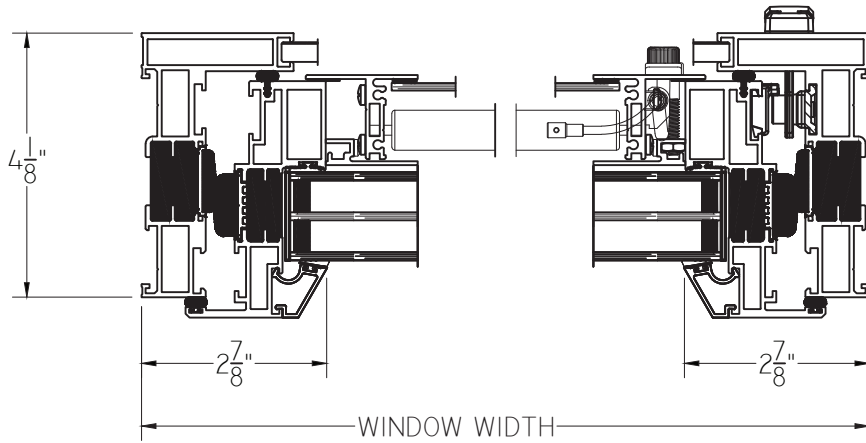


**C605 Series  
With Blinds/Storm Panel  
4 1/8" Frame Depth  
Casement (Project-Out)**

**C605 SERIES CASEMENT (PROJECT-OUT)**

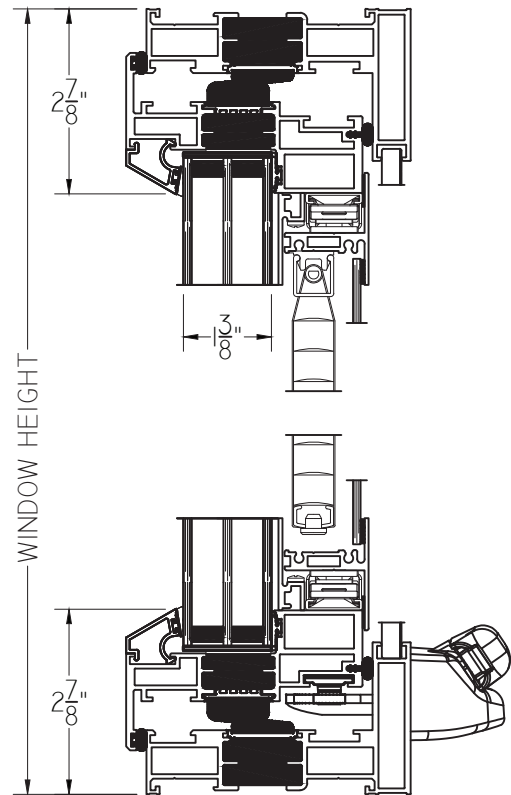
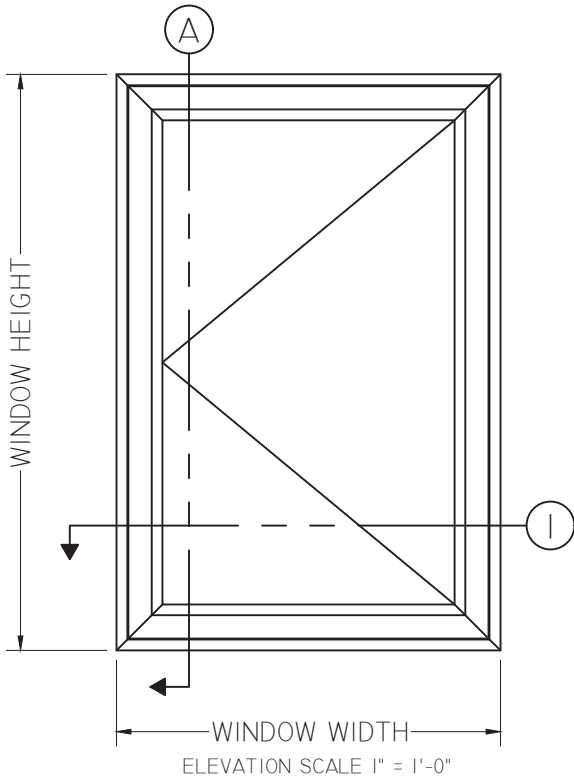
WITH BLINDS/STORM PANEL,  
BEVELED GLAZING STOPS,  
ROTO HARDWARE AND 1 3/8" I.G.

This document contains confidential and proprietary information intended for the private use of Quaker.  
© 2021 Quaker Window Products Co., INC. All rights reserved.  
Quaker reserves the right to change any/all designs without notice. Due to periodic re-certification requirements, result shown may vary.



① HORIZONTAL  
CROSS SECTION

Ⓐ VERTICAL  
CROSS SECTION



SCALE 1:3

Our products are tested to the standards of and certified by some of the foremost organizations in the fenestration industry.

