

## V700 SERIES PROJECT-OUT

### FEATURES

- ◇ **Commercial Framing System**
  - 3 1/4" main frame
- ◇ **Enhanced Design**
  - Mitered and welded corners
- ◇ **Glazing**
  - Impact-rated insulating glass
- ◇ **Integral Nailing Fin**
- ◇ **Hardware**
  - Multi-point locking system with fold-down handle to avoid interference with window blinds
  - Heavy commercial 4-bar arms
  - Low profile flat lock
- ◇ **Screen**
  - Flex Screen
- ◇ **Colors**
  - White or Sandstone vinyl (interior/exterior)

### BENEFITS

- ◇ Meets ASTM 1886 (Large Missile Impact testing)
- ◇ The capacity to match exterior colors for unique project facades
- ◇ The ability to facilitate large sizes for taller and wider window openings

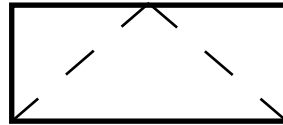
### PERFORMANCE

- ◇ **Structural & Thermal** (test reports or thermal simulations available upon request)

Model	Project-out
Test Size	60" x 32"
NAFS Rating	CW-50
Structural Load P.S.F.	75.19
Air Infiltration	<.30
Water (No Penetration) P.S.F.	7.5
U-Value (ranges based on multiple Low-E/Argon combinations)	Contact Quaker
SHGC (ranges based on multiple Low-E/Argon combinations)	Contact Quaker
Missile Level	D
Wind Zone	4

### OPTIONS

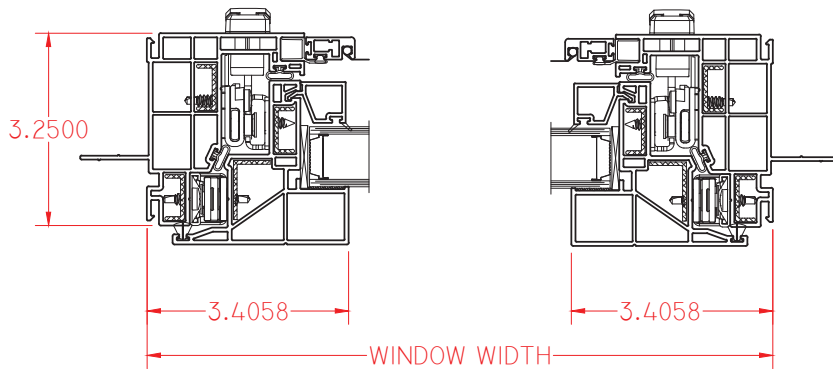
- ◇ **Available Configurations**
  - Project-out
- ◇ **Muntin Choices**
  - Internal or simulated divided lites available
- ◇ **Limited Travel Hardware**
- ◇ **Screen**
  - Extruded aluminum screen frame with BetterVue™ mesh with WaterShed® technology
  - Extruded aluminum screen frame with aluminum wire mesh
  - Extruded aluminum screen frame with SeeVue mesh
  - Extruded aluminum screen frame with UltraVue mesh
- ◇ **Glazing**
  - Multiple Low-E and argon glazing choices
  - Capillary tubes
  - Wide variety of glazing, tinting and thickness options
- ◇ **Panning & Trim Choices**
  - Wide variety of panning, receptor and trim available
- ◇ **Colors**
  - High-performance Textured Black laminate (interior/exterior)
  - High-performance Textured Black laminate (exterior only with White vinyl or Textured Black laminate interior)
  - High-performance Textured Dark Bronze laminate (exterior only with White vinyl interior)
  - Twelve painted exterior colors (with White or Sandstone vinyl interior)
  - Unlimited custom painted exterior colors



# V700 Series 3 1/4" Frame Depth Project-Out

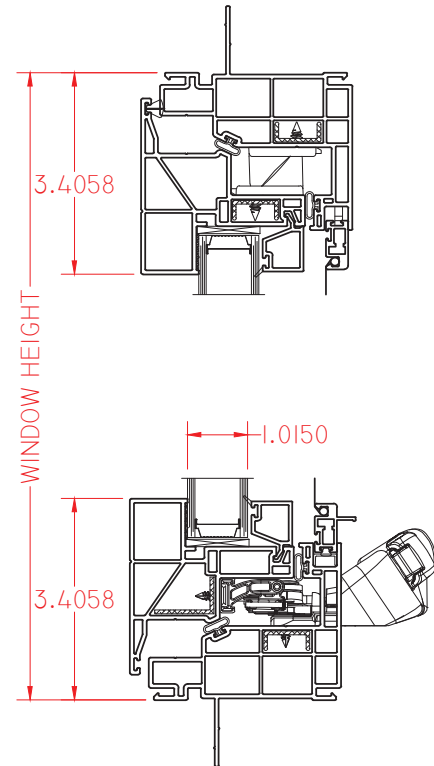
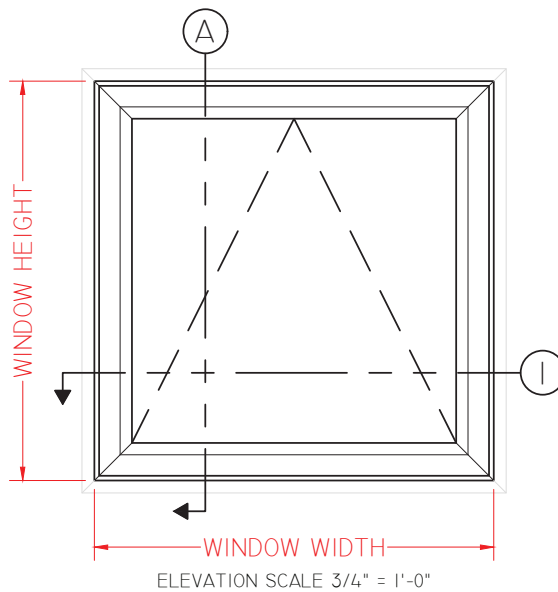
## V700 SERIES PROJECT-OUT

This document contains confidential and proprietary information intended for the private use of Quaker.  
 © 2016 Quaker Window Products Co., INC. All rights reserved.  
 Quaker reserves the right to change any/all designs without notice. Due to periodic re-certification requirements, result shown may vary.



I HORIZONTAL  
CROSS SECTION

A VERTICAL  
CROSS SECTION



SCALE 1:3

Our products are tested to the standards of and certified by some of the foremost organizations in the fenestration industry.

