



M700 5" Frame Depth Sliding Door

M700 SERIES SLIDING DOOR

FEATURES

- ◇ **Commercial Framing System**
 - 5" main frame
 - 0.070 extruded wall thickness of frame
 - 0.062" extruded wall thickness of sash
 - Frames shipped K.D.
- ◇ **Thermally Enhanced Design**
 - Azon pour and debridge thermal break is ½" wide in all main frame and vent rail extrusions
 - Internal weep system for effective water damage
 - Steel Roller System
 - Mitered panels with heavy-duty corner keys
- ◇ **Integral Nailing Fin**
- ◇ **Glazing**
 - Impact-rated tempered insulated glass
- ◇ **Hardware**
 - Heavy-duty steel rollers operate in stainless steel roller track, making operation easy and smooth
 - D-Loop Handle hardware (interior & exterior)
- ◇ **Screen**
 - Extruded aluminum screen frame with BetterVue™ mesh with WaterShed® technology

OPTIONS

- ◇ **Available Configurations**
 - Fixed-Active
 - Active-Fixed
- ◇ **Muntin Choices**
 - Internal or simulated divided lites available
- ◇ **Screen**
 - Extruded aluminum screen frame with aluminum wire mesh
 - Extruded aluminum screen frame with sunscreen mesh
 - Extruded aluminum screen frame with stainless steel 0.009" thickness mesh
- ◇ **Glazing**
 - Multiple Low-E and argon glazing choices
 - Sound attenuation glazing packages for STC/OITC
- ◇ **Hardware**
 - Premium 2" roller system
 - Flush Handle hardware
- ◇ **Panning & Trim Choices**
 - Wide variety of panning, receptor and trim available

BENEFITS

- ◇ Meets ASTM 1886 (Large Missile Impact testing)
- ◇ The capacity to match exterior colors for unique project facades
- ◇ The ability to facilitate custom sizes for taller and wider door openings
- ◇ Florida Building Approved FL30496

PERFORMANCE

- ◇ Structural & Thermal (test reports or thermal simulations available upon request)

	Active-Fixed
Test Size	123" x 96"
NAFS Rating	AW-PG70-SD
Design Pressure	70
Air Infiltration	
Water (No Penetration) P.S.F.	
U-Value (ranges based on multiple Low-E/Argon combinations)	
SHGC (ranges based on multiple Low-E/Argon combinations)	
Missile Level	Level D
Wind Zone	Zone 4

Operating Force:

M700 Active-Fixed
37.3 lbf (initiate motion),
24.3 lbf (maintain motion),
<1 lbf (latches)

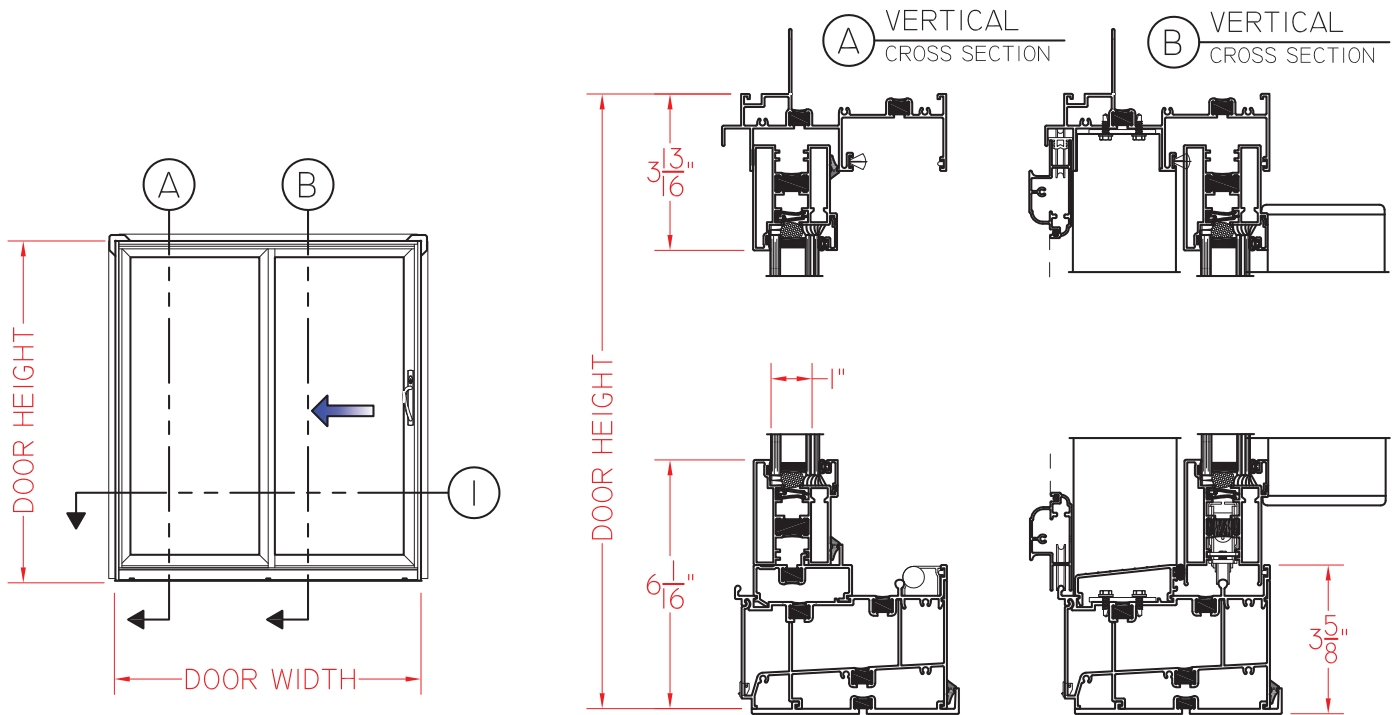
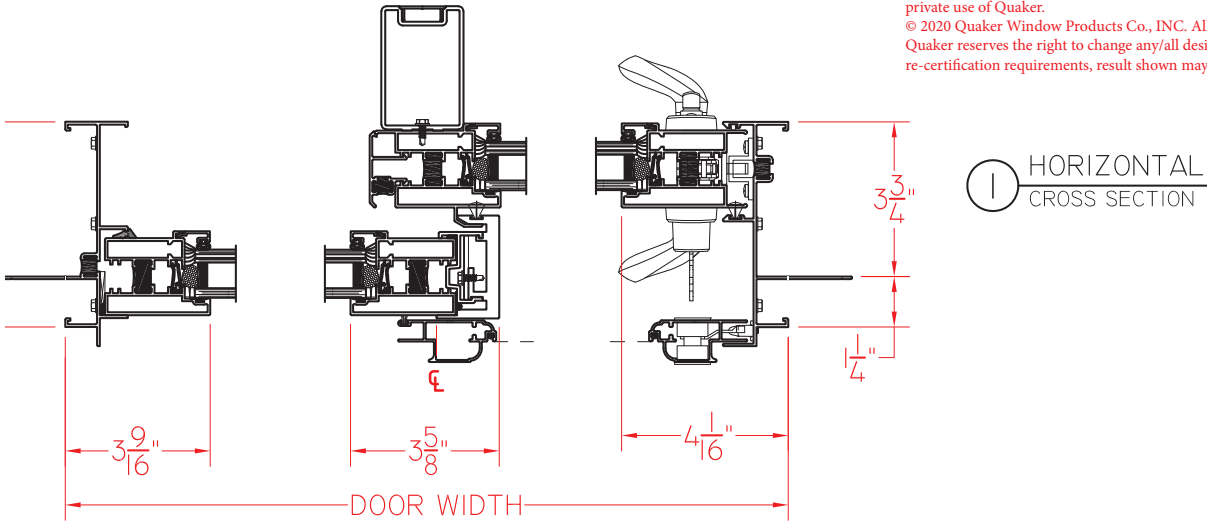
M700 Fixed-Active-Fixed
30 lbf (initiate motion),
22.6 lbf (maintain motion),
1 lbf (latches)

Our products are tested to the standards of and certified by some of the foremost organizations in the fenestration industry.



M700 SERIES SLIDING DOOR (FIXED/ACTIVE)
AS VIEWED FROM EXTERIOR

This document contains confidential and proprietary information intended for the private use of Quaker.
© 2020 Quaker Window Products Co., INC. All rights reserved.
Quaker reserves the right to change any/all designs without notice. Due to periodic re-certification requirements, result shown may vary.



ELEVATION SCALE 1/4" = 1'-0"

Our products are tested to the standards of and certified by some of the foremost organizations in the fenestration industry.

