

# H450 Series 3 1/4" Frame Depth Project-Out

## H450 SERIES PROJECT-OUT

### FEATURES

- ◇ Commercial Framing System
  - 3 1/4" main frame
  - Historically-correct bevel frame exterior
  - Minimum of 0.080" wall thickness
  - Dual Euro Groove System
  - Available with or without integral nailing fin
- ◇ Thermally Enhanced Design
  - Thermally-broken main frame and vent rails
  - Azon pour and debridge thermal break technology
- ◇ Glazing
  - 1" insulating glass
- ◇ Hardware
  - Maxim LP Locking System, 4-Bar Hinge and Roto Hardware on crank out model
  - Maxim LP Locking System, 4-Bar Hinge and Push/Pull Cup Hardware on push-out model
- ◇ Screen
  - Easily removable FlexScreen on some operating models

### OPTIONS

- ◇ Available Configurations
  - Project-out
  - Push-out or Crank-out
  - Continuous frame capabilities
  - Fixed
- ◇ Floating Operator Available Configurations
  - Multiple configurations of Fixed and Operating units with up to 5 units wide or 5 units tall, all within a continuous frame (*limitations apply*)
- ◇ Muntin Choices
  - Internal or simulated divided lites available
- ◇ Hardware
  - Limit Travel Accessories
- ◇ Screen
  - Wicket Screen (push-out model only)
- ◇ Glazing
  - Multiple Low-E and argon glazing choices
  - Glazing pocket can accept 1 3/8" insulating glass for sound attenuation purposes
  - Capillary tubes
  - Wide variety of glazing, tinting and thickness options
- ◇ Panning & Trim Choices
  - Wide variety of panning, receptor and trim available
- ◇ Mulling
  - Wide variety of structural mulls

### BENEFITS

- ◇ Historically accurate profiles to help your project meet Historic Preservation codes
- ◇ The capacity to match exterior colors for unique project facades
- ◇ The ability to facilitate large sizes for taller and wider window openings

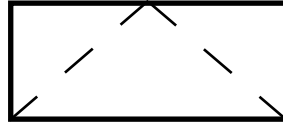
### PERFORMANCE

- ◇ Structural & Thermal (test reports or thermal simulations available upon request)

|   |             |
|---|-------------|
| Model   | Project-Out |
| Test Size:  | 60" x 36"   |
| NAFS Rating   | CW-PG90-AP  |
| Air Infiltration (cfm/ft <sup>2</sup> )                     | <0.30       |
| Water (No Penetration) P.S.F.                               | 12          |
| U-Value (ranges based on multiple Low-E/Argon combinations) | 0.39-0.59   |
| SHGC (ranges based on multiple Low-E/Argon combinations)    | 0.14-0.48   |

Our products are tested to the standards of and certified by some of the foremost organizations in the fenestration industry.



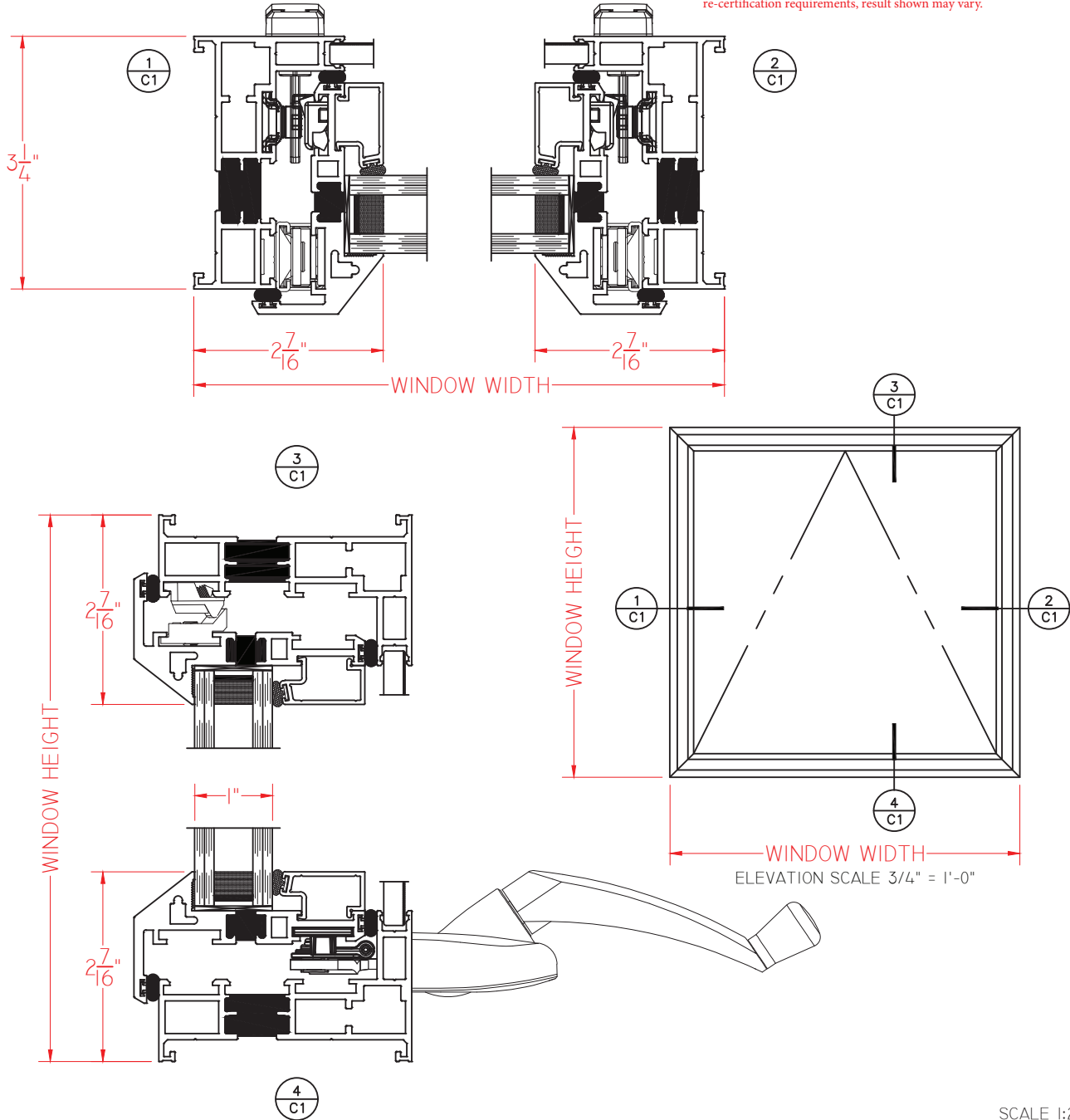


# H450 Series 3 1/4" Frame Depth Project-Out

## H450 PROJECT-OUT

WITH ROTO  
HARDWARE

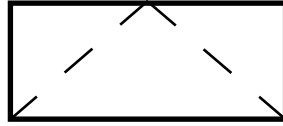
This document contains confidential and proprietary information intended for the private use of Quaker.  
© 2020 Quaker Window Products Co., INC. All rights reserved.  
Quaker reserves the right to change any/all designs without notice. Due to periodic re-certification requirements, result shown may vary.



SCALE 1:2

Our products are tested to the standards of and certified by some of the foremost organizations in the fenestration industry.



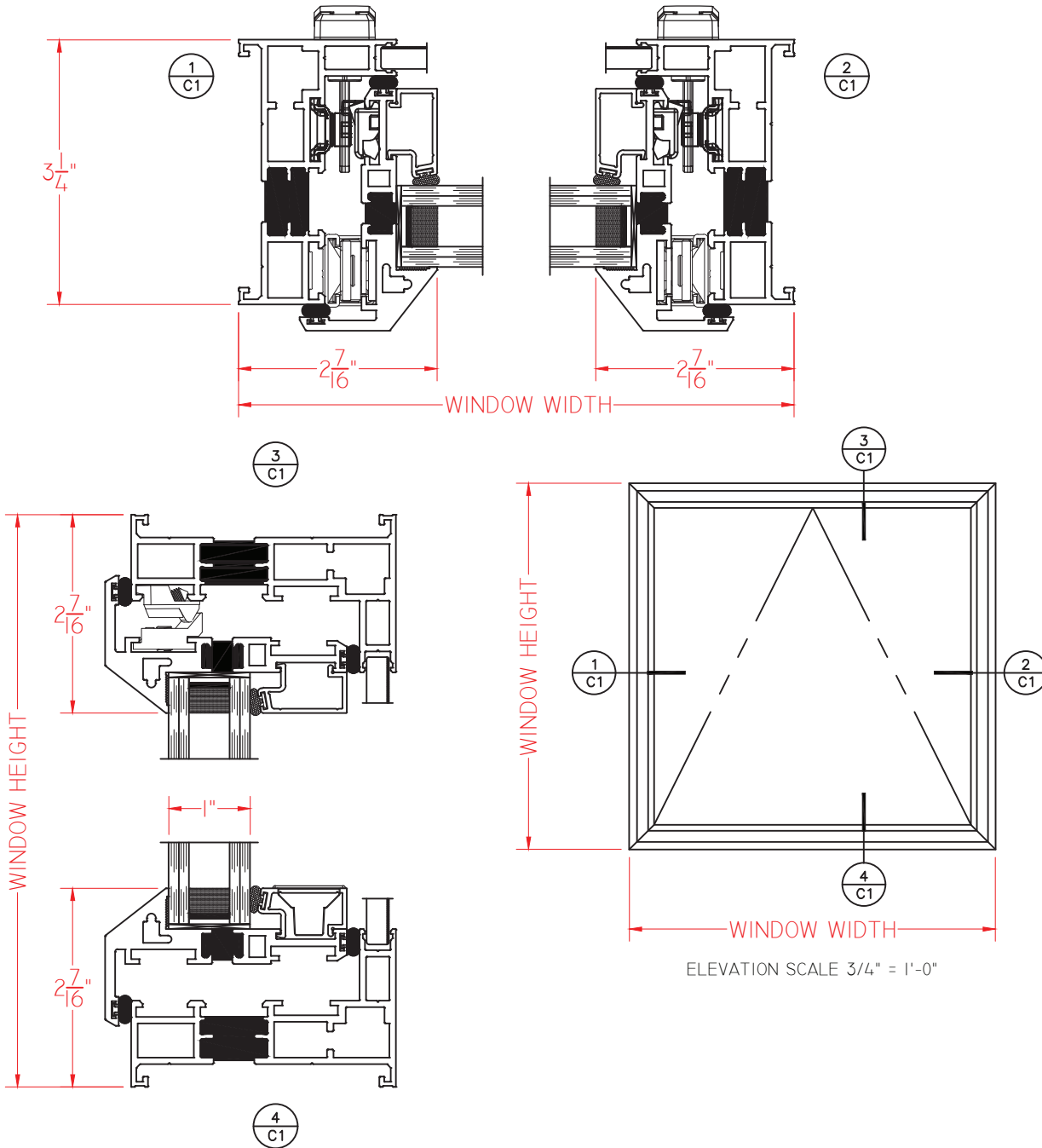


# H450 Series 3 1/4" Frame Depth Project-Out

## H450 PROJECT-OUT

WITH PUSH-PULL  
CUP HARDWARE

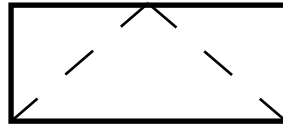
This document contains confidential and proprietary information intended for the private use of Quaker.  
© 2020 Quaker Window Products Co., INC. All rights reserved.  
Quaker reserves the right to change any/all designs without notice. Due to periodic re-certification requirements, result shown may vary.



SCALE 1:2

Our products are tested to the standards of and certified by some of the foremost organizations in the fenestration industry.



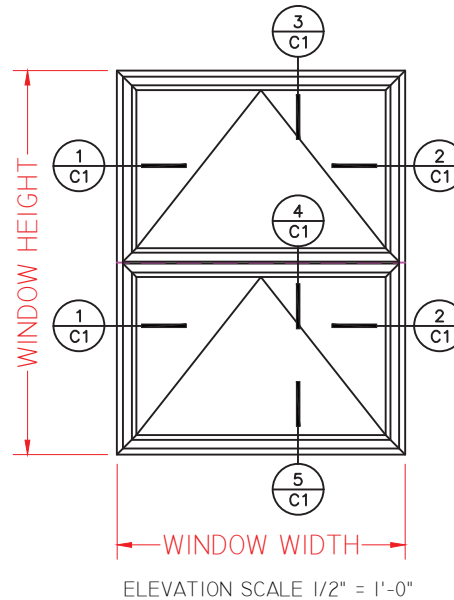
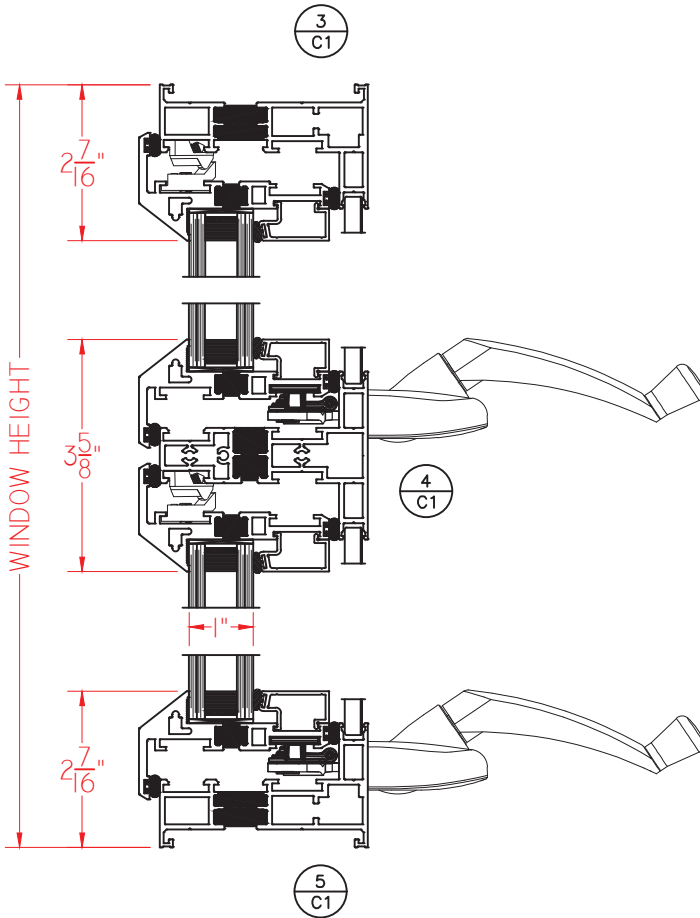
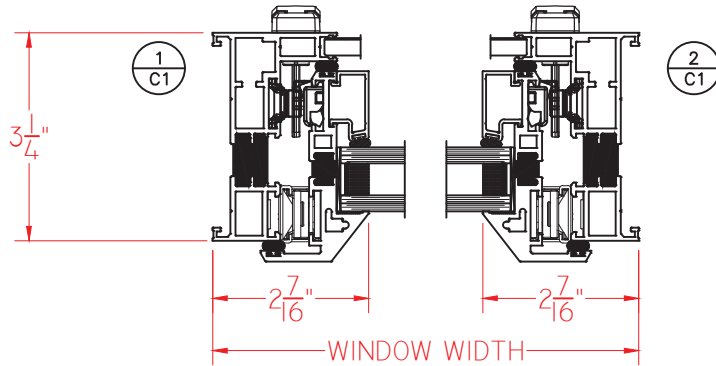


# H450 Series 3 1/4" Frame Depth Project-Out

## H450 PROJECT-OUT/PROJECT-OUT (STACKED)

WITH ROTO  
HARDWARE

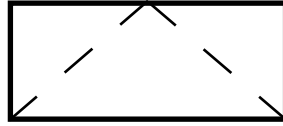
This document contains confidential and proprietary information intended for the private use of Quaker.  
© 2020 Quaker Window Products Co., INC. All rights reserved.  
Quaker reserves the right to change any/all designs without notice. Due to periodic re-certification requirements, result shown may vary.



SCALE 1:3

Our products are tested to the standards of and certified by some of the foremost organizations in the fenestration industry.

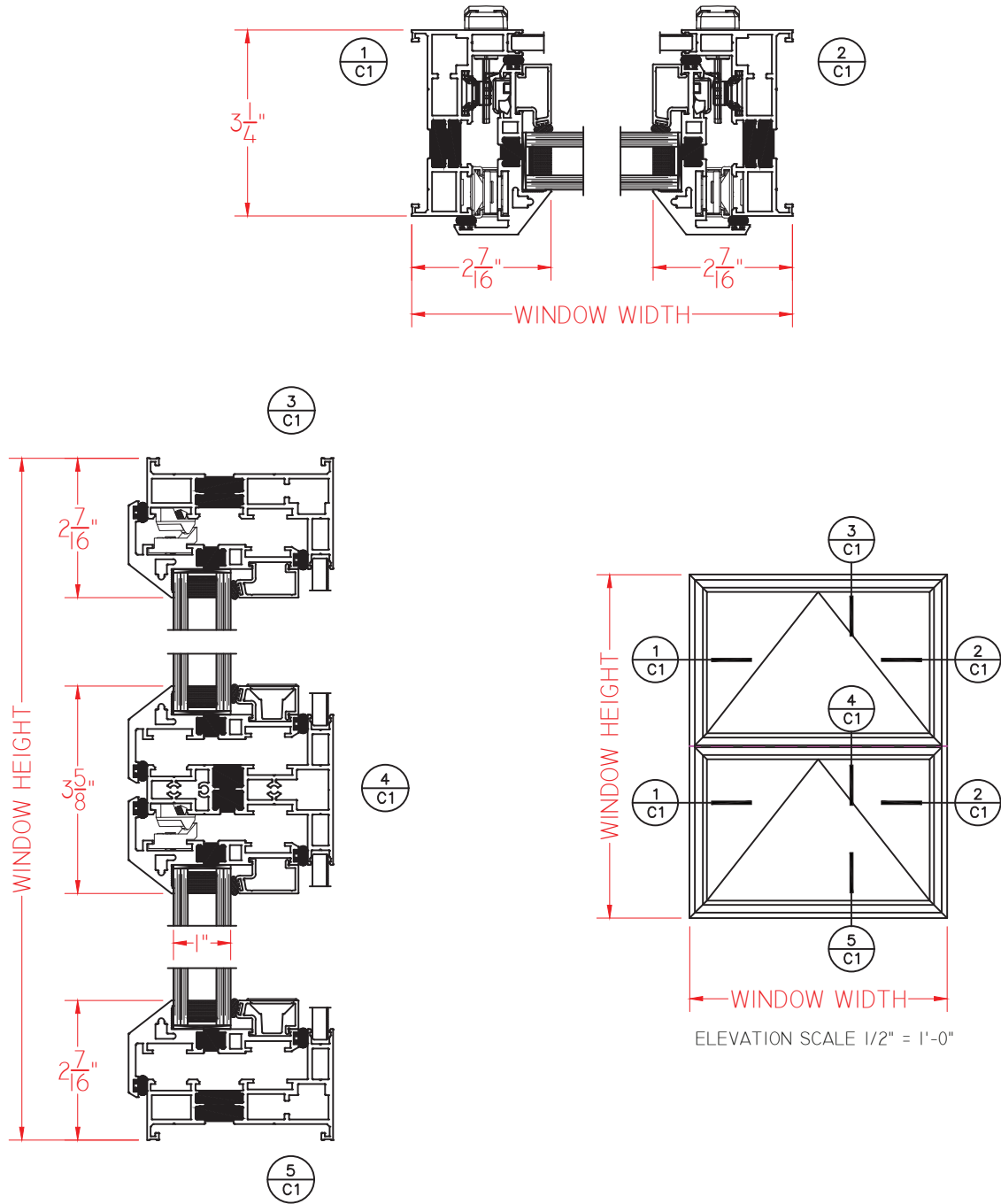




**H450 PROJECT-OUT/PROJECT-OUT (STACKED)**

**WITH PUSH-PULL  
CUP HARDWARE**

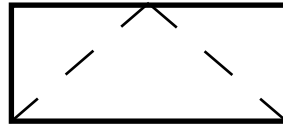
This document contains confidential and proprietary information intended for the private use of Quaker.  
© 2020 Quaker Window Products Co., INC. All rights reserved.  
Quaker reserves the right to change any/all designs without notice. Due to periodic re-certification requirements, result shown may vary.



SCALE 1:3

Our products are tested to the standards of and certified by some of the foremost organizations in the fenestration industry.



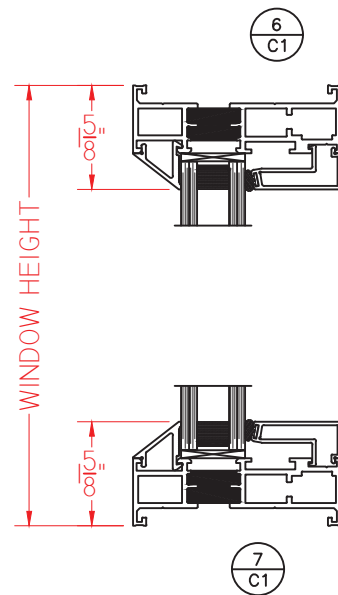
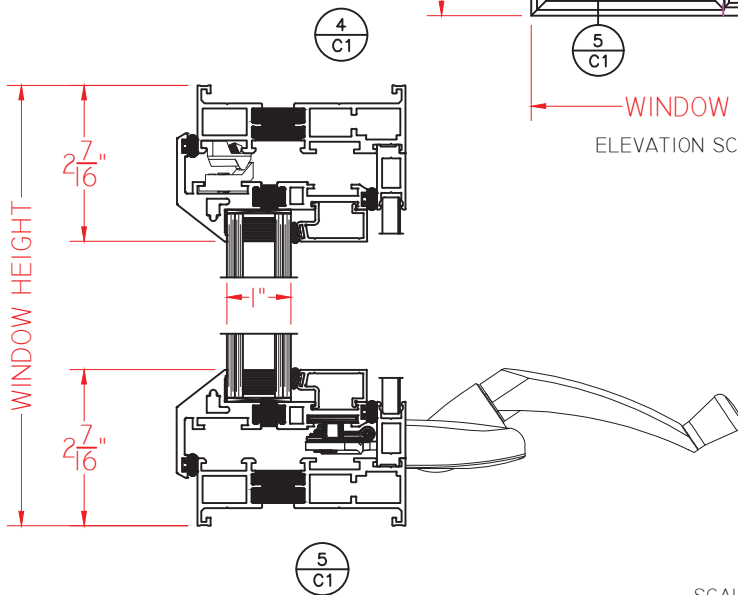
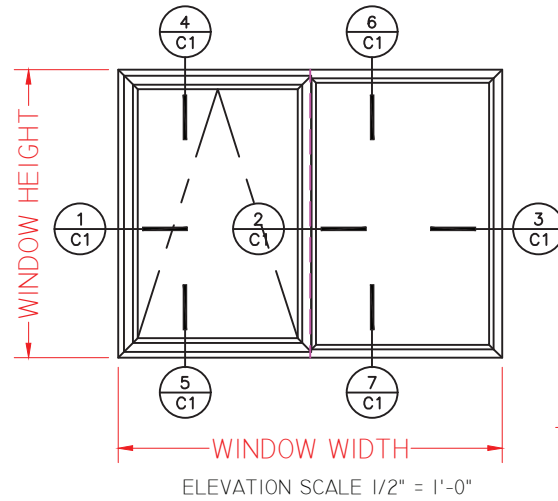
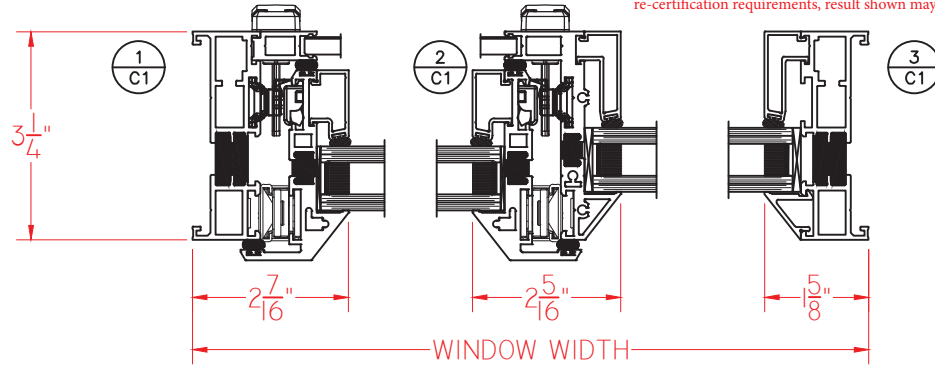


# H450 Series 3 1/4" Frame Depth Project-Out

## H450 PROJECT-OUT/FIXED (SIDE-BY-SIDE)

WITH ROTO  
HARDWARE

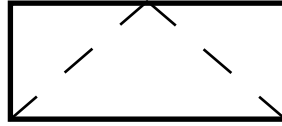
This document contains confidential and proprietary information intended for the private use of Quaker.  
© 2020 Quaker Window Products Co., INC. All rights reserved.  
Quaker reserves the right to change any/all designs without notice. Due to periodic re-certification requirements, result shown may vary.



SCALE 1:3

Our products are tested to the standards of and certified by some of the foremost organizations in the fenestration industry.

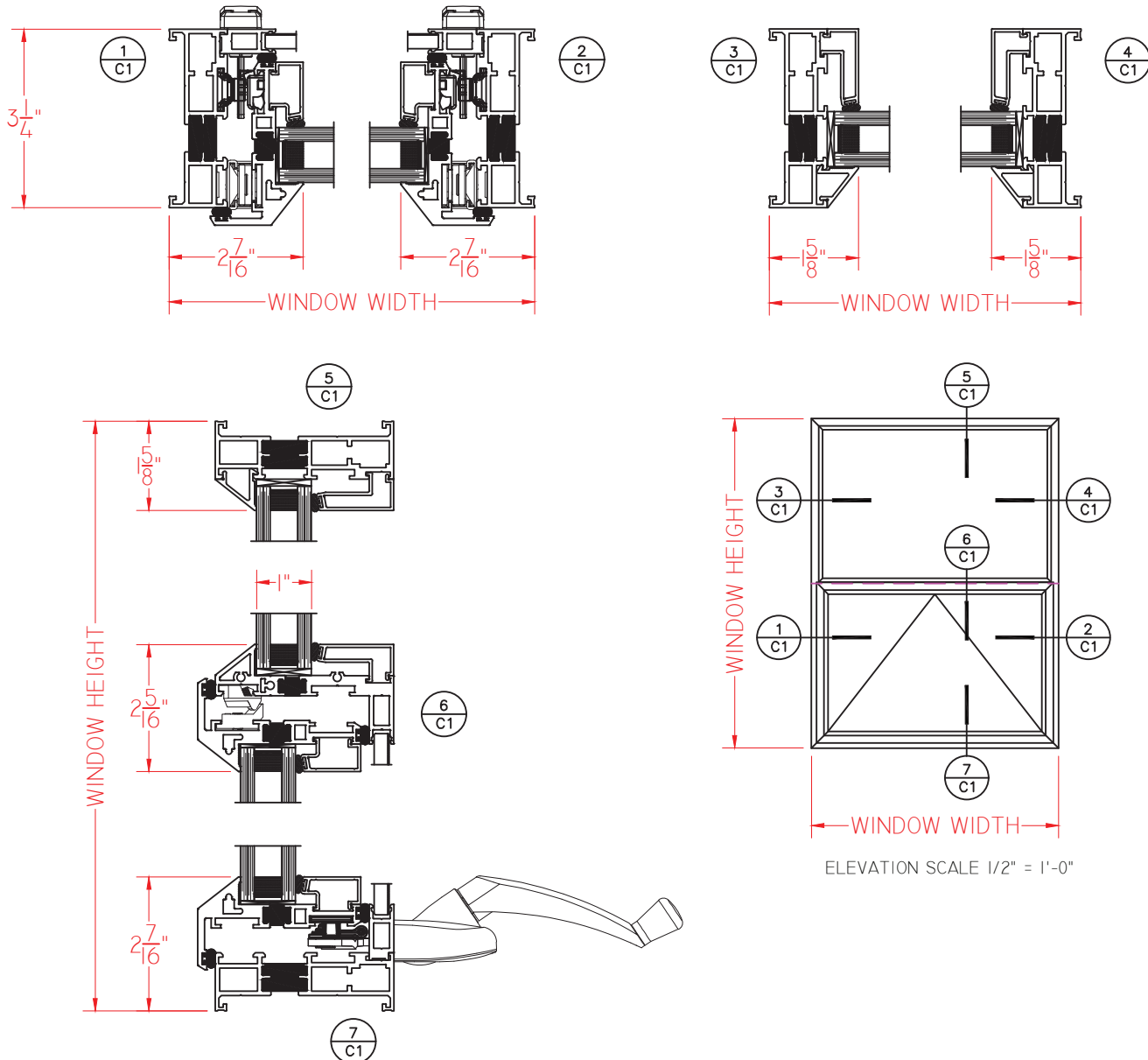




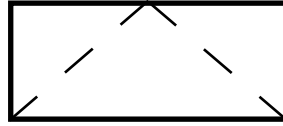
**H450 PROJECT-OUT/FIXED (STACKED)**

**WITH ROTO  
HARDWARE**

This document contains confidential and proprietary information intended for the private use of Quaker.  
© 2020 Quaker Window Products Co., INC. All rights reserved.  
Quaker reserves the right to change any/all designs without notice. Due to periodic re-certification requirements, result shown may vary.



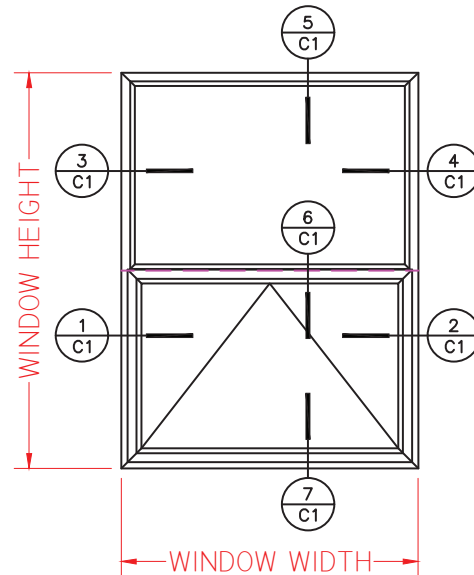
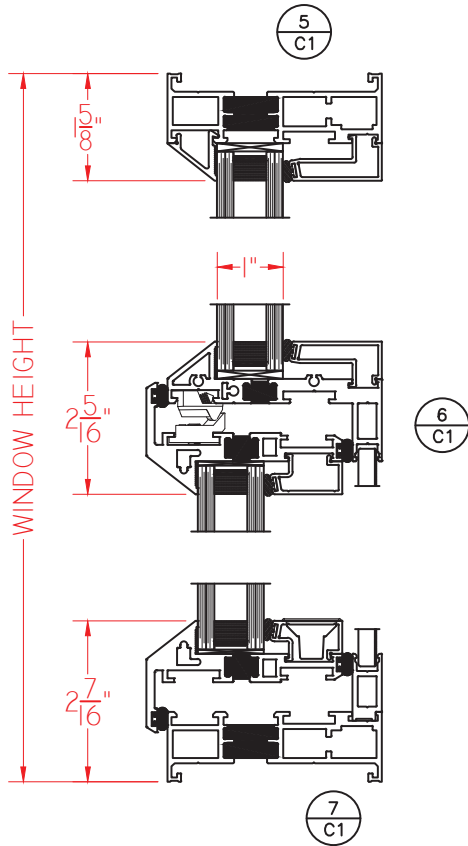
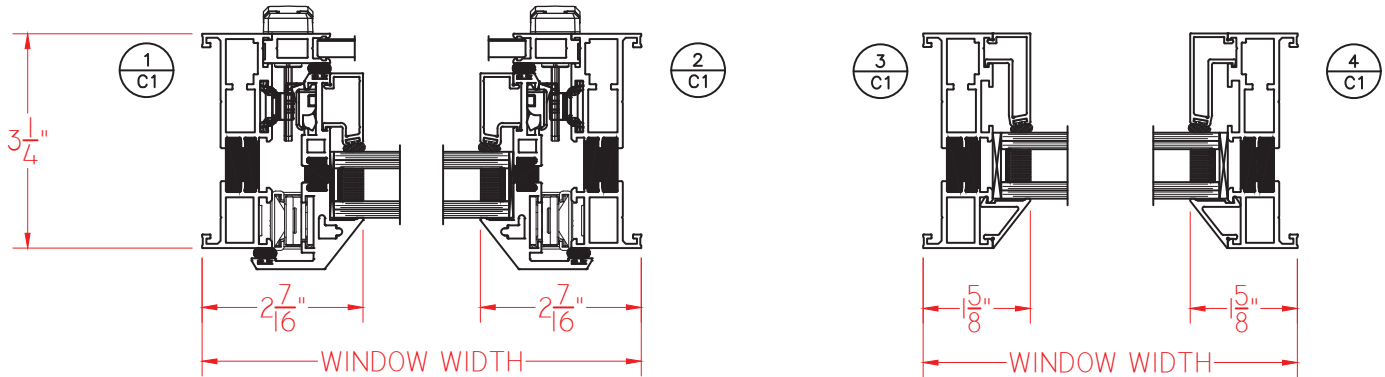
SCALE 1:3



**H450 FIXED/PROJECT-OUT (STACKED)**

**WITH PUSH-PULL  
CUP HARDWARE**

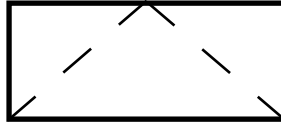
This document contains confidential and proprietary information intended for the private use of Quaker.  
© 2020 Quaker Window Products Co., INC. All rights reserved.  
Quaker reserves the right to change any/all designs without notice. Due to periodic re-certification requirements, result shown may vary.



ELEVATION SCALE 1/2" = 1'-0"

SCALE 1:3



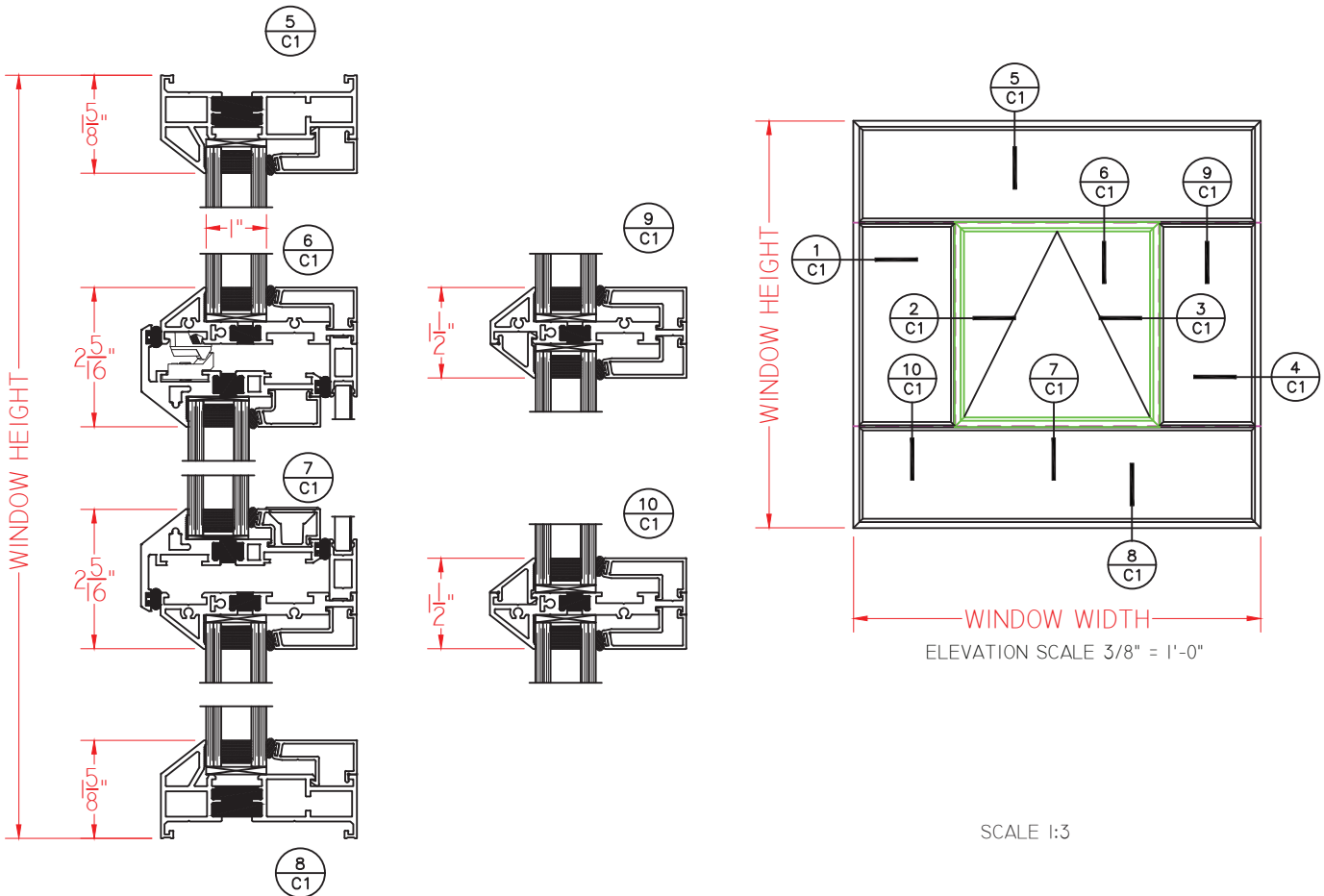
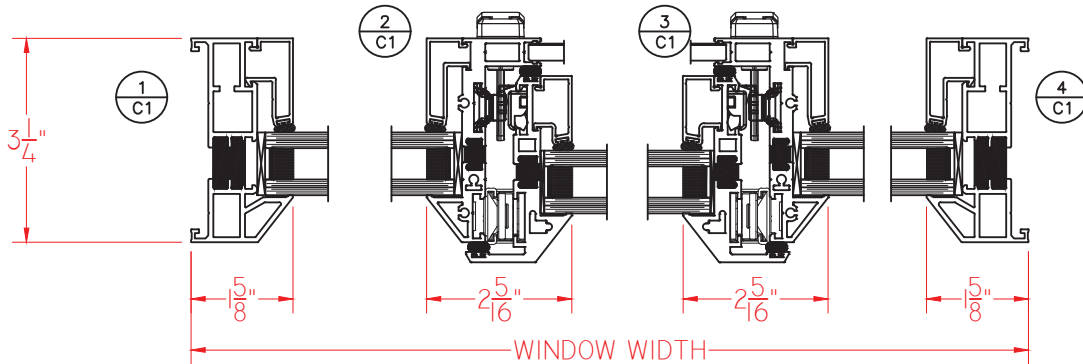


# H450 Series 3 1/4" Frame Depth Project-Out

## H450 FLOATING OPERATOR

WITH PUSH-PULL  
CUP HARDWARE

This document contains confidential and proprietary information intended for the private use of Quaker.  
© 2020 Quaker Window Products Co., INC. All rights reserved.  
Quaker reserves the right to change any/all designs without notice. Due to periodic re-certification requirements, result shown may vary.



Our products are tested to the standards of and certified by some of the foremost organizations in the fenestration industry.

