



# H650-H655 Series 4 1/8" Frame Depth Fixed

## H650-H655 SERIES FIXED

### FEATURES

- ◇ Commercial Framing System
  - 4 1/8" main frame
  - Sealable corner keys
  - Screw connections
  - 0.090" wall thickness of interior and exterior walls
  - Nail flange main frame (H655) or no nail flange (H650)
- ◇ Enhanced Design
  - Azon pour and debridge thermal break is 1/2" wide in main frame
  - Clean squared edges
  - 3 1/2" narrow sitalines
- ◇ Glazing
  - 1" insulated glass

### OPTIONS

- ◇ Available Configurations
  - Geometric Shapes
  - Continuous frame capabilities
- ◇ Muntin Choices
  - Internal or simulated divided lites available
- ◇ Glazing
  - Multiple Low-E and argon glazing choices
  - Capillary tubes
  - Wide variety of glazing, tinting and thickness options
- ◇ Panning & Trim Choices
  - Wide variety of panning, receptor and trim available
- ◇ Mulling
  - Wide variety of structural mulls

### BENEFITS

- ◇ The capacity to match exterior colors for unique project facades
- ◇ The ability to facilitate large sizes for taller and wider window openings
- ◇ Historically accurate panning and trim styles to help your project meet Historic Preservation codes

### PERFORMANCE

- ◇ Structural & Thermal (test reports or thermal simulations available upon request)

Model	Fixed
Window Test Size	60" x 99"
NAFS Rating	AW-PG90
Air at 50 MPH (cfm/ft <sup>2</sup> )	<.10
Water (No Penetration) P.S.F.	12
U-Value (ranges based on multiple Low-E/Argon combinations)	
SHGC (ranges based on multiple Low-E/Argon combinations)	

Our products are tested to the standards of and certified by some of the foremost organizations in the fenestration industry.



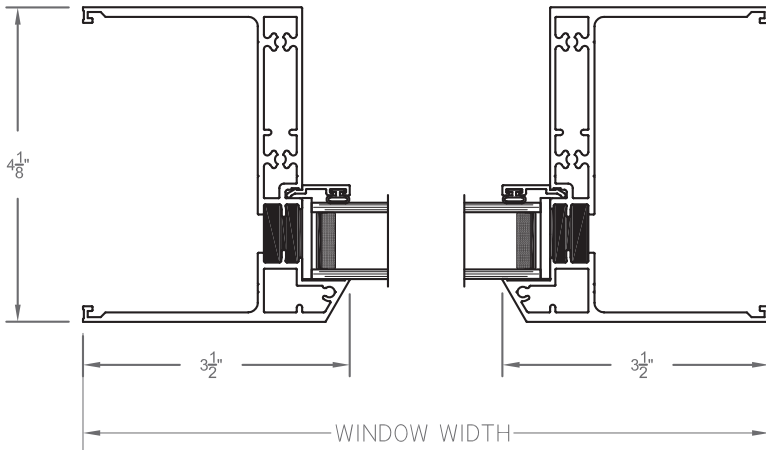


# H650 Series 4 1/8' Frame Depth Fixed

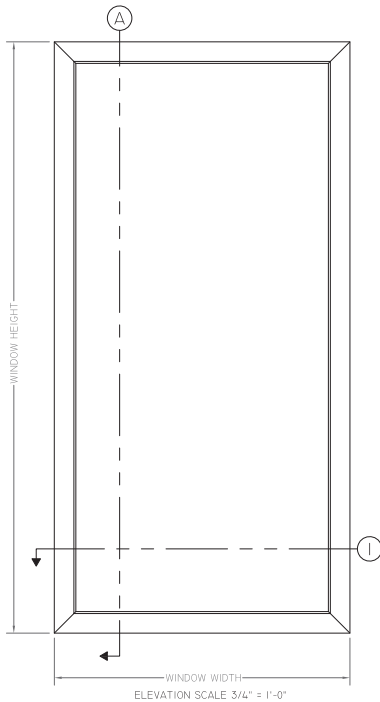
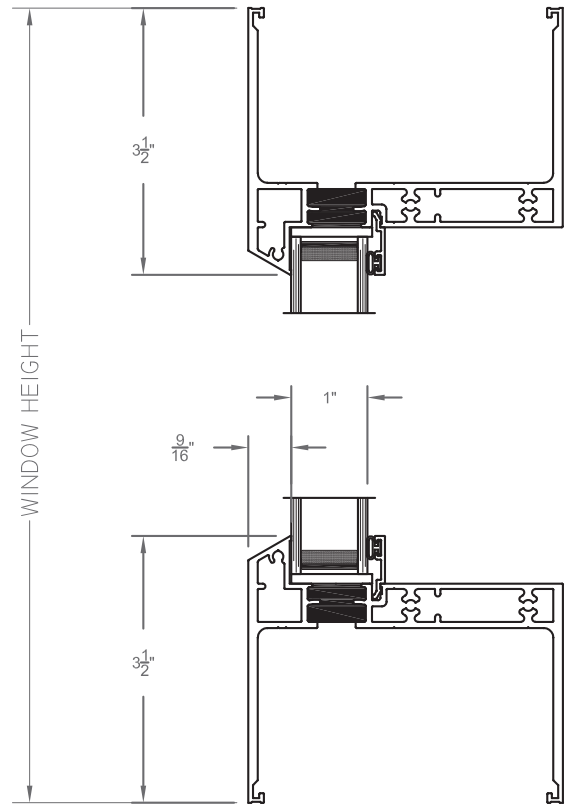
## H650 SERIES FIXED

This document contains confidential and proprietary information intended for the private use of Quaker.  
 © 2021 Quaker Window Products Co., Inc. All rights reserved.  
 Certain aspects of the products, designs, or methods shown may be subject to patent rights or pending patent applications. For more information, see <https://quakerwindows.com/patents/>  
 Quaker reserves the right to change any/all designs without notice. Due to periodic re-certification requirements, result shown may vary.

① HORIZONTAL  
CROSS SECTION



Ⓐ VERTICAL  
CROSS SECTION



SCALE 1:3

Our products are tested to the standards of and certified by some of the foremost organizations in the fenestration industry.

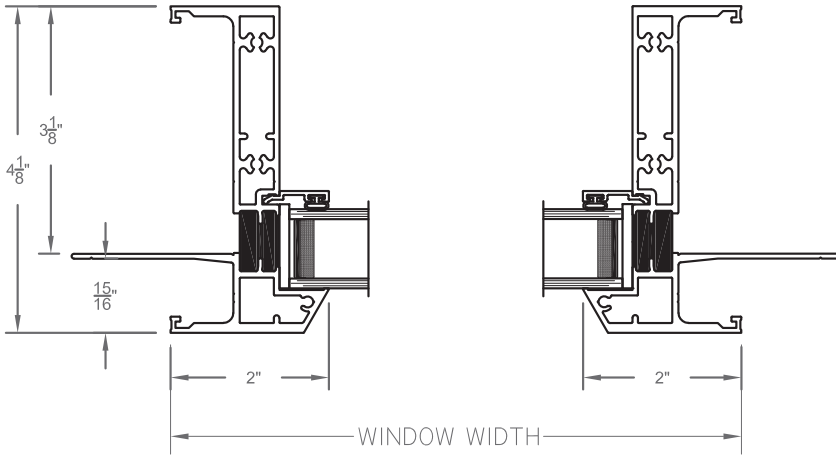




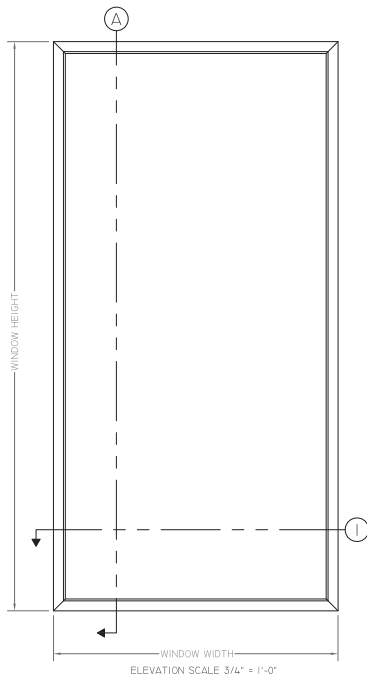
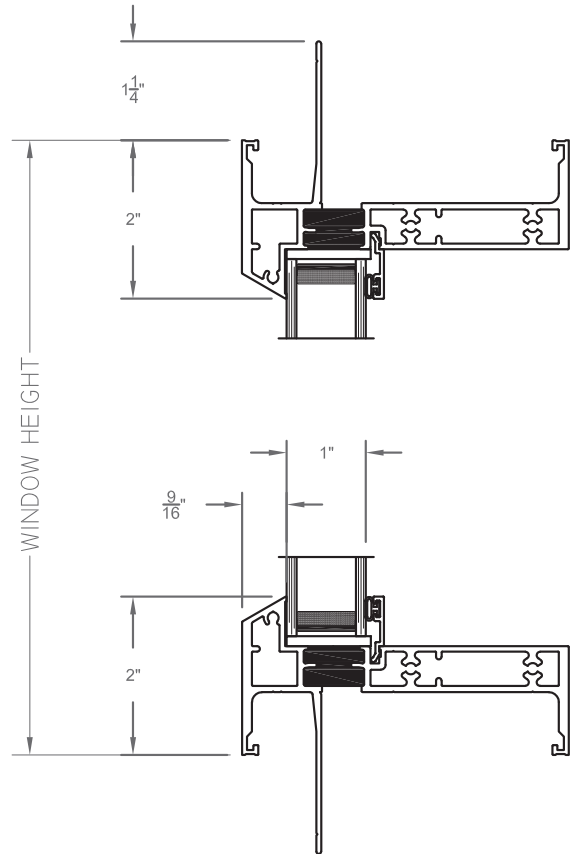
# H655 SERIES FIXED

This document contains confidential and proprietary information intended for the private use of Quaker.  
© 2021 Quaker Window Products Co., Inc. All rights reserved.  
Certain aspects of the products, designs, or methods shown may be subject to patent rights or pending patent applications. For more information, see <https://quakerwindows.com/patents/>  
Quaker reserves the right to change any/all designs without notice. Due to periodic re-certification requirements, result shown may vary.

① HORIZONTAL  
CROSS SECTION



Ⓐ VERTICAL  
CROSS SECTION



SCALE 1:3

Our products are tested to the standards of and certified by some of the foremost organizations in the fenestration industry.

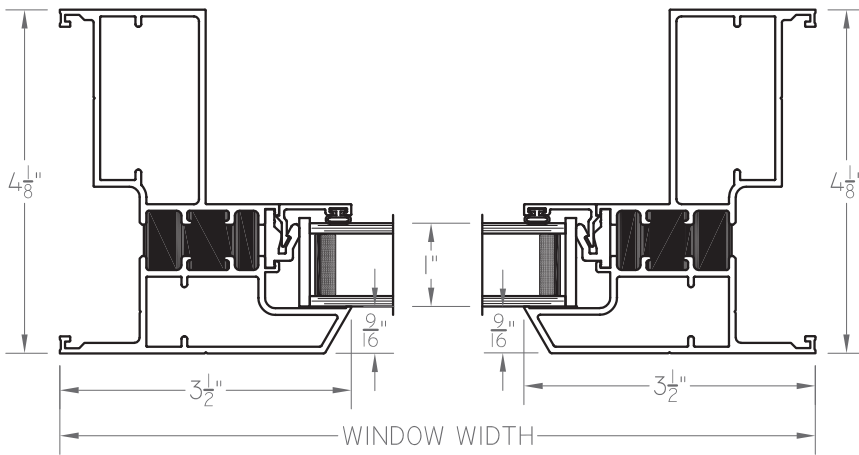




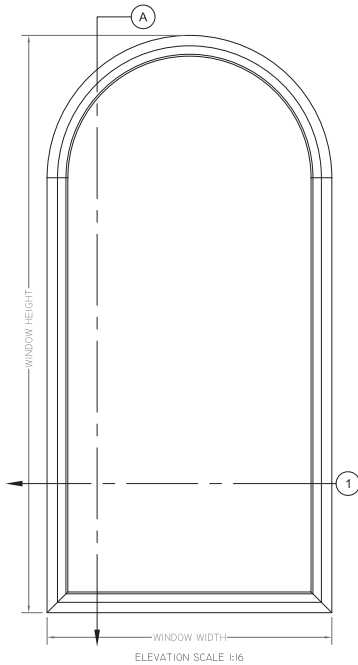
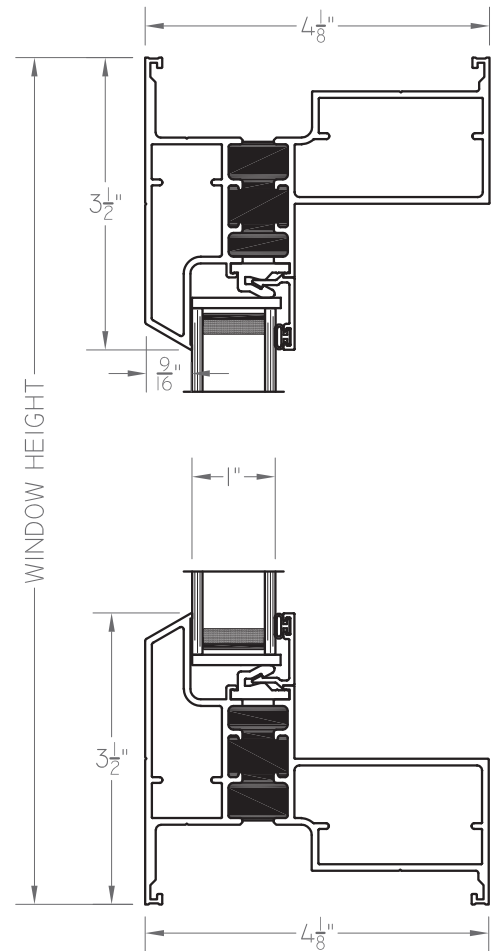
# H650 SERIES GEOMETRIC FIXED

This document contains confidential and proprietary information intended for the private use of Quaker.  
© 2021 Quaker Window Products Co., Inc. All rights reserved.  
Certain aspects of the products, designs, or methods shown may be subject to patent rights or pending patent applications. For more information, see <https://quakerwindows.com/patents/>  
Quaker reserves the right to change any/all designs without notice. Due to periodic re-certification requirements, result shown may vary.

① HORIZONTAL  
CROSS SECTION



Ⓐ VERTICAL  
CROSS SECTION



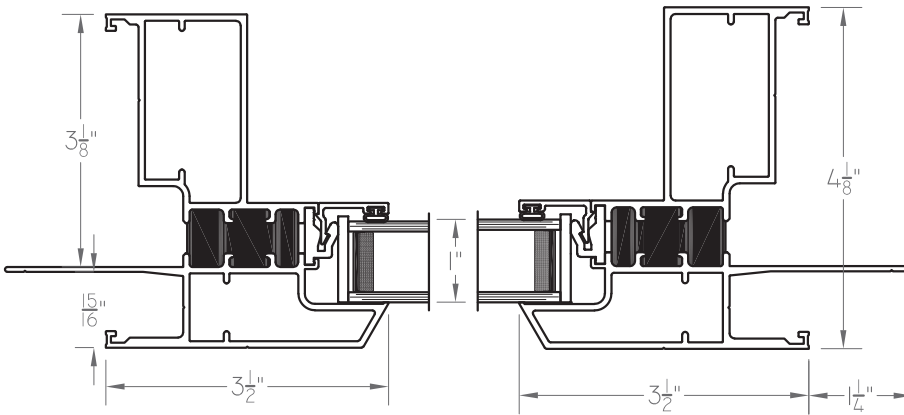
SCALE 1:3



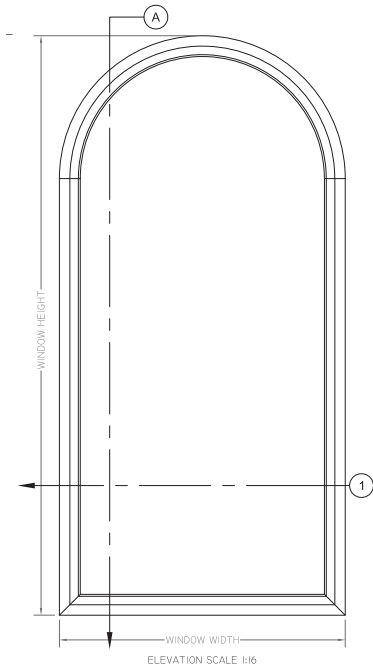
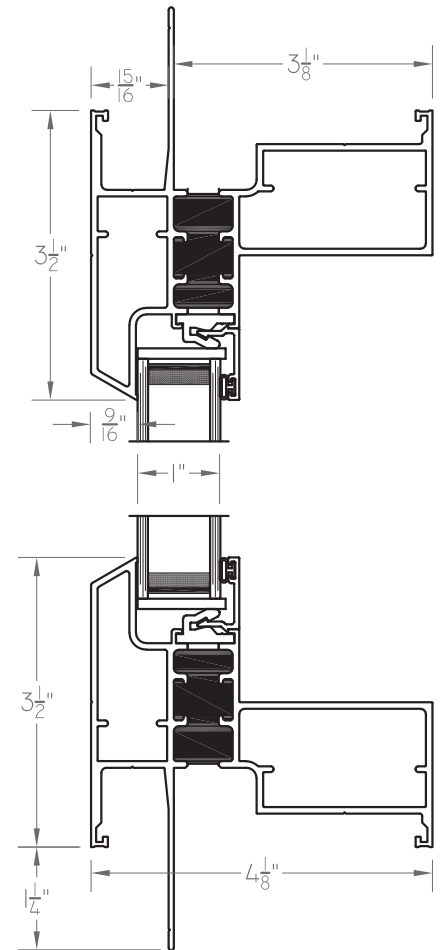
# H655 SERIES GEOMETRIC FIXED

This document contains confidential and proprietary information intended for the private use of Quaker.  
© 2021 Quaker Window Products Co., Inc. All rights reserved.  
Certain aspects of the products, designs, or methods shown may be subject to patent rights or pending patent applications. For more information, see <https://quakerwindows.com/patents/>  
Quaker reserves the right to change any/all designs without notice. Due to periodic re-certification requirements, result shown may vary.

**I** HORIZONTAL  
CROSS SECTION



**A** VERTICAL  
CROSS SECTION



Our products are tested to the standards of and certified by some of the foremost organizations in the fenestration industry.

