

E600 Series 3 1/4" Frame Depth Fixed

E600 SERIES FIXED

FEATURES

- ◇ Commercial Framing System
 - 3 1/4" main frame
 - Sealable corner keys
 - Screw connections
 - 0.094" wall thickness of interior and exterior walls, 0.070" wall thickness elsewhere
- ◇ Enhanced Design
 - Azon pour and debridge thermal break is 1/2" wide in all main frame and vent rail extrusions
 - Clean squared edges
 - 2" narrow sitalines
- ◇ Glazing
 - 1" insulated glass

OPTIONS

- ◇ Available Configurations
 - Wire frame capabilities
- ◇ Muntin Choices
 - Internal or simulated divided lites available
- ◇ Nailing Fin
- ◇ Glazing
 - Multiple Low-E and argon glazing choices Capillary tubes
 - Optional glazing stop to accept 1 3/8" triple glazing (Energy TG)
 - Wide variety of glazing, tinting and thickness options
- ◇ Panning & Trim Choices
 - Wide variety of panning, receptor and trim available
- ◇ Mulling
 - Wide variety of structural mulls

BENEFITS

- ◇ The capacity to match exterior colors for unique project facades
- ◇ The ability to facilitate large sizes for taller and wider window openings

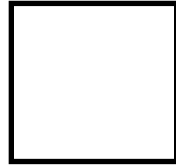
PERFORMANCE

- ◇ Structural & Thermal (test reports or thermal simulations available upon request)

Model	Fixed
Test Size	60" x 99"
NAFS Rating	AW-PG100
Structural Load P.S.F.	150.38
Air at 50 MPH (cfm/ft ²)	<0.10
Water (No Penetration) P.S.F.	15.04
U-Value (ranges based on multiple Low-E/Argon combinations)	0.17-0.31
SHGC (ranges based on multiple Low-E/Argon combinations)	0.13-0.55

Our products are tested to the standards of and certified by some of the foremost organizations in the fenestration industry.

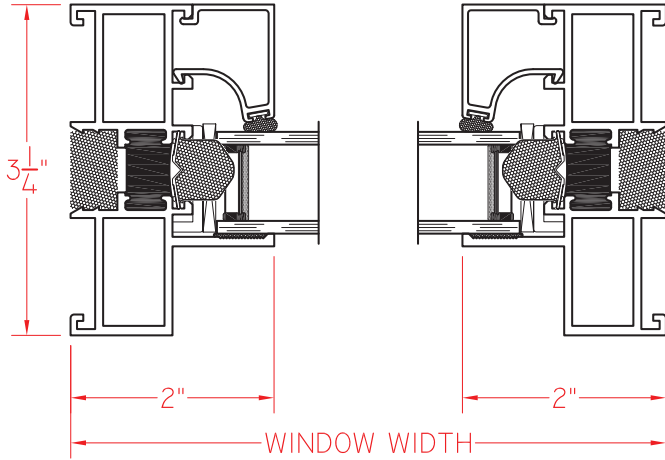




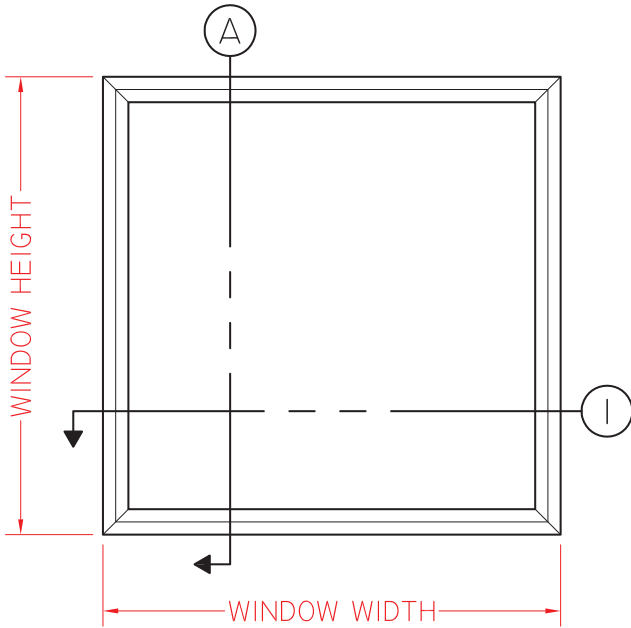
E600 Series
3 1/4" Frame Depth
Fixed

E600 FIXED

This document contains confidential and proprietary information intended for the private use of Quaker.
 © 2016 Quaker Window Products Co., INC. All rights reserved.
 Quaker reserves the right to change any/all designs without notice. Due to periodic re-certification requirements, result shown may vary.

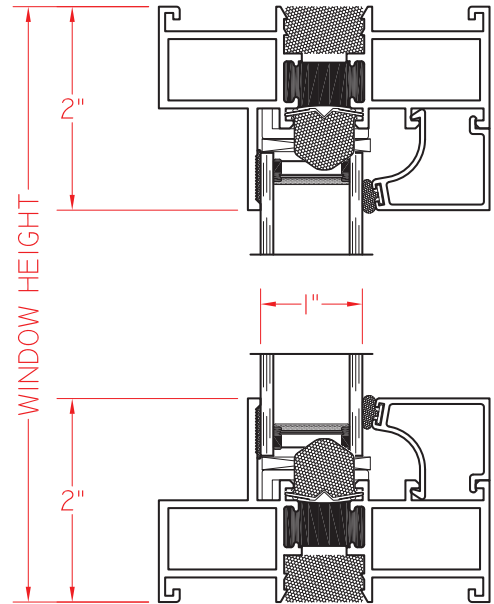


I HORIZONTAL CROSS SECTION



ELEVATION SCALE 3/4" = 1'-0"

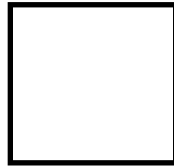
A VERTICAL CROSS SECTION



SCALE 1:2

Our products are tested to the standards of and certified by some of the foremost organizations in the fenestration industry.

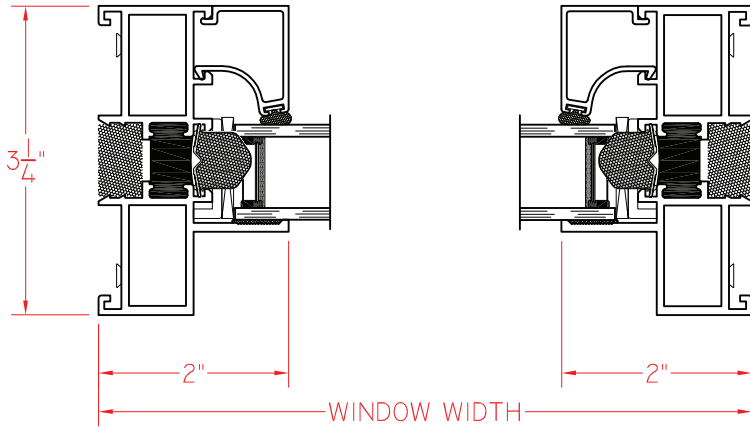




E600 Series 3 1/4" Frame Depth Fixed

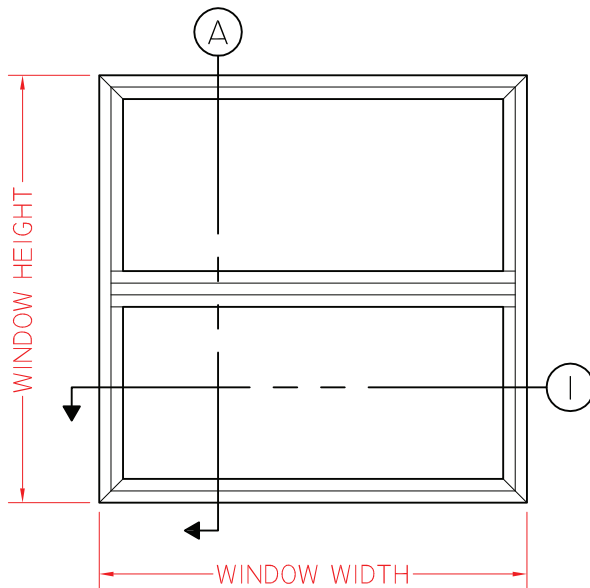
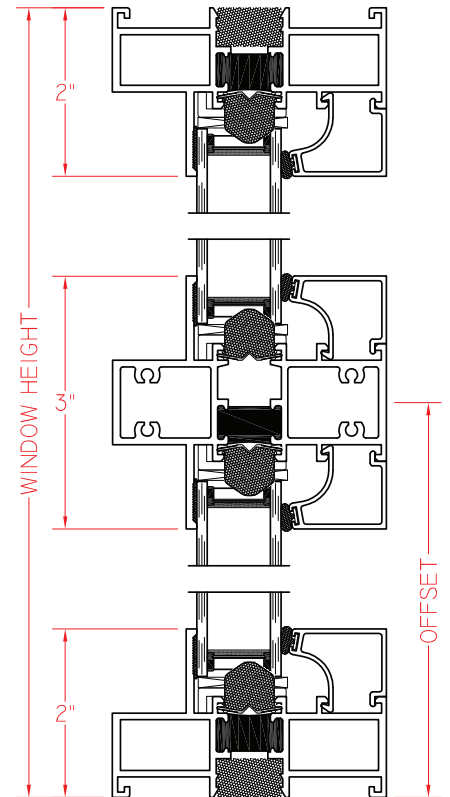
E600 FIXED/FIXED (STACKED)

This document contains confidential and proprietary information intended for the private use of Quaker.
 © 2016 Quaker Window Products Co., INC. All rights reserved.
 Quaker reserves the right to change any/all designs without notice. Due to periodic re-certification requirements, result shown may vary.



① HORIZONTAL CROSS SECTION

② VERTICAL CROSS SECTION



ELEVATION SCALE 3/4" = 1'-0"

SCALE 1:2

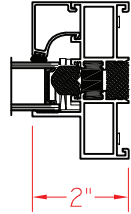
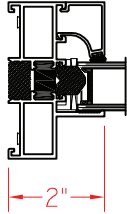
Our products are tested to the standards of and certified by some of the foremost organizations in the fenestration industry.



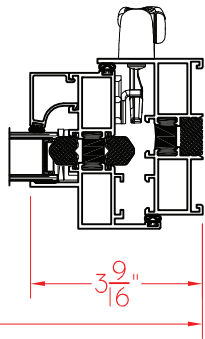
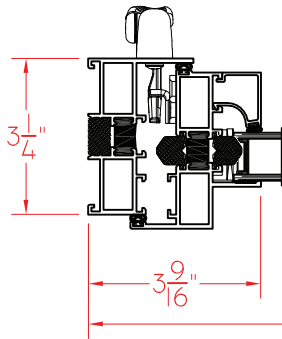


E600 FIXED/PROJECT-OUT (STACKED)

This document contains confidential and proprietary information intended for the private use of Quaker.
© 2016 Quaker Window Products Co., INC. All rights reserved.
Quaker reserves the right to change any/all designs without notice. Due to periodic re-certification requirements, result shown may vary.



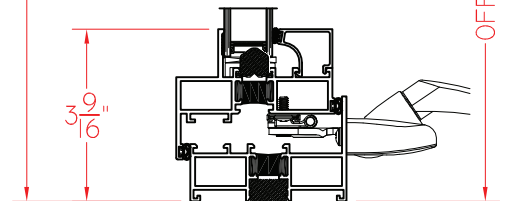
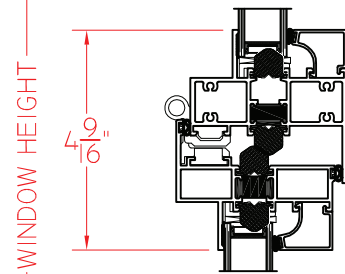
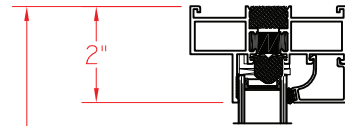
① HORIZONTAL CROSS SECTION



② HORIZONTAL CROSS SECTION

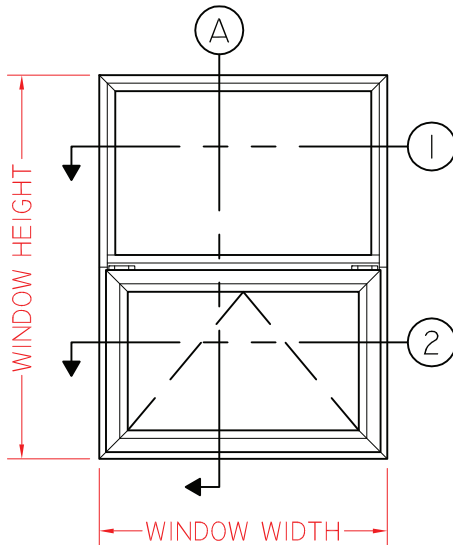
WINDOW WIDTH

Ⓐ VERTICAL CROSS SECTION



WINDOW HEIGHT

OFFSET



ELEVATION SCALE 1/2" = 1'-0"

SCALE 1:4

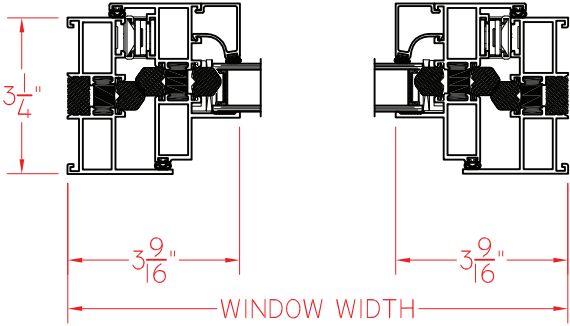


E600 FIXED/PROJECT-IN (STACKED)

This document contains confidential and proprietary information intended for the private use of Quaker.
© 2016 Quaker Window Products Co., INC. All rights reserved.
Quaker reserves the right to change any/all designs without notice. Due to periodic re-certification requirements, result shown may vary.

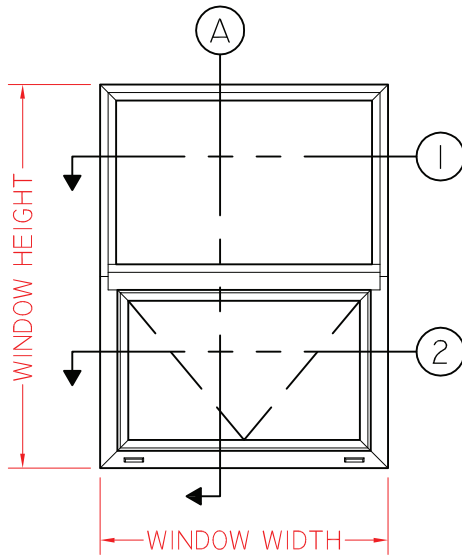
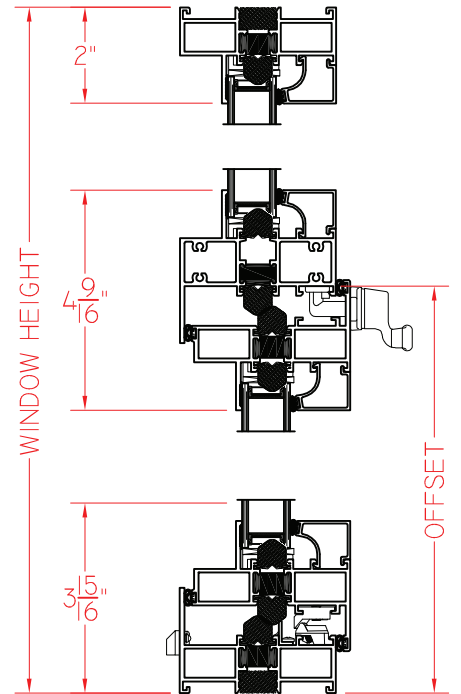


① HORIZONTAL
CROSS SECTION



② HORIZONTAL
CROSS SECTION

Ⓐ VERTICAL
CROSS SECTION



ELEVATION SCALE 1/2" = 1'-0"

SCALE 1:4