

E600 Series With Blinds/Storm Panel 3 1/4" Frame Depth Casement

E600 SERIES CASEMENT

WITH BLINDS/
STORM PANEL

FEATURES

- ◇ Commercial Framing System
 - 3 1/4" main frame
 - 0.094" wall thickness of interior and exterior walls, 0.078" wall thickness elsewhere
- ◇ Thermally Enhanced Design
 - Azon pour and debridge thermal break is 1/2" wide in all main frame and vent rail extrusions
 - Assembled with heavy duty Monticelli cast aluminum corner keys
 - Mitered and pressure sealed internally with injected silicone through corner key passages. Wrap-around marine glazing
 - Blinds/Storm Panel applied to interior
- ◇ Glazing
 - 1" insulated glass
- ◇ Hardware
 - Butt hinges with roto hardware (pull-in only)
 - 4-Bar hinges on both project-out and project-in windows
 - Euro lock (pull-in only)
 - Adjustment pole operator (roto only)
 - ADA turn handle (roto only)
 - Custodial lock (pull-in only)
- ◇ Screen
 - Extruded aluminum screen frame with BetterVue™ mesh (Crank-out only)

BENEFITS

- ◇ The capacity to match exterior colors for unique project facades
- ◇ The ability to facilitate large sizes for taller and wider window openings

OPTIONS

- ◇ Available Configurations
 - Project-out and Project-in casement
 - Push-out, Crank-out or Pull-in
 - Wire frame capabilities
- ◇ Muntin Choices
 - Internal or simulated divided lites available
- ◇ Limited Travel Hardware
- ◇ Screen
 - Extruded aluminum screen frame with aluminum wire mesh
 - Extruded aluminum screen frame with sunscreen mesh
 - Extruded aluminum screen frame with stainless steel 0.009" thickness mesh
- ◇ Glazing
 - Multiple Low-E and argon glazing choices
 - Capillary tubes
 - Wide variety of glazing, tinting and thickness options
- ◇ Panning & Trim Choices
 - Wide variety of panning, receptor and trim available
- ◇ Mulling
 - Wide variety of structural mulls

PERFORMANCE

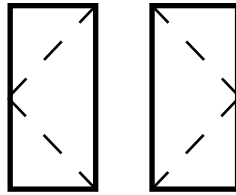
- ◇ Structural & Thermal (test reports or thermal simulations available upon request)

Model	Casement (Project-Out)	Casement (Project-In)
Test Size	36" x 60"	
NAFS Rating	AW-PG70	
Structural Load P.S.F.	105.26	
Air at 50 MPH (cfm/ft ²)	<0.10	
Water (No Penetration) P.S.F.	12.11	
U-Value (ranges based on multiple Low-E/Argon combinations)	0.35-0.39	0.32-0.36
SHGC (ranges based on multiple Low-E/Argon combinations)	0.12-0.41	0.12-0.41

Operating Force: 9 lbf (project-out casement), 14 lbf (project-in casement), 3 lbf (ADA Handle maintain motion), 3 lbf (ADA Handle lock)

Our products are tested to the standards of and certified by some of the foremost organizations in the fenestration industry.



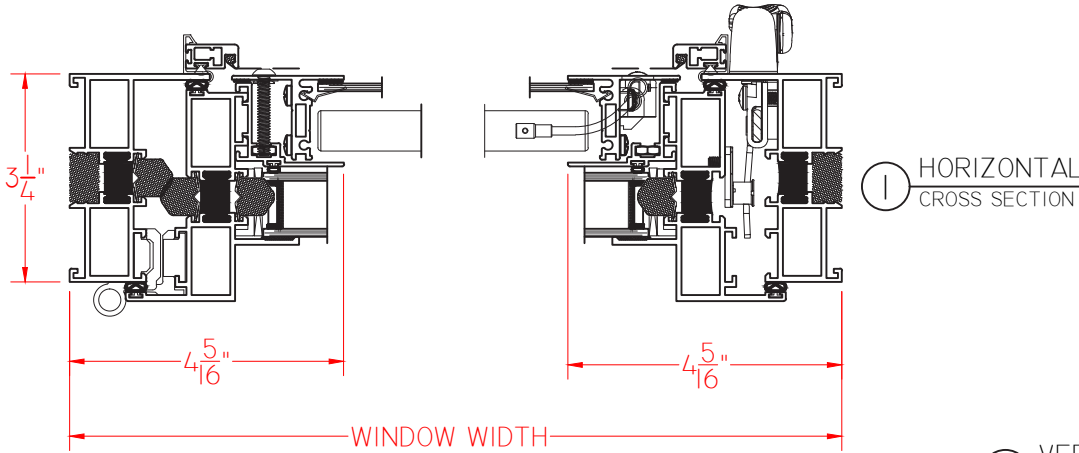


E600 Series With Blinds/Storm Panel 3 1/4" Frame Depth Casement

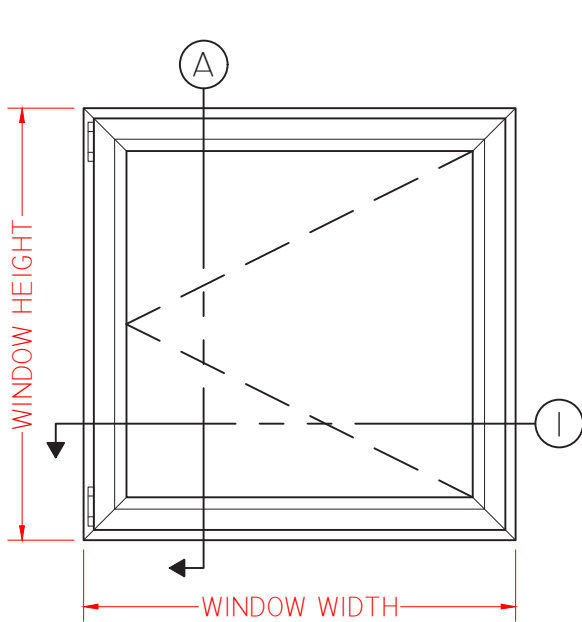
E600 OUTSWING CASEMENT

WITH BLINDS/STORM PANEL AND ROTO HARDWARE

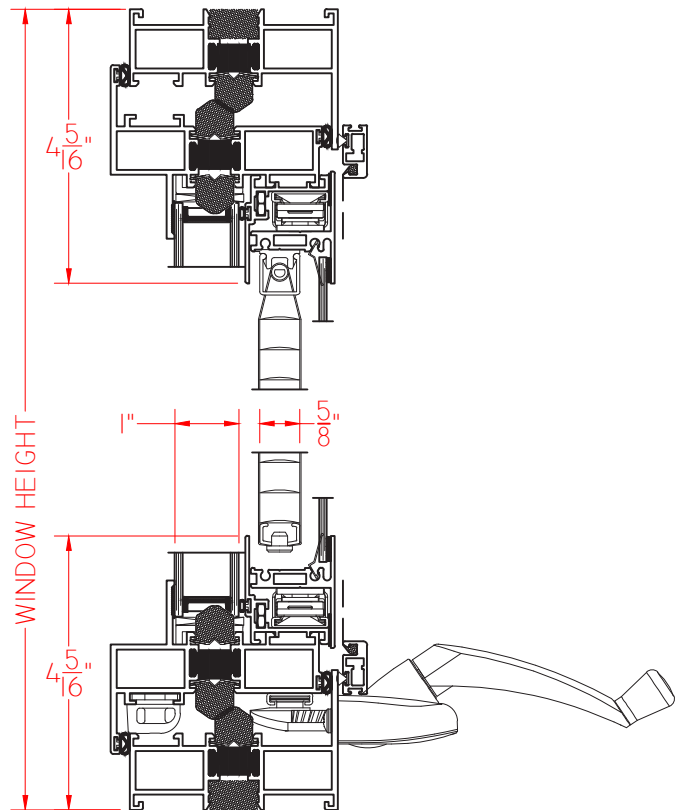
This document contains confidential and proprietary information intended for the private use of Quaker.
© 2016 Quaker Window Products Co., INC. All rights reserved.
Quaker reserves the right to change any/all designs without notice. Due to periodic re-certification requirements, result shown may vary.



A VERTICAL CROSS SECTION



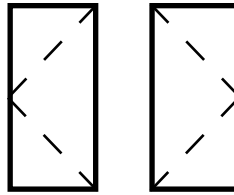
ELEVATION SCALE 3/4" = 1'-0"



SCALE 1:3

Our products are tested to the standards of and certified by some of the foremost organizations in the fenestration industry.



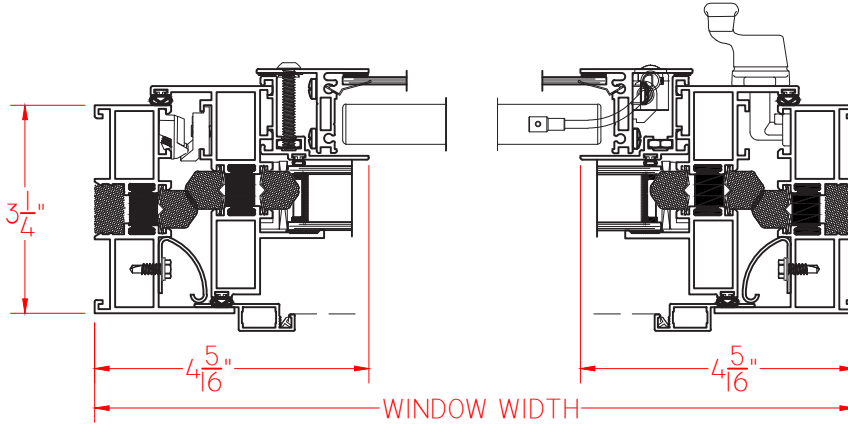


E600 Series With Blinds/Storm Panel 3 1/4" Frame Depth Casement

E600 INSWING CASEMENT

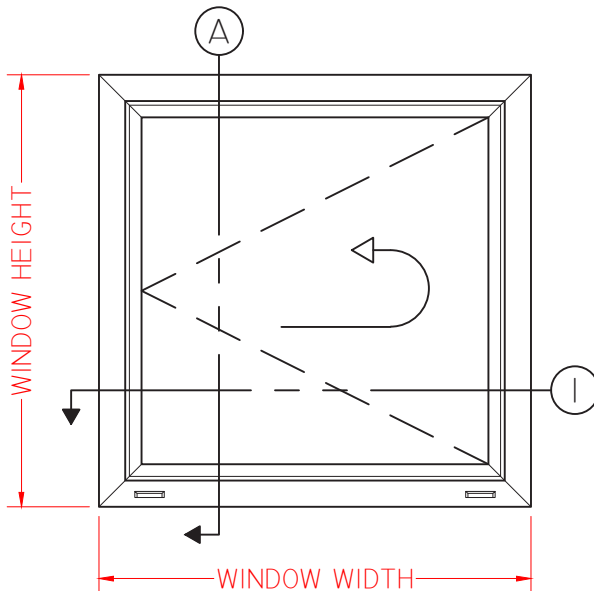
WITH BLINDS/STORM PANEL AND PUSH-OUT HARDWARE

This document contains confidential and proprietary information intended for the private use of Quaker.
© 2016 Quaker Window Products Co., INC. All rights reserved.
Quaker reserves the right to change any/all designs without notice. Due to periodic re-certification requirements, result shown may vary.

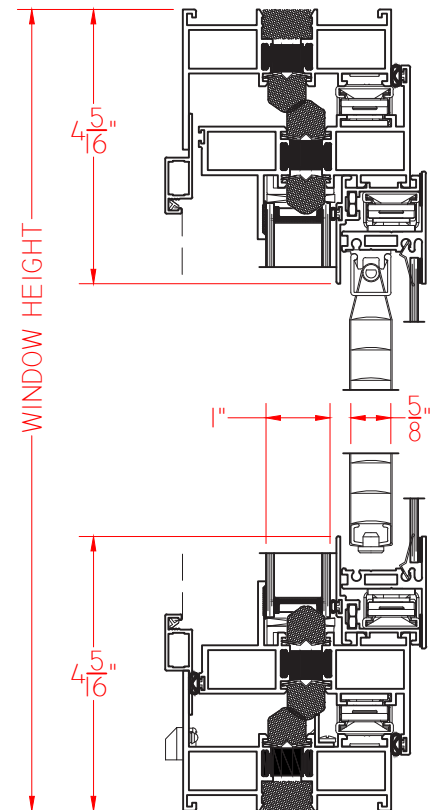


Ⓛ HORIZONTAL
CROSS SECTION

Ⓐ VERTICAL
CROSS SECTION



ELEVATION SCALE 3/4" = 1'-0"



SCALE 1:3

Our products are tested to the standards of and certified by some of the foremost organizations in the fenestration industry.

