

BRIGHTON SERIES PROJECT-OUT

FEATURES

- ◇ Commercial Framing System
 - 6" main frame
- ◇ Enhanced Design
 - Extruded clad exterior, pine interior
- ◇ Glazing
 - ¾" insulating glass with warm-edge spacer
- ◇ Hardware
 - Single point locking system with fold-down handle to avoid interference with window blinds (Crank-out only)
 - Low profile cam handle (Push-out only)
- ◇ Screen
 - Extruded aluminum screen frame with BetterVue™ mesh with WaterShed® technology (Crank-out only)
 - Wicket scret (Push-out only)

BENEFITS

- ◇ The capacity to match exterior colors for unique project facades
- ◇ The ability to facilitate large sizes for taller and wider window openings

OPTIONS

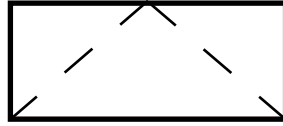
- ◇ Available Configurations
 - Project-out
 - Push-out or Crank-out
- ◇ Muntin Choices
 - Internal or simulated divided lites available
- ◇ Limited travel hardware
- ◇ Nailing Fin
- ◇ Screen
 - Extruded aluminum screen frame with aluminum wire mesh
 - Extruded aluminum screen frame with sunscreen mesh
 - Extruded aluminum screen frame with stainless steel 0.009" thickness mesh
 - Multiple retractable screen systems
- ◇ Glazing
 - Multiple Low-E and argon glazing choices
 - Capillary tubes
 - Argon gas
 - Wide variety of glazing, tinting and thickness options
- ◇ Panning & Trim Choices
 - Wide variety of panning, receptor and trim available
- ◇ Mulling
 - Wide variety of structural mulls

PERFORMANCE

- ◇ Structural & Thermal (test reports or thermal simulations available upon request)

Model	Project-Out
NAFS Rating	R-50
Structural Load P.S.F.	75.19
Air at 50 MPH (cfm/ft ²)	<.30
Water (No Penetration) P.S.F.	7.52
U-Value (ranges based on multiple Low-E/Argon combinations)	0.28-0.36
SHGC (ranges based on multiple Low-E/Argon combinations)	0.12-0.43

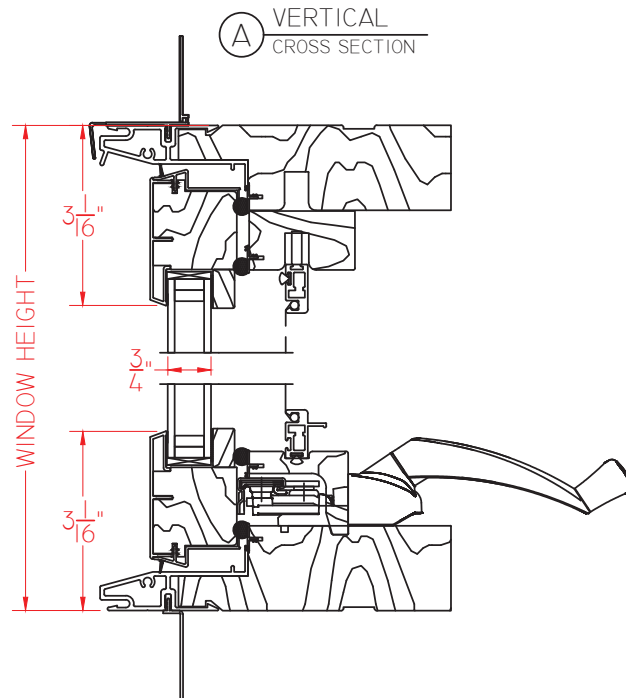
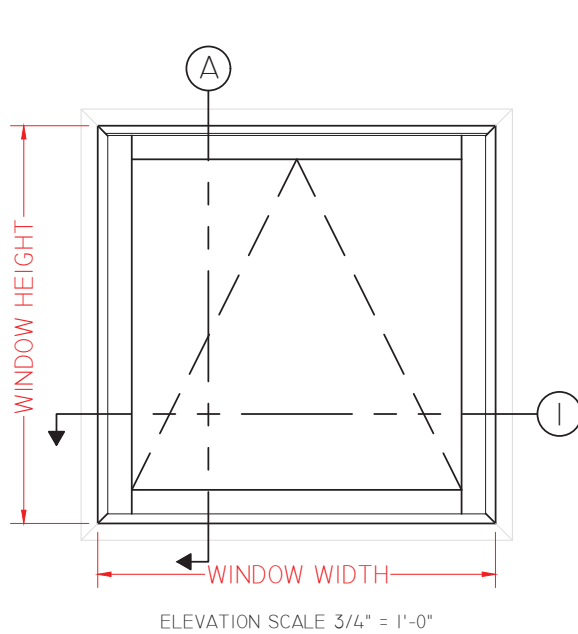
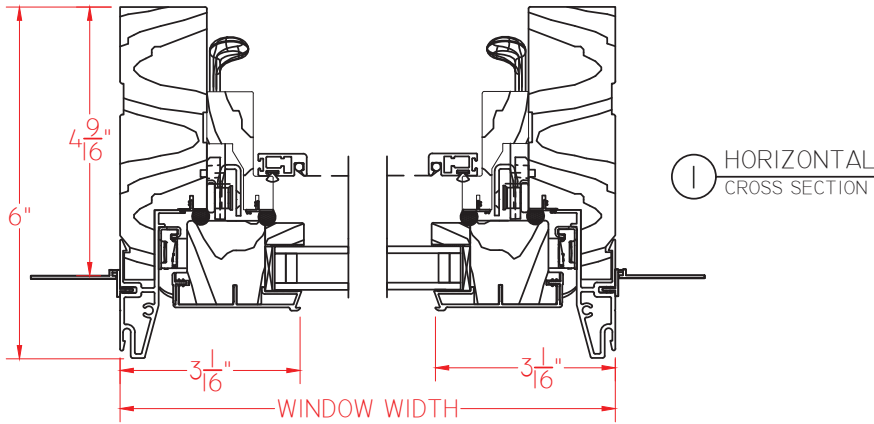
Window test size: 48" × 24"
Operating Force: 1.5 lbf (maintain motion)



BRIGHTON SERIES PROJECT-OUT

**WITH ROTO
HARDWARE**

This document contains confidential and proprietary information intended for the private use of Quaker.
© 2016 Quaker Window Products Co., INC. All rights reserved.
Quaker reserves the right to change any/all designs without notice. Due to periodic re-certification
requirements, result shown may vary.



SCALE 1:3

Our products are tested to the standards of and certified by some of the foremost organizations in the fenestration industry.

