

**V300 Series
3 1/4" Frame Depth
Fixed Picture Window
to match V300 Single Hung
and V300 Horizontal Slider**

V300 SERIES PICTURE WINDOW (FIXED) to match V300 Single Hung and V300 Horizontal Slider

FEATURES

- ◇ **Commercial Framing System**
 - 3 1/4" main frame
- ◇ **Enhanced Design**
 - Mitered and welded corners
 - 2 3/16" sightlines
- ◇ **Glazing**
 - 1" insulated glass
- ◇ **Integral Nailing Fin**
- ◇ **Colors**
 - White or Sandstone vinyl (interior/exterior)

BENEFITS

- ◇ Perfect alternative product for commercial projects 8-stories and less. (up to 11 stories using receptor and subsill system)

OPTIONS

- ◇ **Available Configurations**
 - Fixed
- ◇ **Muntin Choices**
 - Internal or simulated divided lites available
- ◇ **Glazing**
 - Multiple Low-E and argon glazing choices
 - Triple glazing (Energy TG)
 - Capillary tubes
 - Wide variety of glazing, tinting and thickness options
- ◇ **Panning & Trim Choices**
 - Wide variety of panning, receptor and trim available
- ◇ **Mulling**
 - Wide variety of structural mulls
- ◇ **Colors**
 - High-performance Textured Black laminate (interior/exterior)
 - High-performance Textured Black laminate (exterior only with White vinyl or Textured Black laminate interior)
 - High-performance Textured Dark Bronze laminate (exterior only with White vinyl interior)
 - High-performance Resembles Clear Anodized laminate (exterior only with White vinyl interior)
 - Twelve painted exterior colors (with White or Sandstone vinyl interior)
 - Unlimited custom painted exterior colors

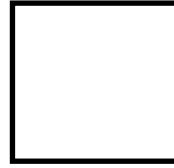
PERFORMANCE

- ◇ Structural & Thermal (test reports or thermal simulations available upon request)

Model	Picture Window (Fixed)
NAFS Rating	CW50
Design Pressure	50
Air Infiltration	<0.30
Water (No Penetration) P.S.F.	Up to 7.52
U-Value (based on multiple Low-E/Argon combinations)	As low as 0.23
SHGC (based on multiple Low-E/Argon combinations)	As low as 0.23

Our products are tested to the standards of and certified by some of the foremost organizations in the fenestration industry.

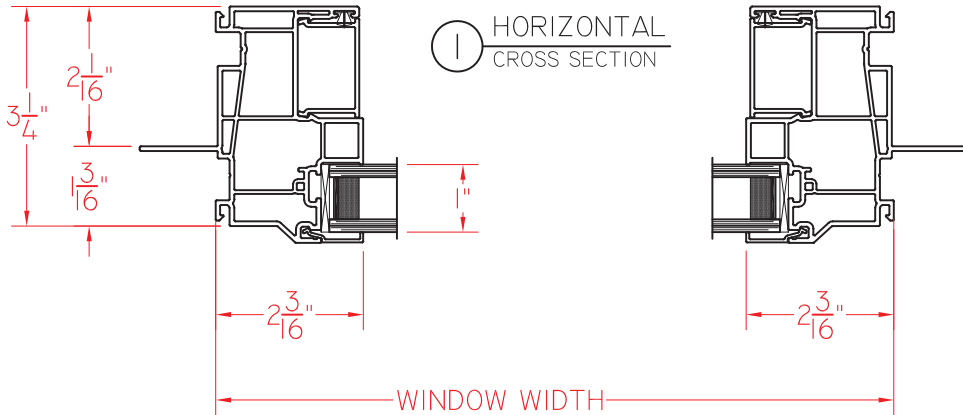




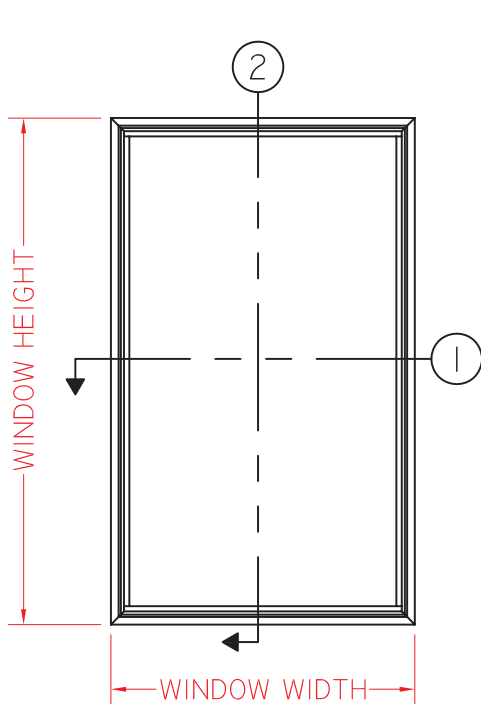
V300 Series
3 1/4" Frame Depth
Fixed Picture Window
 (to match V300 Single Hung
 and V300 Horizontal Slider)

V300 SERIES PICTURE WINDOW (FIXED) to match V300 Single Hung
 and V300 Horizontal Slider

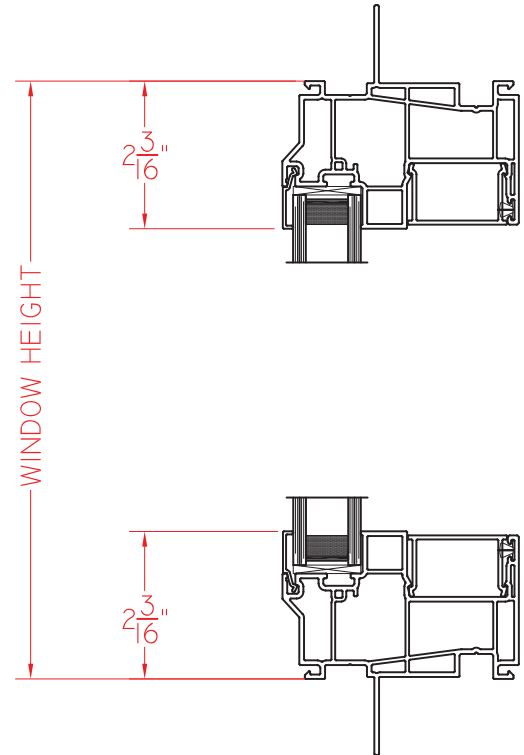
This document contains confidential and proprietary information intended for the private use of Quaker.
 © 2016 Quaker Window Products Co., INC. All rights reserved.
 Quaker reserves the right to change any/all designs without notice. Due to periodic re-certification requirements, result shown may vary.



② VERTICAL CROSS SECTION



ELEVATION SCALE 1/2" = 1'-0"



SCALE 1:3

Our products are tested to the standards of and certified by some of the foremost organizations in the fenestration industry.

