

## V200 Series 3 1/4" Frame Depth Horizontal Slider

# V200 SERIES HORIZONTAL SLIDER

### FEATURES

- ◇ **Commercial Framing System**
  - 3 1/4" main frame
  - 0.060" wall thickness of frame, 0.055" wall thickness of sash
- ◇ **Enhanced Design**
  - Mitered and welded corners
- ◇ **Glazing**
  - 3/4" insulated glass
  - SSB Glass
- ◇ **Hardware**
  - Brass rollers with stainless steel axle pins for easy operation
- ◇ **Screen**
  - Extruded aluminum screen frame with BetterVue™ mesh with WaterShed® technology
- ◇ **Colors**
  - White or Sandstone vinyl (interior/exterior)

### BENEFITS

- ◇ The capacity to match exterior colors for unique project facades
- ◇ The ability to facilitate large sizes for taller and wider window openings

### PERFORMANCE

- ◇ Structural & Thermal (test reports or thermal simulations available upon request)

Model	Slider
AAMA/WDMA/CSA 101/IS.2/A440-08 Rating	R-40
Structural Load P.S.F.	60.15
Air Infiltration (cfm/ft <sup>2</sup> )	<0.30
Water (No Penetration) P.S.F.	6.06
U-Value (ranges based on multiple Low-E/Argon combinations)	0.24-0.30
SHGC (ranges based on multiple Low-E/Argon combinations)	0.14-0.50

Window test size: 63" x 44"

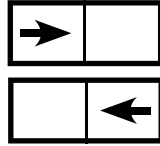
Operating Force: 24 lbf (Initiate motion), 7 lbf (Maintain motion), 1 lbf (Locks)

### OPTIONS

- ◇ **Available Configurations**
  - Fixed-Active
  - Active-Fixed
  - Active-Fixed-Active
  - Fixed-Active-Fixed
- ◇ **Muntin Choices**
  - Internal or simulated divided lites available
- ◇ **Limited Travel Hardware**
- ◇ **Nailing Fin**
- ◇ **Screen**
  - Extruded aluminum screen frame with aluminum wire mesh
  - Extruded aluminum screen frame with sunscreen mesh
  - Extruded aluminum screen frame with stainless steel 0.009" thickness mesh
- ◇ **Glazing**
  - Capillary tubes
  - Wide variety of glazing, tinting and thickness options
- ◇ **Panning & Trim Choices**
  - Wide variety of panning, receptor and trim available
- ◇ **Mulling**
  - Wide variety of structural Mulls
- ◇ **Colors**
  - High-performance Textured Black laminate (interior/exterior)
  - High-performance Textured Black laminate (exterior only with White vinyl or Textured Black laminate interior)
  - High-performance Textured Dark Bronze laminate (exterior only with White vinyl interior)
  - Twelve painted exterior colors (with White or Sandstone vinyl interior)
  - Unlimited custom painted exterior colors

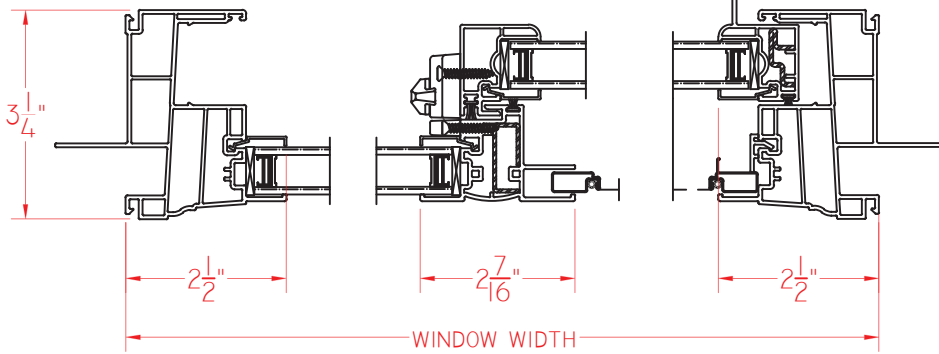
Our products are tested to the standards of and certified by some of the foremost organizations in the fenestration industry.



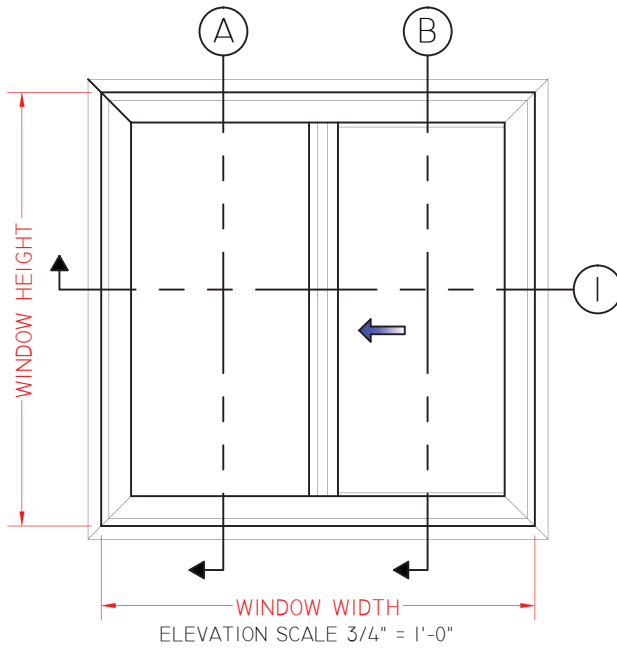


# V200 SLIDER

This document contains confidential and proprietary information intended for the private use of Quaker.  
© 2016 Quaker Window Products Co., INC. All rights reserved.  
Quaker reserves the right to change any/all designs without notice. Due to periodic re-certification requirements, result shown may vary.

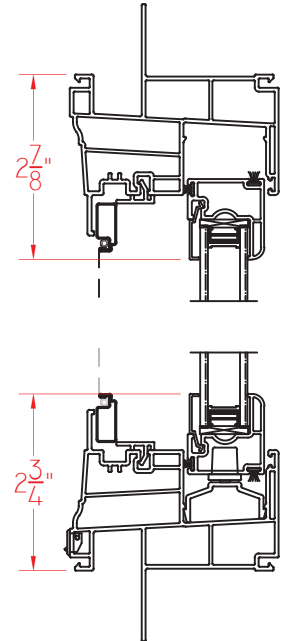
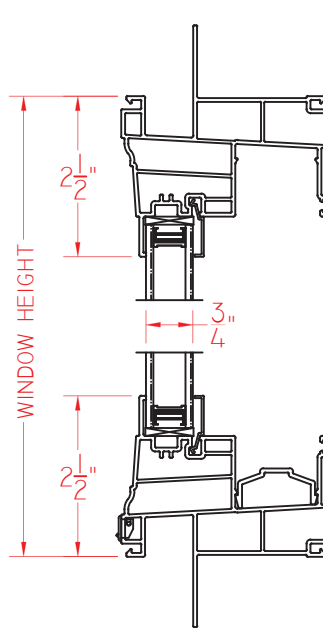


① HORIZONTAL CROSS SECTION



① A VERTICAL CROSS SECTION

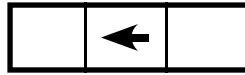
① B VERTICAL CROSS SECTION



SCALE 1:3

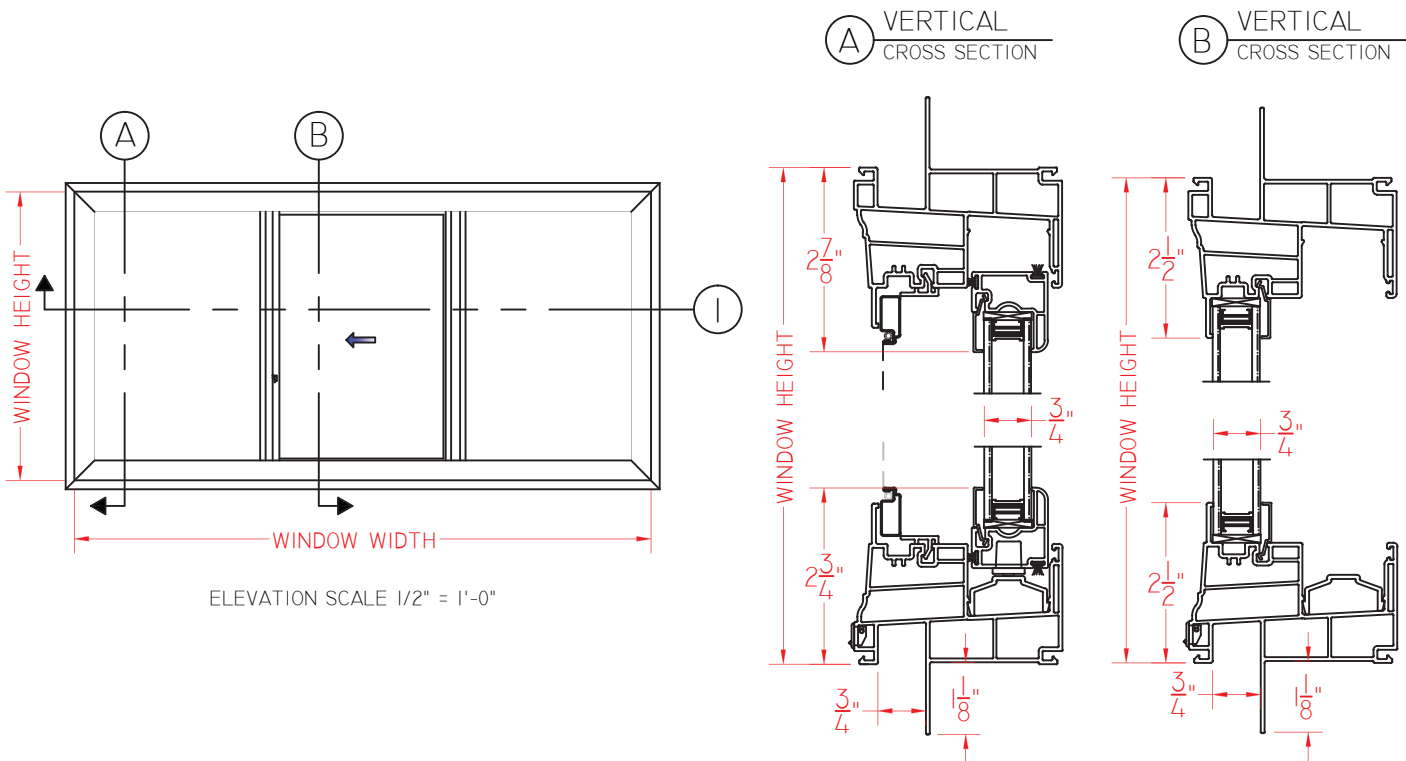
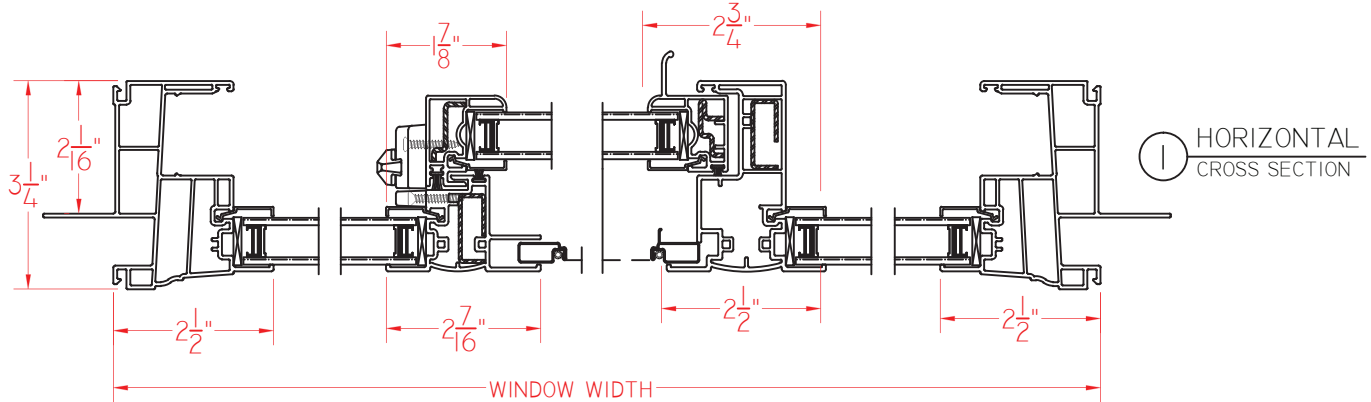
Our products are tested to the standards of and certified by some of the foremost organizations in the fenestration industry.





# V200 CENTER VENT SLIDER

This document contains confidential and proprietary information intended for the private use of Quaker.  
© 2016 Quaker Window Products Co., INC. All rights reserved.  
Quaker reserves the right to change any/all designs without notice. Due to periodic re-certification requirements, result shown may vary.

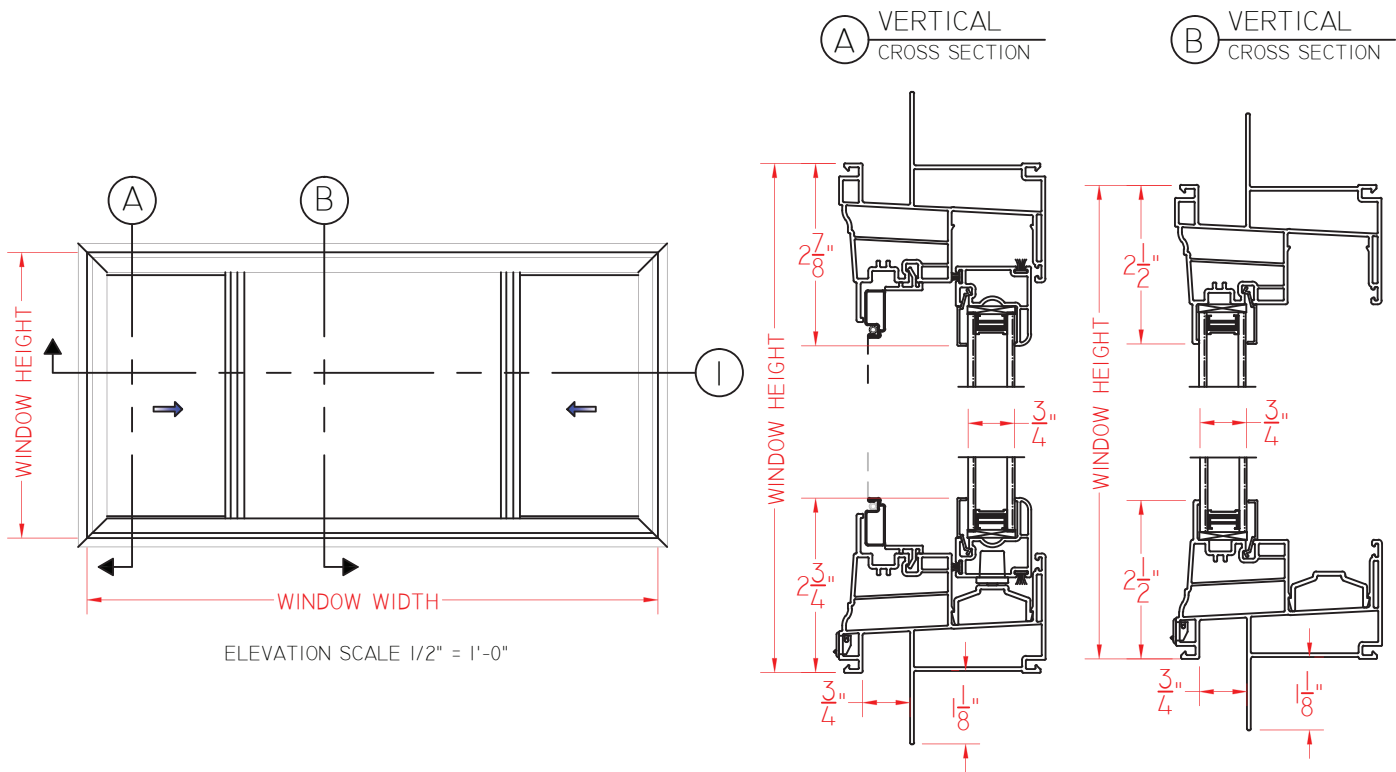
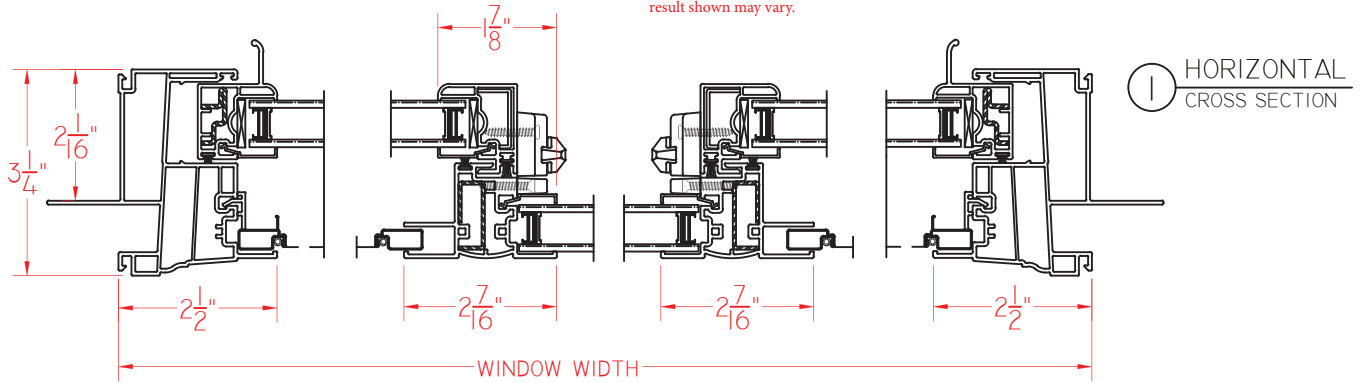


SCALE 1:3



# V200 END VENT SLIDER

This document contains confidential and proprietary information intended for the private use of Quaker.  
© 2016 Quaker Window Products Co., INC. All rights reserved.  
Quaker reserves the right to change any/all designs without notice. Due to periodic re-certification requirements, result shown may vary.



SCALE 1:3