



H470 SERIES PICTURE WINDOW (FIXED)

The Quaker H470 Series Fixed window is specially glazed and specifically designed to meet ASTM 1886: ASTM E 1996 for large missile Impact resistance.

FEATURES

- ◇ Commercial Framing System
 - 3 1/4" main frame
 - Historically-correct bevel frame exterior
 - Minimum of 0.080" wall thickness, 0.70 on TDL
 - Available with or without integral nailing fin
- ◇ Thermally Enhanced Design
 - Thermally-broken main frame extrusions
 - Azon pour and debridge thermal break technology
- ◇ Glazing
 - 1" insulating glass

OPTIONS

- ◇ Available Configurations
 - Fixed
 - Continuous frame capabilities
- ◇ Muntin Choices
 - Internal or simulated divided lites available
- ◇ Glazing
 - Multiple Low-E and argon glazing choices
 - Glazing pocket can accept 1 3/8" insulating glass for sound attenuation purposes
 - Capillary tubes
 - Wide variety of glazing, tinting and thickness options
- ◇ Panning & Trim Choices
 - Wide variety of panning, receptor and trim available
- ◇ Mulling
 - Wide variety of structural mulls

BENEFITS

- ◇ Historically accurate profiles to help your project meet Historic Preservation codes
- ◇ The capacity to match exterior colors for unique project facades
- ◇ The ability to facilitate large sizes for taller and wider window openings

PERFORMANCE

- ◇ Structural & Thermal (test reports or thermal simulations available upon request)

Model	Picture Window (Fixed)
Test Size:	60" x 99"
NAFS Rating	AW-PG110-F
Structural Load P.S.F.	165.4
Air at 50 MPH (cfm/ft ²)	<0.10
Water (No Penetration) P.S.F.	15.04
U-Value (ranges based on multiple Low-E/Argon combinations)	0.25-0.31
SHGC (ranges based on multiple Low-E/Argon combinations)	0.16-0.54
Condensation Resistance (ranges based on multiple Low-E/Argon combinations)	49-61
Missile Level	Level D
Wind Zone	Zone 3

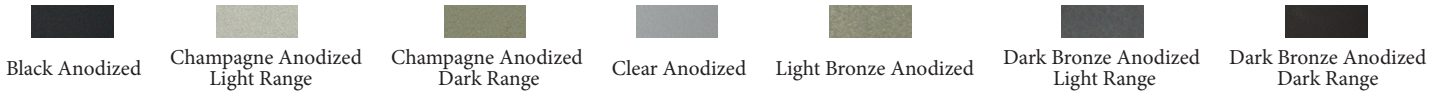
ARCHITECTURAL PAINT COATINGS AND FINISHES

◇ Baked on powder coat finish meets AAMA 2604 (an FGIA specification) and is available in unlimited colors

- Quaker Impressive Palette of Colors



- 7 Resemble Colors (painted finish resembling anodized)



- Unlimited Custom Colors

◇ AAMA 2605 (an FGIA specification) powder coat finishes (not available for all colors shown)

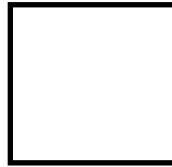
◇ SolarLE Paint Finish (available with Textured Black and Dark Espresso colors only)

◇ AAMA 611-98 Class I clear and tinted anodized finishes

* Printed colors shown here may not accurately depict actual painted colors. Color samples are available upon request.

Our products are tested to the standards of and certified by some of the foremost organizations in the fenestration industry.

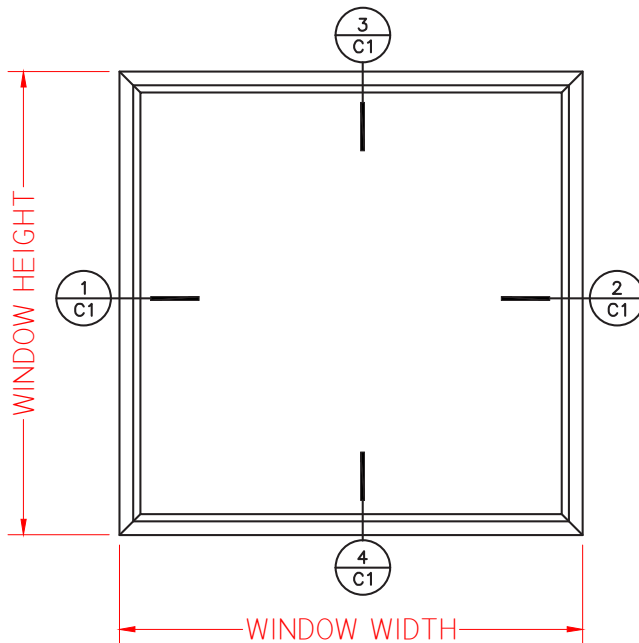
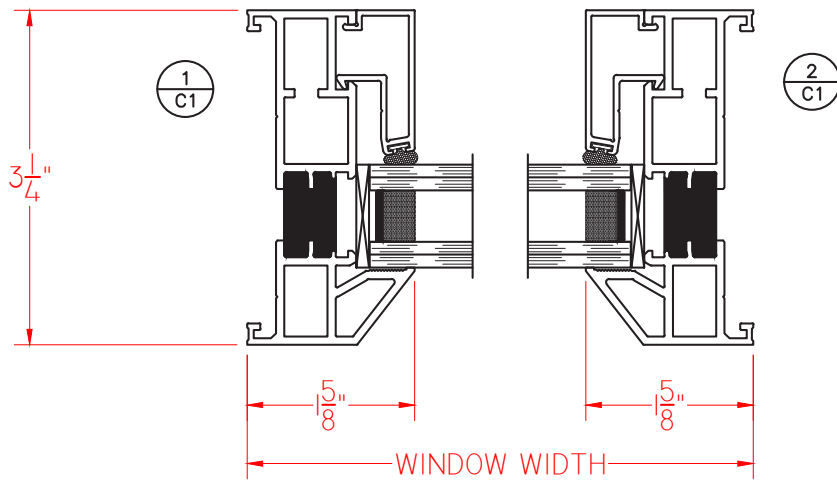




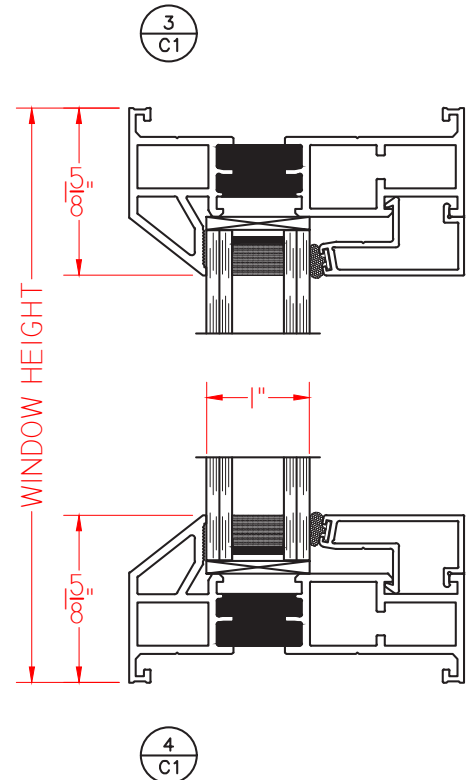
H470 Series 3 1/4" Frame Depth Picture Window (Fixed)

H470 PICTURE WINDOW

This document contains confidential and proprietary information intended for the private use of Quaker.
© 2021 Quaker Window Products Co., INC. All rights reserved.
Quaker reserves the right to change any/all designs without notice. Due to periodic re-certification requirements, result shown may vary.



ELEVATION SCALE 3/4" = 1'-0"



SCALE 1:2

Our products are tested to the standards of and certified by some of the foremost organizations in the fenestration industry.

