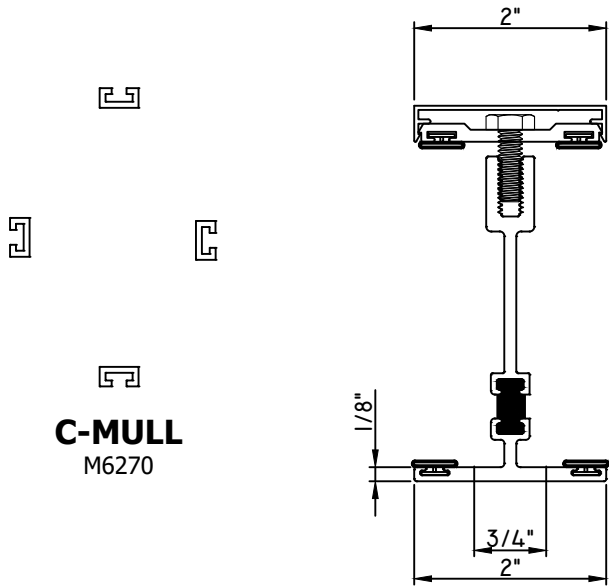
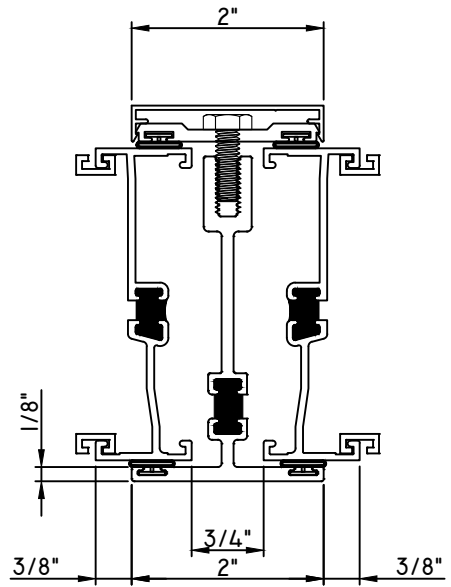




3 1/4" VERTICAL MULLIONS



C-MULL
M6270



T-MULL/1" STACK MULL LEFT/RIGHT

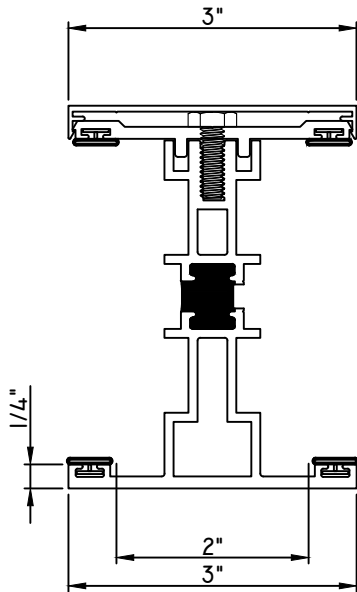
- T-MULL**
 M16875 - T-MULL
 MAX17386 - BASE
 MAX14141 - CAP
 BPN-9159 - W.S. (QTY. 4)
 MH1/4 20X3/4 - BOLTS (18" APROX. O.C.)
 M13404 - L-ANGLE (QTY. 2)
 MPS-8X1 1/2 - FASTENERS (QTY. 4)

- M16875 - T-MULL
 MAX17386 - BASE
 MAX14141 - CAP
 M21087 - 1" STACK MULL LEFT/RIGHT

**MUST BE USED WITH STANDARD
3 1/4" RECEPTOR & SUBSILLS**



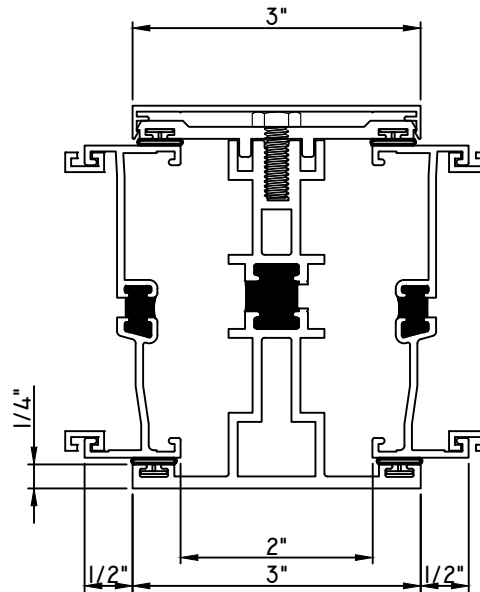
3 1/4" VERTICAL MULLIONS



HEAVY WALL T-MULL

- M21045 - T-MULL
- M21043 - BASE
- M21044 - CAP
- BPN-9159 - W.S. (QTY. 4)
- MH1/4 20X3/4 - BOLTS (18" APROX. O.C.)
- M13404 - L-ANGLE (QTY. 2)
- MPS-8X1 1/2 - FASTENERS (QTY. 4)

**MUST BE USED WITH HEAVY WALL
3 1/4" RECEPTOR & SUBSILLS**

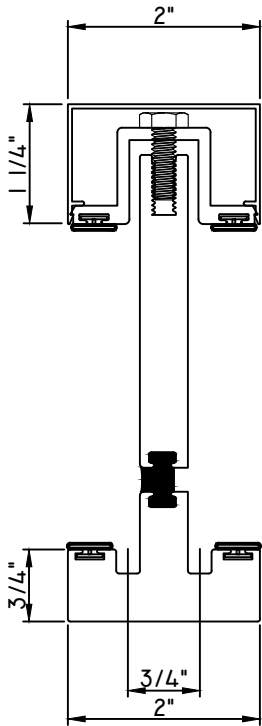


HEAVY WALL T-MULL/1" STACK MULL LEFT/RIGHT

- M21045 - T-MULL
- M21043 - BASE
- M21044 - CAP
- M21087 - 1" STACK MULL LEFT/RIGHT



3 1/4" VERTICAL MULLIONS

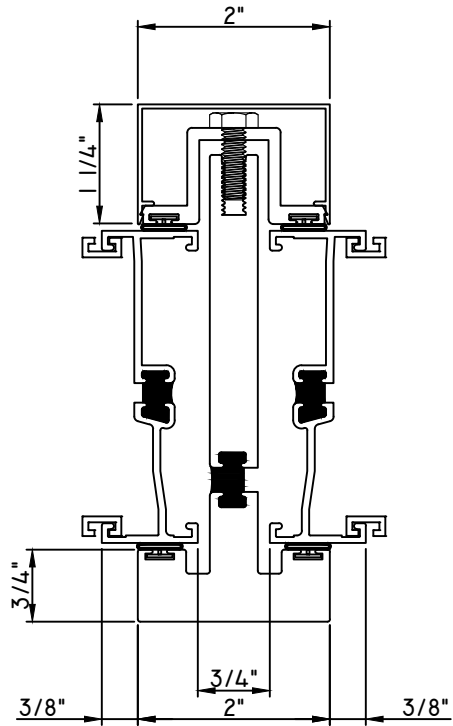


BULLNOSE T-MULL W/ 1 1/4" INTERIOR CAP

M21086 - T-MULL
M14895 - BASE
M14896 - CAP

BPN-9159 - W.S. (QTY. 4)
MH1/4 20X3/4 - BOLTS (18" APPROX. O.C.)
M13404 - L-ANGLE (QTY. 2)
MPS-8X1 1/2 - FASTENERS (QTY. 4)

**CAN'T BE USED WITH RECEPTOR &
SUBSILL INSTALLATION**



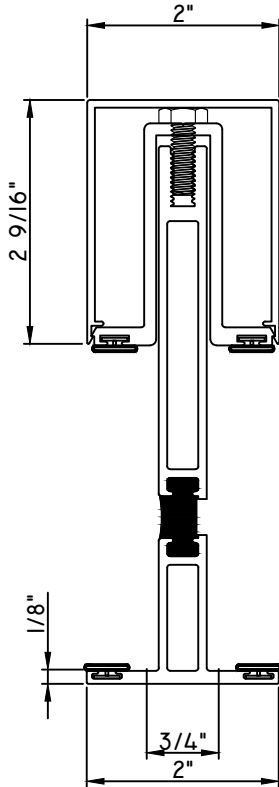
BULLNOSE T-MULL W/ 1 1/4" INTERIOR CAP / 1" STACK MULL LEFT/RIGHT

M21086 - T-MULL
M14895 - BASE
M14896 - CAP

M21087 - 1" STACK MULL LEFT/RIGHT
**CAN'T BE USED WITH RECEPTOR &
SUBSILL INSTALLATION**



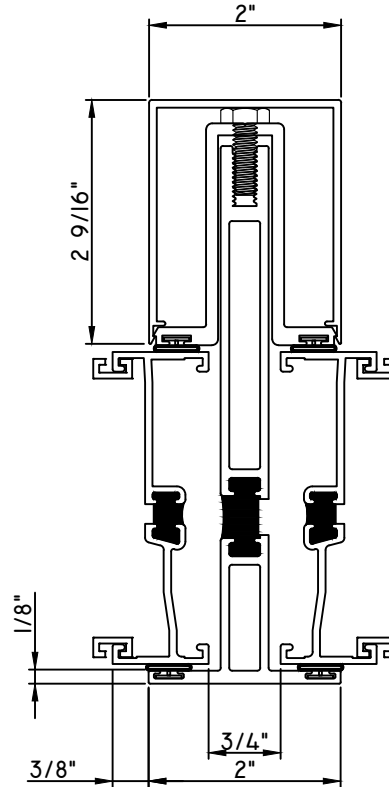
3 1/4" VERTICAL MULLIONS



T-MULL W/ 2 9/16" INTERIOR CAP

- M21856 - T-MULL
- M21855 - BASE
- M21854 - CAP
- BPN-9159 - W.S. (QTY. 4)
- MH1/4 20X3/4 - BOLTS (18" APROX. O.C.)
- M13404 - L-ANGLE (QTY. 2)
- MPS-8X1 1/2 - FASTENERS (QTY. 4)

**MUST BE USED WITH STANDARD
3 1/4" RECEPTOR & SUBSILLS**

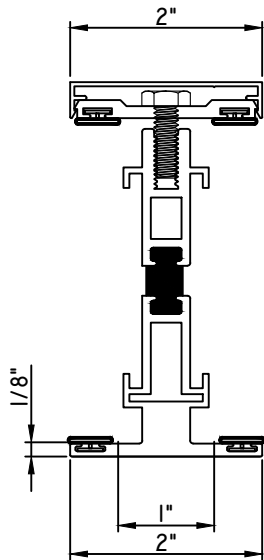


T-MULL W/ 2 9/16" INTERIOR CAP/ 1" STACK MULL LEFT

- M21856 - T-MULL
 - M21855 - BASE
 - M21854 - CAP
 - M21087 - 1" STACK MULL LEFT
- MUST BE USED WITH STANDARD
3 1/4" RECEPTOR & SUBSILLS**

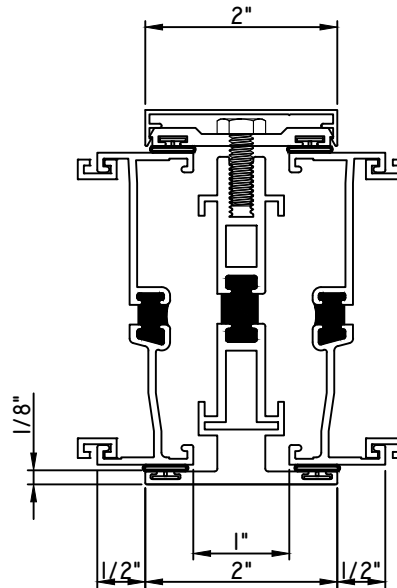


3 1/4" VERTICAL MULLIONS



T-MULL

- M22126 - T-MULL
- MAX17386 - BASE
- MAX14141 - CAP
- BPN-9159 - W.S. (QTY. 4)
- MH1/4 20X3/4 - BOLTS (18" APROX. O.C.)
- PARTS FOR NON NAIL FIN INSTALL:
- M13404 - L-ANGLE (QTY. 2)
- MPS-8X1 1/2 - FASTENERS (QTY. 4)
- PARTS FOR NAIL FIN INSTALL:
- M22127 - Z-CLIP (QTY. 2)
- M23616 - H450 Z-CLIP (QTY. 2)



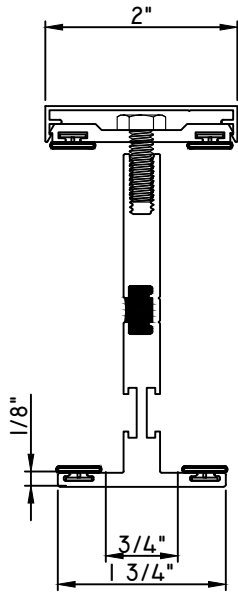
T-MULL/1" STACK MULL LEFT/RIGHT

- M22126 - T-MULL
- MAX17386 - BASE
- MAX14141 - CAP
- M21087 - 1" STACK MULL LEFT/RIGHT

**MUST BE USED WITH STANDARD
3 1/4" RECEPTOR & SUBSILLS**

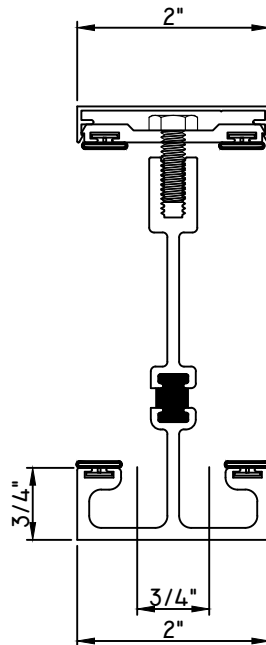


3 1/4" VERTICAL MULLIONS



T-MULL

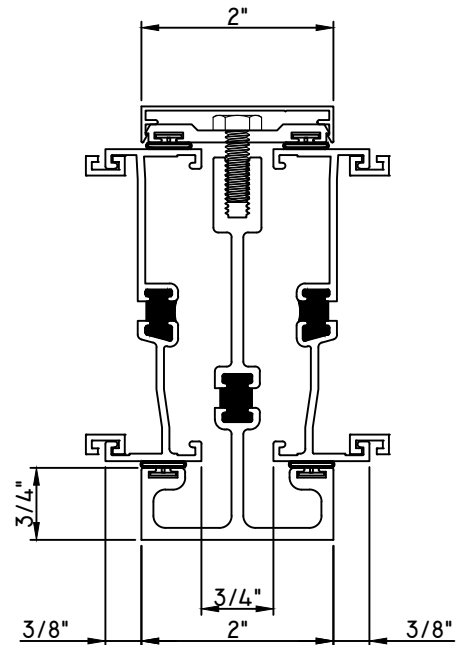
- M24628 - T-MULL
- MAX17386 - BASE
- MAX14141 - CAP
- BPN-9159 - W.S. (QTY. 4)
- MH1/4 20X3/4 - BOLTS (18" APROX. O.C.)
- PARTS FOR NON NAIL FIN INSTALL:
- M13404 - L-ANGLE (QTY. 2)
- MPS-8X1 1/2 - FASTENERS (QTY. 4)
- PARTS FOR NAIL FIN INSTALL:
- M22127 - Z-CLIP (QTY. 2)
- M23616 - H450 Z-CLIP (QTY. 2)



T-MULL

- M536203 - T-MULL
- M17386 - BASE
- MAX14141 - CAP
- BPN-9159 - W.S. (QTY. 4)
- MH1/4 20X3/4 - BOLTS (18" APROX. O.C.)
- M13404 - L-ANGLE (QTY. 2)
- MPS-8X1 1/2 - FASTENERS (QTY. 4)

**MUST BE USED WITH STANDARD
2 3/8" RECEPTOR & SUBSILL**

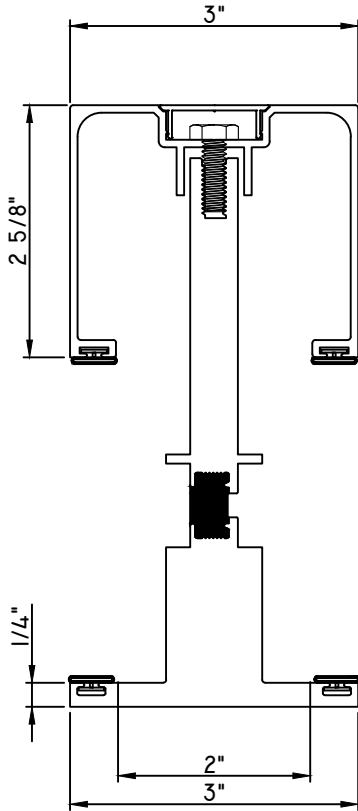


T-MULL/1" STACK MULL LEFT/RIGHT

- M536203 - T-MULL
- M17386 - BASE
- MAX14141 - CAP
- M21087 - 1" STACK MULL LEFT/RIGHT
- MUST BE USED WITH STANDARD
2 3/8" RECEPTOR & SUBSILL**

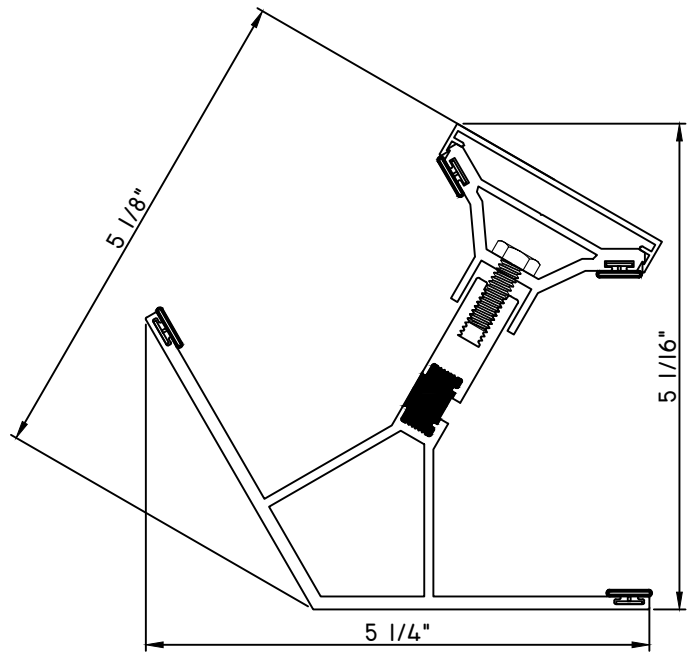


3 1/4" VERTICAL MULLIONS



T-MULL

- M23980 - T-MULL
- M23981 - BASE
- M536207 - CAP
- BPN-9159 - W.S. (QTY. 4)
- MH1/4 20X3/4 - BOLTS (18" APROX. O.C.)
- M13404 - L-ANGLE (QTY. 2)
- MPS-8X1 1/2 - FASTENERS (QTY. 4)

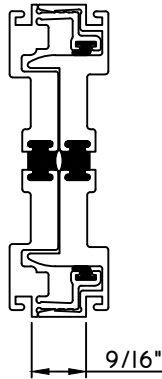


120° T-MULL

- 23916 - T-MULL
- 23917 - BASE
- 23918 - CAP
- BPN-9159 - W.S. (QTY. 4)
- MH1/4 20X3/4 - BOLTS (18" APROX. O.C.)
- MPS-8X1 1/2 - FASTENERS (QTY. 4)



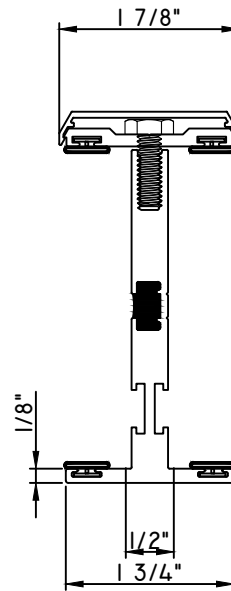
3 1/4" VERTICAL MULLIONS



9/16" HEAVY WALL MALE/FEMALE MULL

- M22026 - MALE MULL
- M22025 - FEMALE MULL
- U4512-00000 - MALE MULL W.S. (QTY. 2)

**MUST BE USED WITH RECEPTOR &
SUBSILL INSTALLATION**



T-MULL

- M24628 - T-MULL
- M23056 - BASE
- M23058 - CAP
- BPN-9159 - W.S. (QTY. 4)
- MH1/4 20X3/4 - BOLTS (18" APROX. O.C.)
- PARTS FOR NON NAIL FIN INSTALL:
- M13404 - L-ANGLE (QTY. 2)
- MPS-8X1 1/2 - FASTENERS (QTY. 4)
- PARTS FOR NAIL FIN INSTALL:
- M22127 - Z-CLIP (QTY. 2)
- M23616 - H450 Z-CLIP (QTY. 2)

**MUST BE USED WITH STANDARD
3 1/4" RECEPTOR & SUBSILLS**