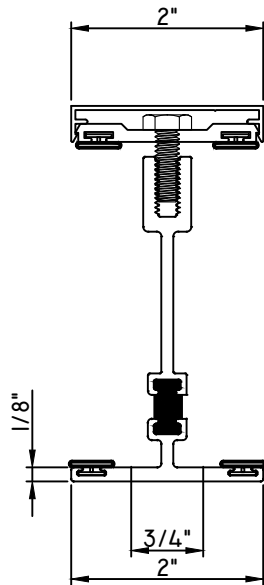
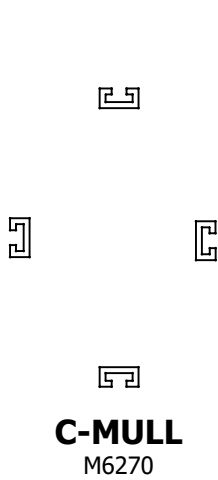




**QUAKER**  
COMMERCIAL

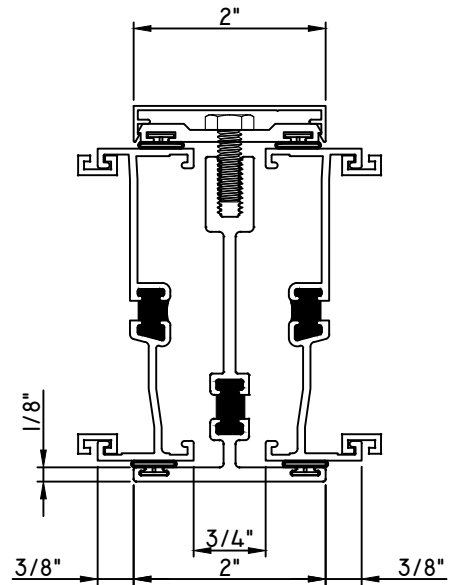
# 3 1/4" VERTICAL MULLIONS



## T-MULL

- M16875 - T-MULL
- MAX17386 - BASE
- MAX14141 - CAP
- BPN-9159 - W.S. (QTY. 4)
- MH1/4 20X3/4 - BOLTS (18" APROX. O.C.)
- M13404 - L-ANGLE (QTY. 2)
- MPS-8X1 1/2 - FASTENERS (QTY. 4)

**MUST BE USED WITH STANDARD  
3 1/4" RECEPTOR & SUBSILLS**

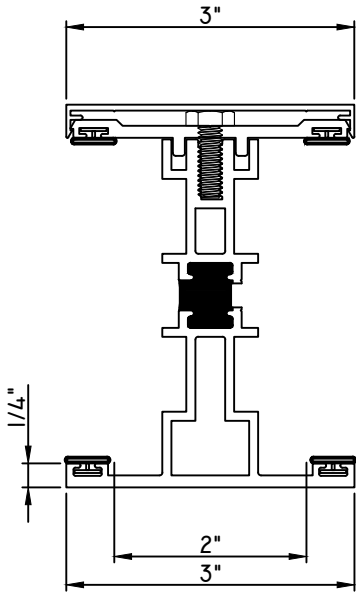


## T-MULL/1" STACK MULL LEFT/RIGHT

- M16875 - T-MULL
- MAX17386 - BASE
- MAX14141 - CAP
- M21087 - 1" STACK MULL LEFT/RIGHT



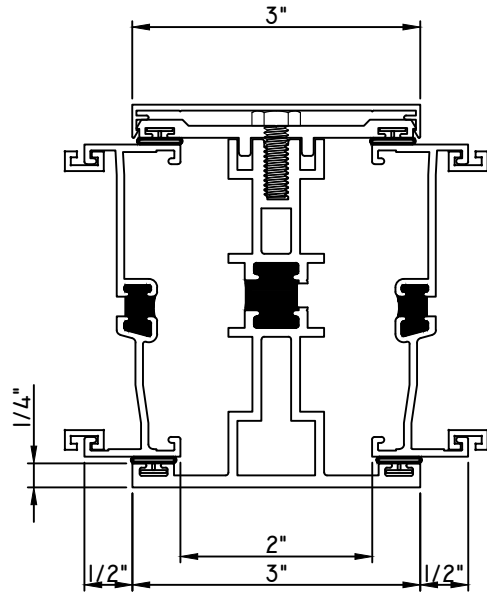
# 3 1/4" VERTICAL MULLIONS



## HEAVY WALL T-MULL

- M21045 - T-MULL
- M21043 - BASE
- M21044 - CAP
- BPN-9159 - W.S. (QTY. 4)
- MH1/4 20X3/4 - BOLTS (18" APROX. O.C.)
- M13404 - L-ANGLE (QTY. 2)
- MPS-8X1 1/2 - FASTENERS (QTY. 4)

**MUST BE USED WITH HEAVY WALL  
3 1/4" RECEPTOR & SUBSILLS**

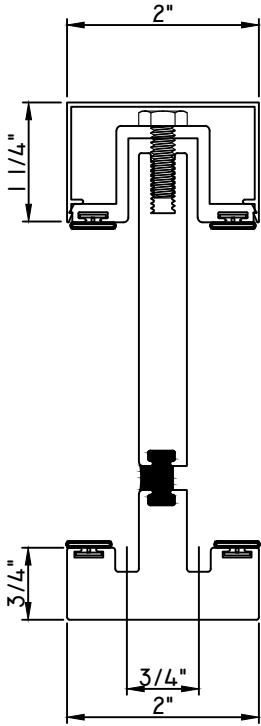


## HEAVY WALL T-MULL/1" STACK MULL LEFT/RIGHT

- M21045 - T-MULL
- M21043 - BASE
- M21044 - CAP
- M21087 - 1" STACK MULL LEFT/RIGHT



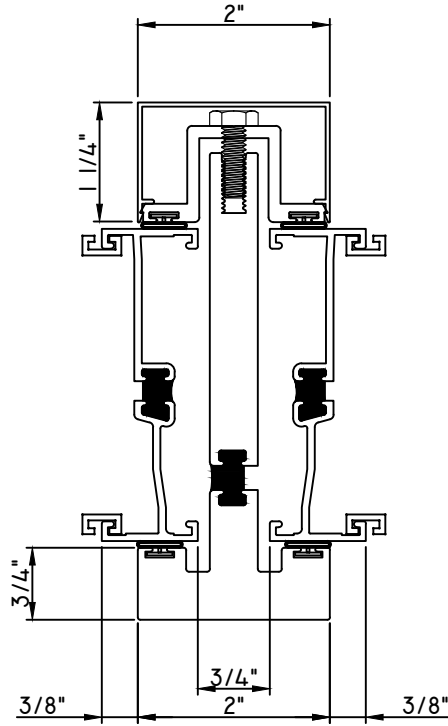
# 3 1/4" VERTICAL MULLIONS



## BULLNOSE T-MULL W/ 1 1/4" INTERIOR CAP

- M21086 - T-MULL
- M14895 - BASE
- M14896 - CAP
- BPN-9159 - W.S. (QTY. 4)
- MH1/4 20X3/4 - BOLTS (18" APPROX. O.C.)
- M13404 - L-ANGLE (QTY. 2)
- MPS-8X1 1/2 - FASTENERS (QTY. 4)

**CAN'T BE USED WITH RECEPTOR & SUBSILL INSTALLATION**



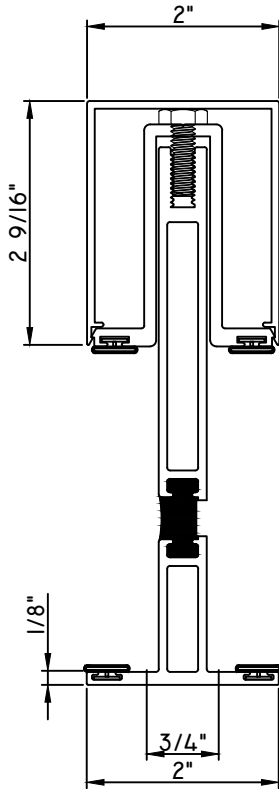
## BULLNOSE T-MULL W/ 1 1/4" INTERIOR CAP / 1" STACK MULL LEFT/RIGHT

- M21086 - T-MULL
  - M14895 - BASE
  - M14896 - CAP
  - M21087 - 1" STACK MULL LEFT/RIGHT
- CAN'T BE USED WITH RECEPTOR & SUBSILL INSTALLATION**



**QUAKER**  
COMMERCIAL

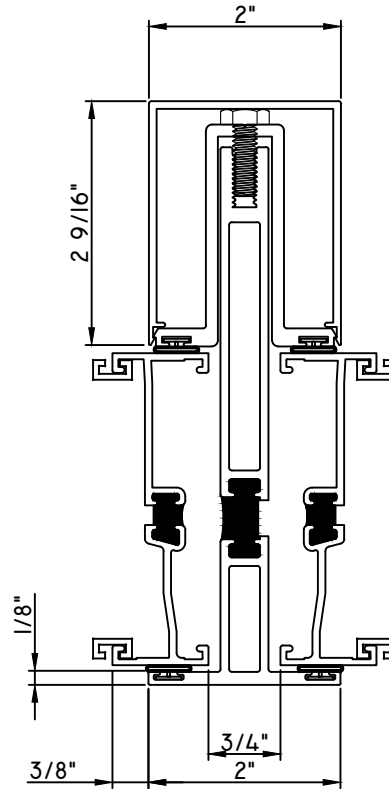
# 3 1/4" VERTICAL MULLIONS



## T-MULL W/ 2 9/16" INTERIOR CAP

- M21856 - T-MULL
- M21855 - BASE
- M21854 - CAP
- BPN-9159 - W.S. (QTY. 4)
- MH1/4 20X3/4 - BOLTS (18" APROX. O.C.)
- M13404 - L-ANGLE (QTY. 2)
- MPS-8X1 1/2 - FASTENERS (QTY. 4)

**MUST BE USED WITH STANDARD  
3 1/4" RECEPTOR & SUBSILLS**



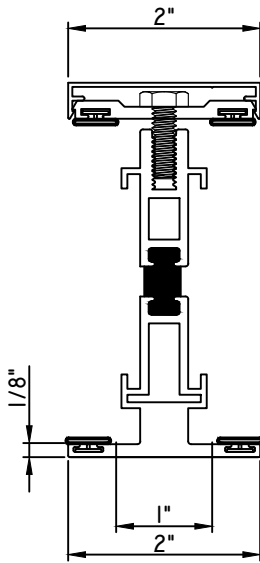
## T-MULL W/ 2 9/16" INTERIOR CAP/ 1" STACK MULL LEFT

- M21856 - T-MULL
  - M21855 - BASE
  - M21854 - CAP
  - M21087 - 1" STACK MULL LEFT
- MUST BE USED WITH STANDARD  
3 1/4" RECEPTOR & SUBSILLS**



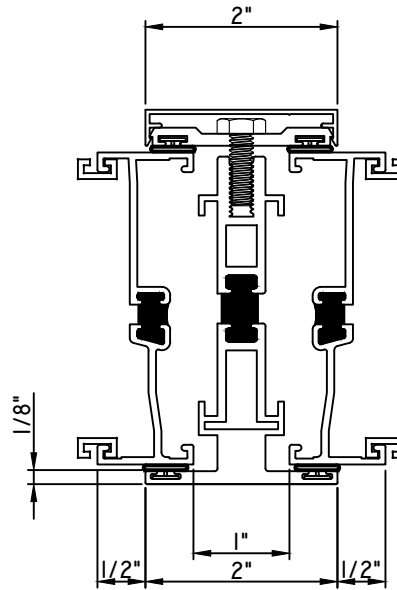
**QUAKER**  
COMMERCIAL

## 3 1/4" VERTICAL MULLIONS



### T-MULL

- M22126 - T-MULL
- MAX17386 - BASE
- MAX14141 - CAP
- BPN-9159 - W.S. (QTY. 4)
- MH1/4 20X3/4 - BOLTS (18" APROX. O.C.)
- PARTS FOR NON NAIL FIN INSTALL:
  - M13404 - L-ANGLE (QTY. 2)
  - MPS-8X1 1/2 - FASTENERS (QTY. 4)
- PARTS FOR NAIL FIN INSTALL:
  - M22127 - Z-CLIP (QTY. 2)
  - M23616 - H450 Z-CLIP (QTY. 2)



### T-MULL/1" STACK MULL LEFT/RIGHT

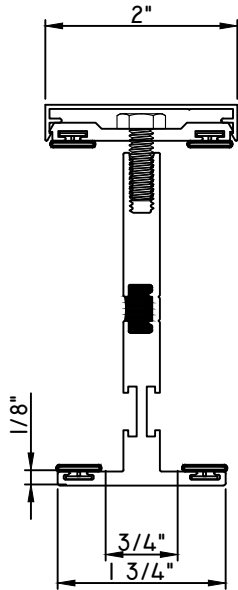
- M22126 - T-MULL
- MAX17386 - BASE
- MAX14141 - CAP
- M21087 - 1" STACK MULL LEFT/RIGHT

**MUST BE USED WITH STANDARD  
3 1/4" RECEPTOR & SUBSILLS**



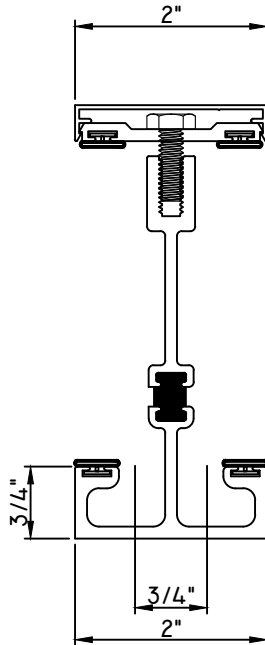
**QUAKER**  
COMMERCIAL

# 3 1/4" VERTICAL MULLIONS



**T-MULL**

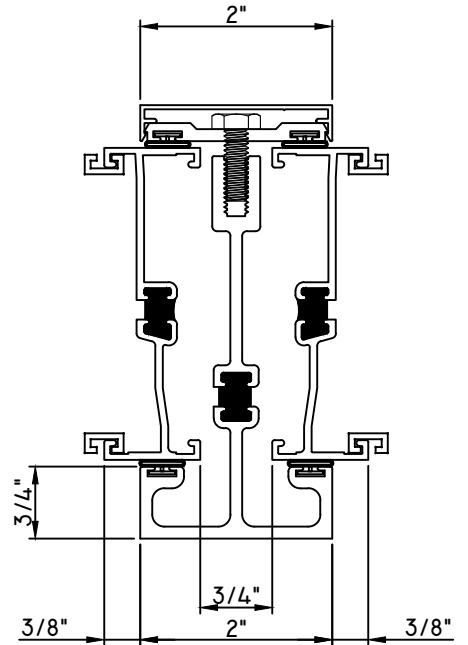
- M24628 - T-MULL
- MAX17386 - BASE
- MAX14141 - CAP
- BPN-9159 - W.S. (QTY. 4)
- MH1/4 20X3/4 - BOLTS (18" APROX. O.C.)
- PARTS FOR NON NAIL FIN INSTALL:
- M13404 - L-ANGLE (QTY. 2)
- MPS-8X1 1/2 - FASTENERS (QTY. 4)
- PARTS FOR NAIL FIN INSTALL:
- M22127 - Z-CLIP (QTY. 2)
- M23616 - H450 Z-CLIP (QTY. 2)



**T-MULL**

- M536203 - T-MULL
- M17386 - BASE
- MAX14141 - CAP
- BPN-9159 - W.S. (QTY. 4)
- MH1/4 20X3/4 - BOLTS (18" APROX. O.C.)
- M13404 - L-ANGLE (QTY. 2)
- MPS-8X1 1/2 - FASTENERS (QTY. 4)

**MUST BE USED WITH STANDARD  
2 3/8" RECEPTOR & SUBSILL**

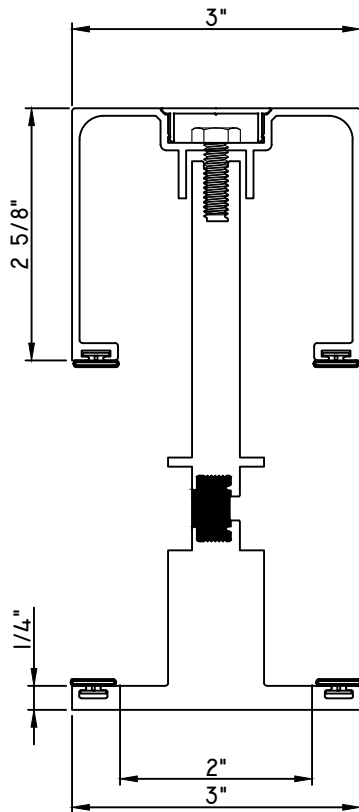


**T-MULL/1" STACK MULL  
LEFT/RIGHT**

- M536203 - T-MULL
- M17386 - BASE
- MAX14141 - CAP
- M21087 - 1" STACK MULL LEFT/RIGHT
- MUST BE USED WITH STANDARD  
2 3/8" RECEPTOR & SUBSILL**

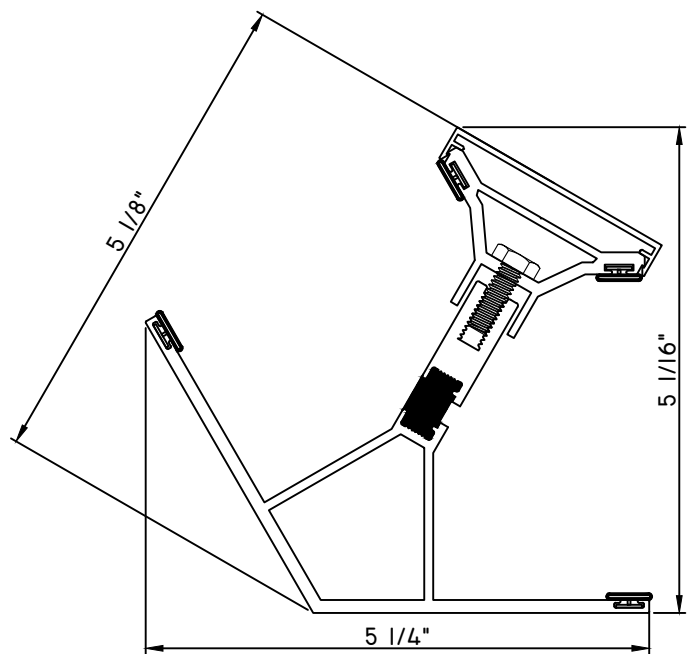


# 3 1/4" VERTICAL MULLIONS



## T-MULL

- M23980 - T-MULL
- M23981 - BASE
- M536207 - CAP
- BPN-9159 - W.S. (QTY. 4)
- MH1/4 20X3/4 - BOLTS (18" APROX. O.C.)
- M13404 - L-ANGLE (QTY. 2)
- MPS-8X1 1/2 - FASTENERS (QTY. 4)



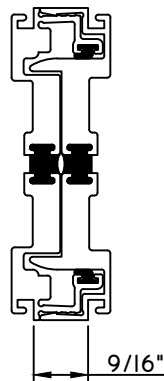
## 120° T-MULL

- 23916 - T-MULL
- 23917 - BASE
- 23918 - CAP
- BPN-9159 - W.S. (QTY. 4)
- MH1/4 20X3/4 - BOLTS (18" APROX. O.C.)
- MPS-8X1 1/2 - FASTENERS (QTY. 4)



**QUAKER**  
COMMERCIAL

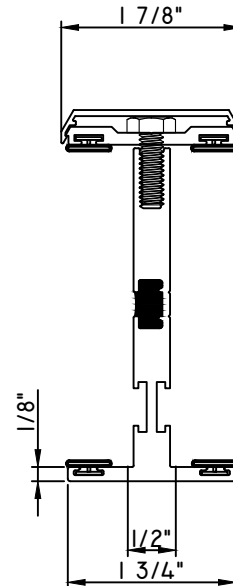
## 3 1/4" VERTICAL MULLIONS



### **9/16" HEAVY WALL MALE/FEMALE MULL**

- M22026 - MALE MULL
- M22025 - FEMALE MULL
- U4512-00000 - MALE MULL W.S. (QTY. 2)

**MUST BE USED WITH RECEPTOR &  
SUBSILL INSTALLATION**



### **T-MULL**

- M24628 - T-MULL
- M23056 - BASE
- M23058 - CAP
- BPN-9159 - W.S. (QTY. 4)
- MH1/4 20X3/4 - BOLTS (18" APROX. O.C.)
- PARTS FOR NON NAIL FIN INSTALL:
- M13404 - L-ANGLE (QTY. 2)
- MPS-8X1 1/2 - FASTENERS (QTY. 4)
- PARTS FOR NAIL FIN INSTALL:
- M22127 - Z-CLIP (QTY. 2)
- M23616 - H450 Z-CLIP (QTY. 2)

**MUST BE USED WITH STANDARD  
3 1/4" RECEPTOR & SUBSILLS**