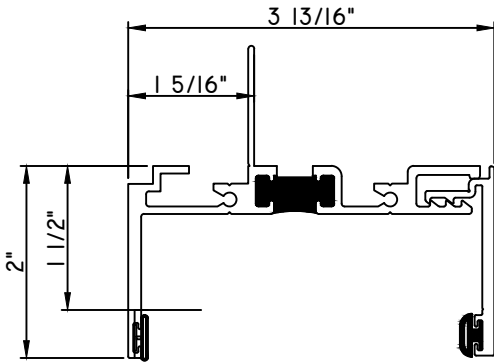




3 1/4" RECEPTORS



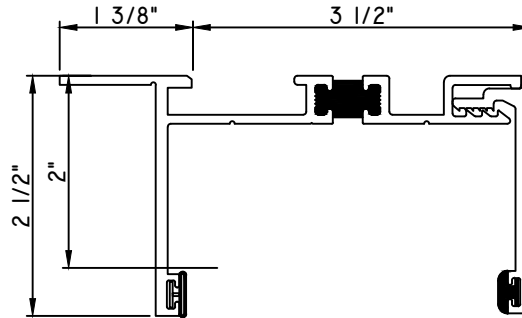
F.F. RECEPTOR & CLIP

M16694 - RECEPTOR
 M18065 - CLIP
 BPN-9159 - RECEPTOR W.S.
 BPN-4189 - CLIP W.S.

MUST BE USED WITH SUBSILL:

M17538

INSTALL TYPE:
 PREASSEMBLED



RECEPTOR & CLIP

M17376 - RECEPTOR
 M18140 - CLIP
 BPN-4189 - RECEPTOR W.S.
 BPN-9159 - CLIP W.S.

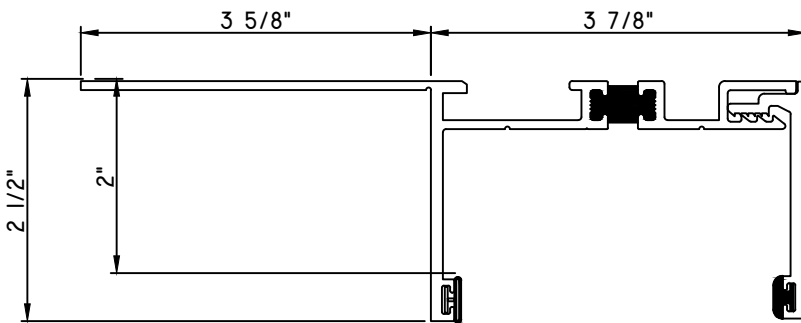
MUST BE USED WITH SUBSILL:

M17379

MUST BE USED WITH HEAD RECEPTOR:

M22284

INSTALL TYPE:
 FIELD CUT & NOTCH



RECEPTOR & CLIP

M17377 - RECEPTOR
 M18140 - CLIP
 BPN-4189 - RECEPTOR W.S.
 BPN-9159 - CLIP W.S.

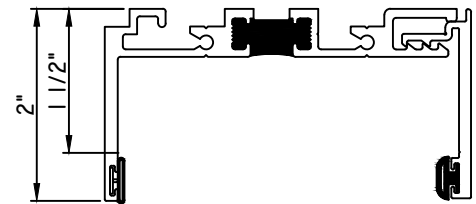
MUST BE USED WITH SUBSILL:

M17379

MUST BE USED WITH HEAD RECEPTOR:

M22285

INSTALL TYPE:
 FIELD CUT & NOTCH



RECEPTOR & CLIP

M17541 - RECEPTOR
 M18065 - CLIP
 M23914-ANCHOR STRAP
 BPN-9159 - RECEPTOR W.S.
 BPN-4189 - CLIP W.S.

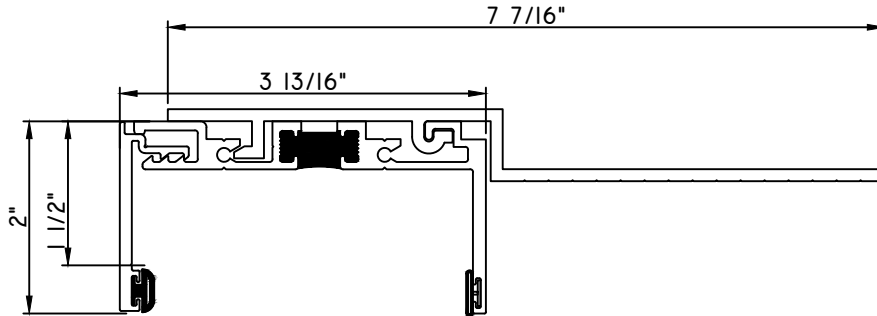
MUST BE USED WITH SUBSILL:

M17539 OR M17540

INSTALL TYPE:
 PREASSEMBLED OR SQUARE CUT IN FIELD



3 1/4" RECEPTORS



RECEPTOR & CLIP

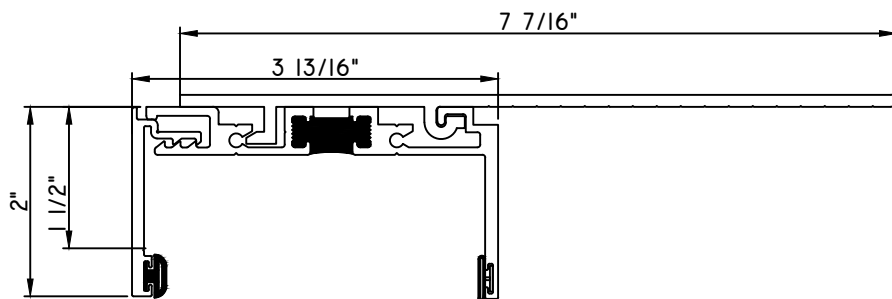
- M17541 - RECEPTOR
- M18065 - CLIP
- M23914-ANCHOR STRAP
- BPN-9159 - RECEPTOR W.S.
- BPN-4189 - CLIP W.S.

MUST BE USED WITH SUBSILL:

M17539 OR M17540

INSTALL TYPE:

PREASSEMBLED OR SQUARE CUT IN FIELD



RECEPTOR & CLIP

- M17541 - RECEPTOR
- M18065 - CLIP
- M23913-ANCHOR STRAP
- BPN-9159 - RECEPTOR W.S.
- BPN-4189 - CLIP W.S.

MUST BE USED WITH SUBSILL:

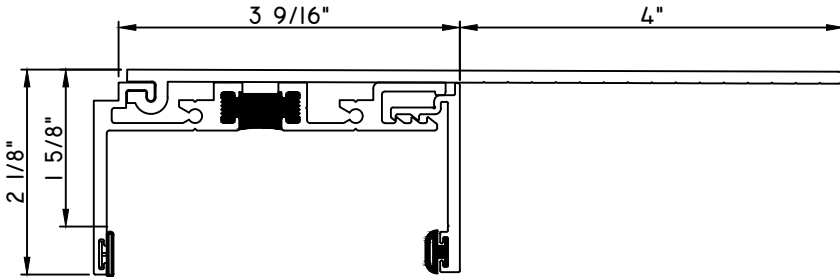
M17539 OR M17540

INSTALL TYPE:

PREASSEMBLED OR SQUARE CUT IN FIELD



3 1/4" RECEPTORS



RECEPTOR & CLIP

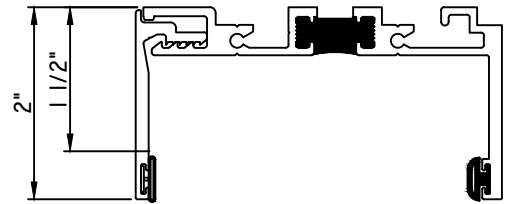
M17541 - RECEPTOR
 M18065 - CLIP
 M23914-ANCHOR STRAP
 BPN-9159 - RECEPTOR W.S.
 BPN-4189 - CLIP W.S.

MUST BE USED WITH SUBSILL:

M17539 OR M17540

INSTALL TYPE:

PREASSEMBLED OR SQUARE CUT IN FIELD



RECEPTOR & CLIP

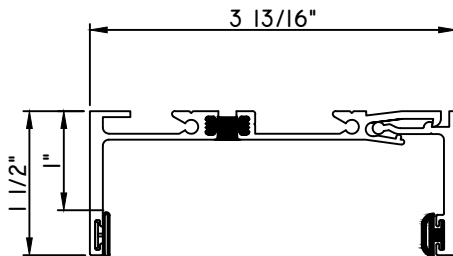
M17542 - RECEPTOR
 M17544 - CLIP
 M23913- ANCHOR STRAP
 BPN-4189 - RECEPTOR W.S.
 BPN-9159 - CLIP W.S.

MUST BE USED WITH SUBSILL:

M17539, M17540 OR M18097

INSTALL TYPE:

EXTERIOR INSTALLATION ONLY
 SQUARE CUT IN FIELD



RECEPTOR & CLIP

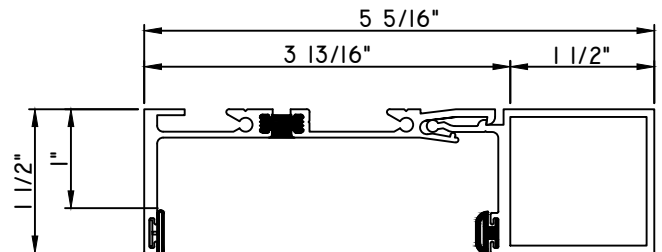
M18044 - RECEPTOR
 M18045 - CLIP
 BPN-4189 - RECEPTOR W.S.
 BPN-9159 - CLIP W.S.

MUST BE USED WITH SUBSILL:

M17539, M17540 OR M18097

INSTALL TYPE:

SQUARE CUT IN FIELD ONLY



RECEPTOR & CLIP

M18044 - RECEPTOR
 M58493 - CLIP
 BPN-4189 - RECEPTOR W.S.
 BPN-9159 - CLIP W.S.

MUST BE USED WITH SUBSILL:

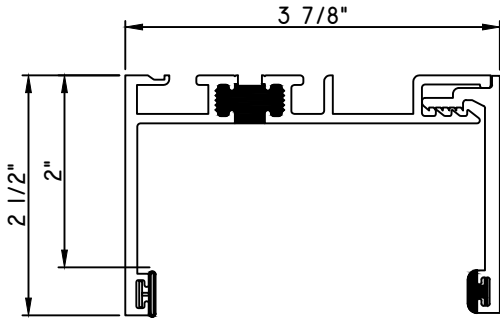
M17539, M17540 OR M18097

INSTALL TYPE:

SQUARE CUT IN FIELD ONLY

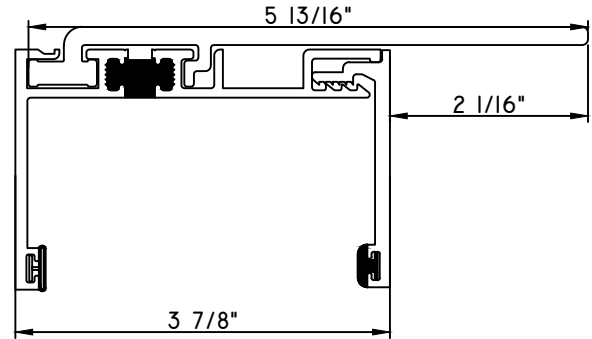


3 1/4" RECEPTORS



RECEPTOR & CLIP

M18871 - RECEPTOR
 M18140 - CLIP
 BPN-4189 - RECEPTOR W.S.
 BPN-9159 - CLIP W.S.



ANCHOR STRAP FOR RECEPTOR

M18139 - ANCHOR STRAP

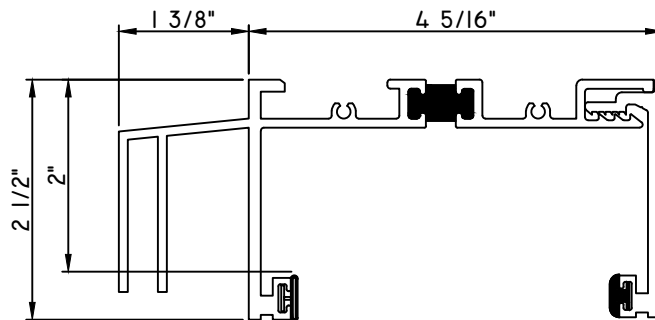
CAN BE USED WITH RECEPTOR M18871

MUST BE USED WITH SUBSILL:

M17379, M21079 OR M22287

INSTALL TYPE:

FIELD CUT & NOTCH



RECEPTOR & CLIP

M22284 - RECEPTOR
 M17378 - CLIP
 BPN-4189 - RECEPTOR W.S.
 BPN-9159 - CLIP W.S.

MUST BE USED WITH SUBSILL:

M17379

MUST BE USED WITH JAMB RECEPTOR:

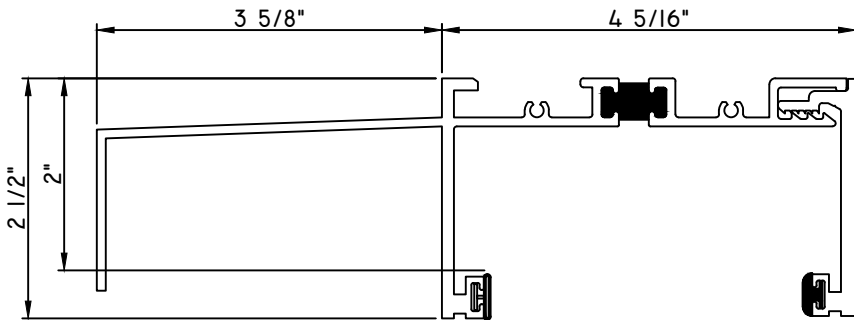
M17376

INSTALL TYPE:

FIELD CUT & NOTCH



3 1/4" RECEPTORS



RECEPTOR & CLIP

- M22285 - RECEPTOR
- M17378 - CLIP
- BPN-4189 - RECEPTOR W.S.
- BPN-9159 - CLIP W.S.

MUST BE USED WITH SUBSILL:

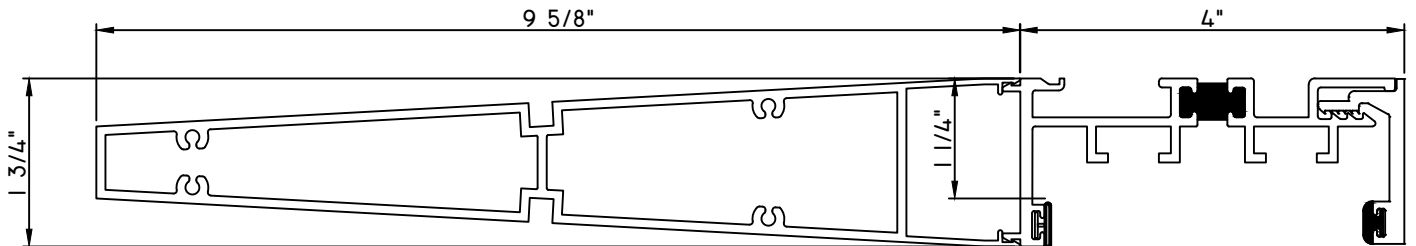
M17379

MUST BE USED WITH JAMB RECEPTOR:

M17377

INSTALL TYPE:

FIELD CUT & NOTCH



RECEPTOR W/ TRIM & CLIP

- M22250 - RECEPTOR
- M22248 - TRIM
- M21046 - CLIP
- BPN-4189 - RECEPTOR W.S.
- BPN-9159 - CLIP W.S.

MUST BE USED WITH SUBSILL:

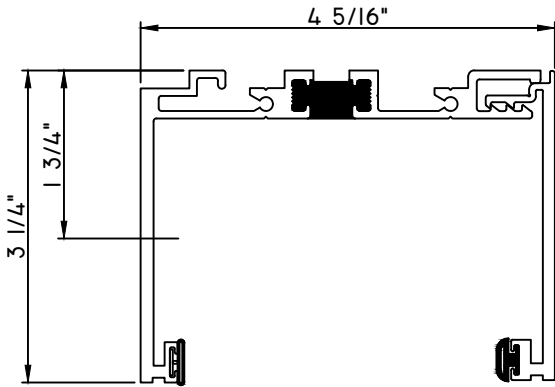
M22249

INSTALL TYPE:

SQUARE CUT IN FIELD



3 1/4" RECEPTORS



RECEPTOR & CLIP

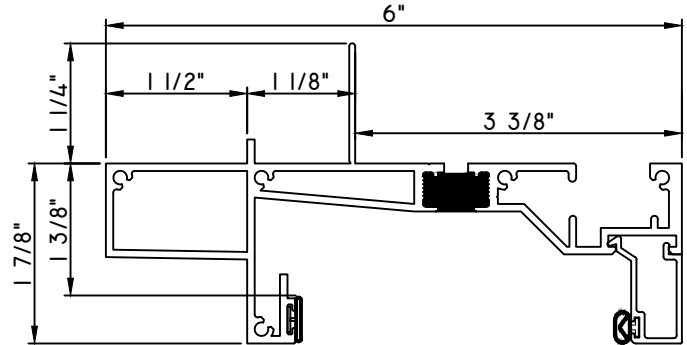
- M24023 - RECEPTOR
- M24024 - CLIP
- BPN-9159 - RECEPTOR W.S.
- BPN-4189 - CLIP W.S.

MUST BE USED WITH SUBSILL:

M17539, M17540, M18097

INSTALL TYPE:

SQUARE CUT IN FIELD



RECEPTOR & CLIP

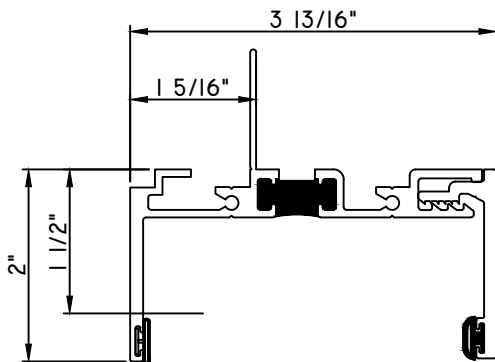
- M24068 - RECEPTOR
- M24069 - CLIP
- BPN-9159 - RECEPTOR W.S.
- 51518KN - CLIP W.S.

MUST BE USED WITH SUBSILL:

M24070

INSTALL TYPE:

PREASSEMBLED



F.F. RECEPTOR & CLIP

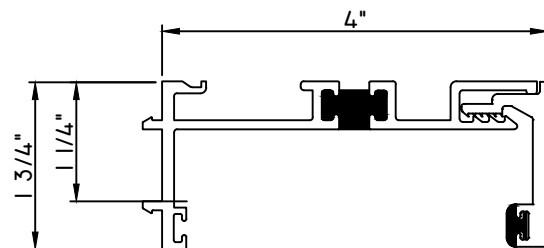
- M16694 - RECEPTOR
- M18065 - CLIP
- BPN-9159 - RECEPTOR W.S.
- BPN-4189 - CLIP W.S.

MUST BE USED WITH SUBSILL:

M17538

INSTALL TYPE:

PREASSEMBLED



RECEPTOR & CLIP

- M21603 - RECEPTOR
- M21056 - CLIP
- BPN-9159 - RECEPTOR W.S.
- BPN-4189 - CLIP W.S.

MUST BE USED WITH SUBSILL:

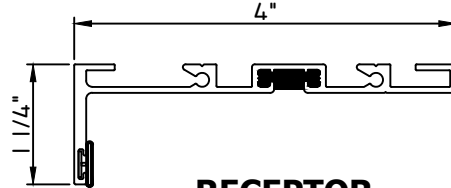
M17538

INSTALL TYPE:

PREASSEMBLED



3 1/4" RECEPTORS



RECEPTOR

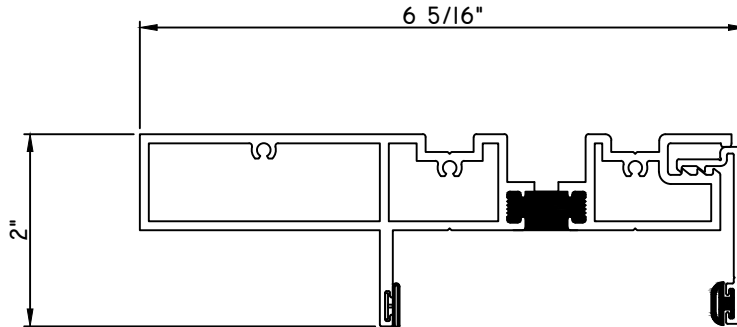
- M18001 - RECEPTOR
- BPN-9159 - RECEPTOR W.S.
- BPN-4189 - CLIP W.S.

MUST BE USED WITH SUBSILL:

M23133

INSTALL TYPE:

PREASSEMBLED OR SQUARE CUT IN FIELD



RECEPTOR & CLIP

- M24785 - RECEPTOR
- M18065 - CLIP
- BPN-9159 - RECEPTOR W.S.
- BPN-4189 - CLIP W.S.
- MH8-18X1 LP - FASTENER (QTY. 16)

MUST BE USED WITH SUBSILL:

M24786 SUBSILL

INSTALL TYPE:

PREASSEMBLED