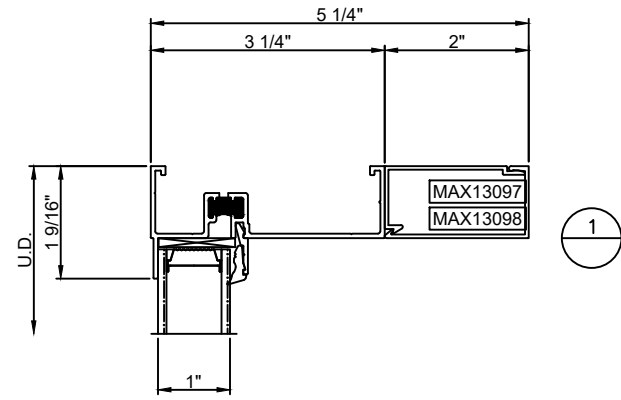
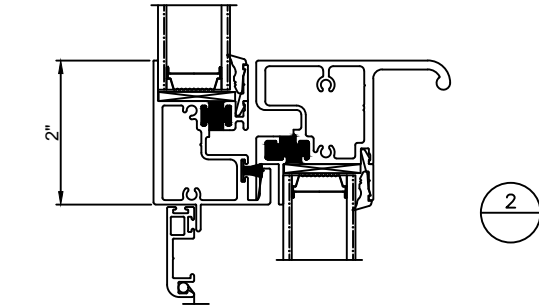
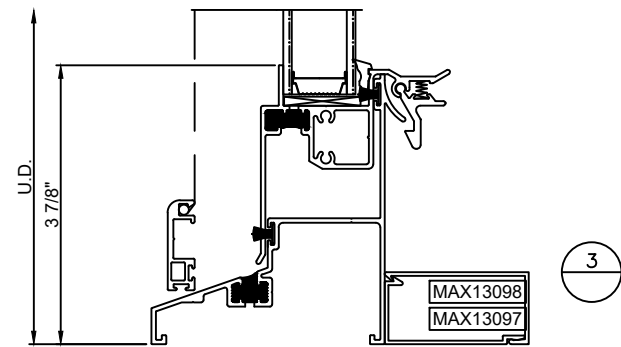
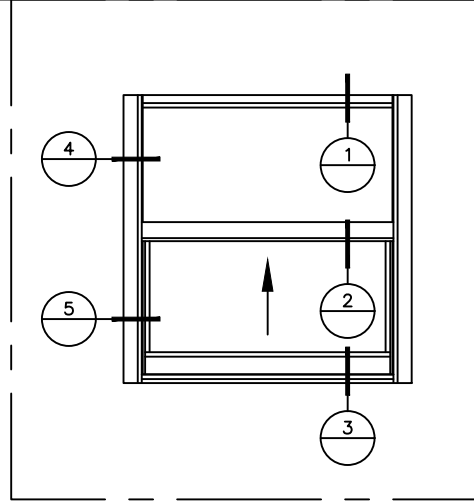
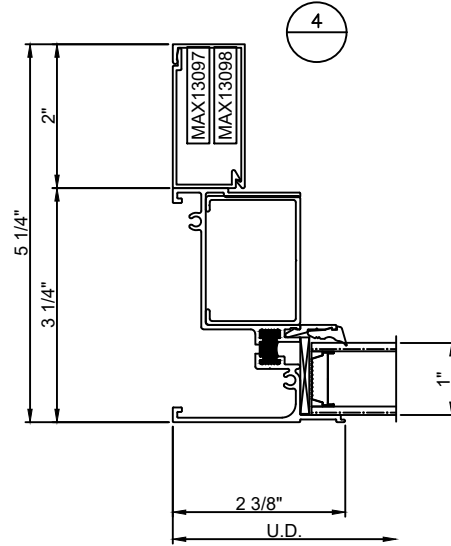
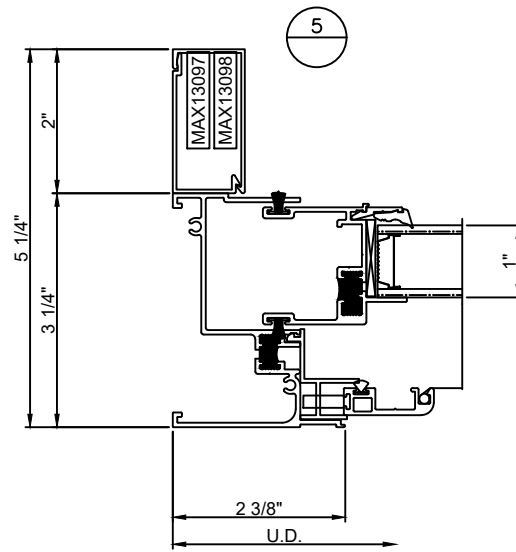


EXTERIOR



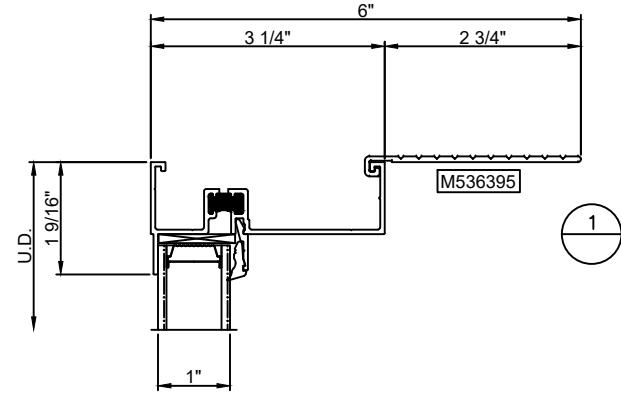
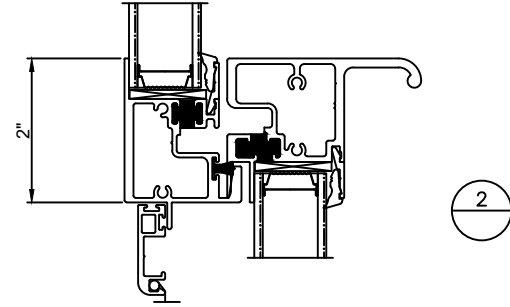
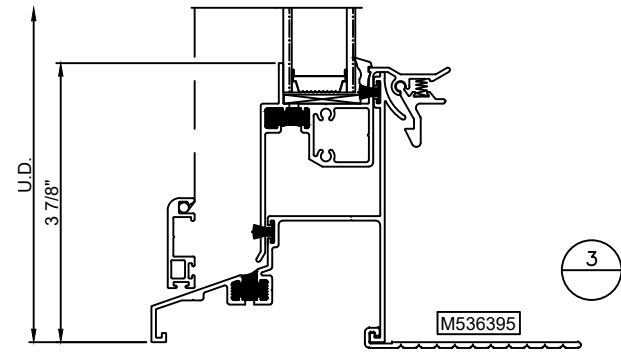
EXTERIOR



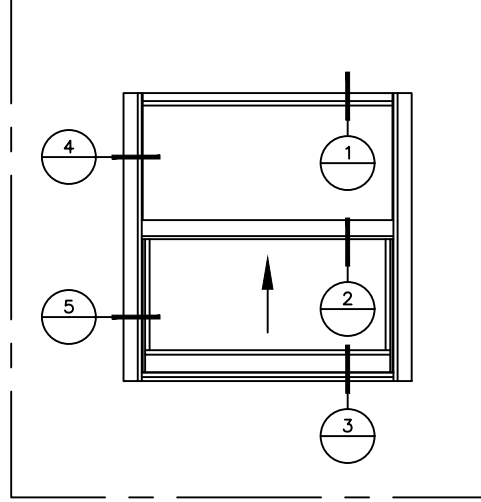
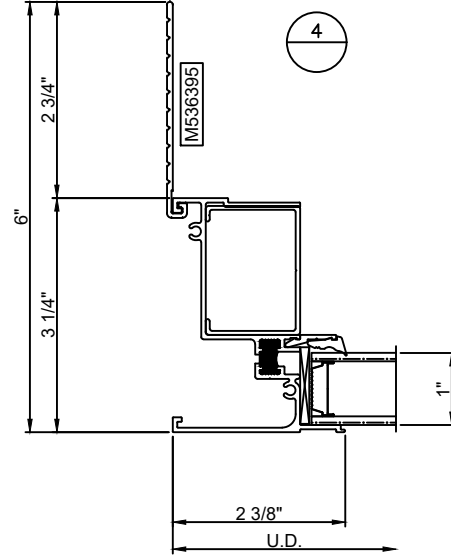
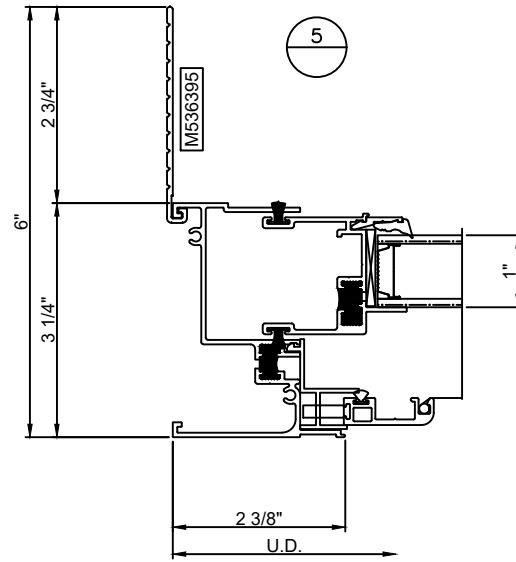
SERIES	T500
CONFIGURATION	SINGLE HUNG
INSTALLATION METHOD	INTERIOR SNAP TRIM
<p>Quaker reserves the right to change any/all designs without notice. Due to periodic re-certification requirements, result shown may vary. Installation methods shown are generic. No sealant shown on details. Accessory part numbers are shown on the cut sections. Contact Quaker if job specific details are required. This Document contains confidential and proprietary information intended for the private use of Quaker. 2015 Quaker Window Products Co., Inc. All rights reserved.</p>	

		QUAKER COMMERCIAL	
		504 Highway 63 South Freeburg, MO 65035	
Drawn By: QWP	Scale: 3/8"=1"	Description: CUT DETAILS	
Checked By:	Sheet #: C1	Project Name: QUAKER DETAILS	
Drawing Created 3/7/22		PHONE (573)-744-5211 FAX (573)-744-5586 COMMERCIAL FAX (573)-744-5822 www.quakercommercialwindows.com	

EXTERIOR



EXTERIOR



SERIES	T500
CONFIGURATION	SINGLE HUNG
INSTALLATION METHOD	INTERIOR ANCHOR STRAP
<p>Quaker reserves the right to change any/all designs without notice. Due to periodic re-certification requirements, result shown may vary. Installation methods shown are generic. No sealant shown on details. Accessory part numbers are shown on the cut sections. Contact Quaker if job specific details are required. This Document contains confidential and proprietary information intended for the private use of Quaker. 2015 Quaker Window Products Co., Inc. All rights reserved.</p>	

Description: **CUT DETAILS**

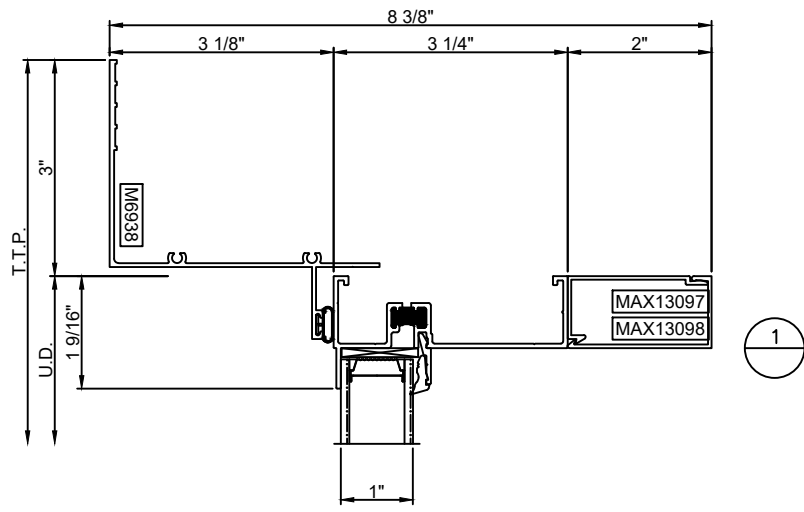
Project Name: **QUAKER DETAILS**



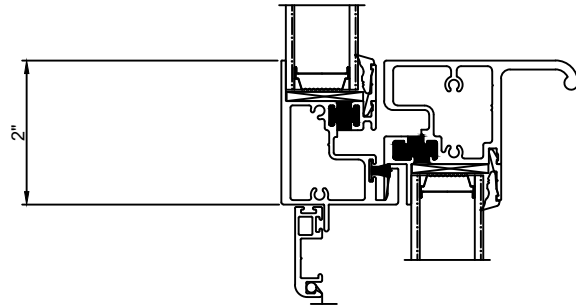
Drawn By: **QWP**
 Checked By: **----**
 Scale: **3/8"=1"**
 Sheet #: **C2**

PHONE (573)-744-5211
 FAX (573)-744-5586
 COMMERCIAL
 FAX (573)-744-5822
 www.quakercommercialwindows.com

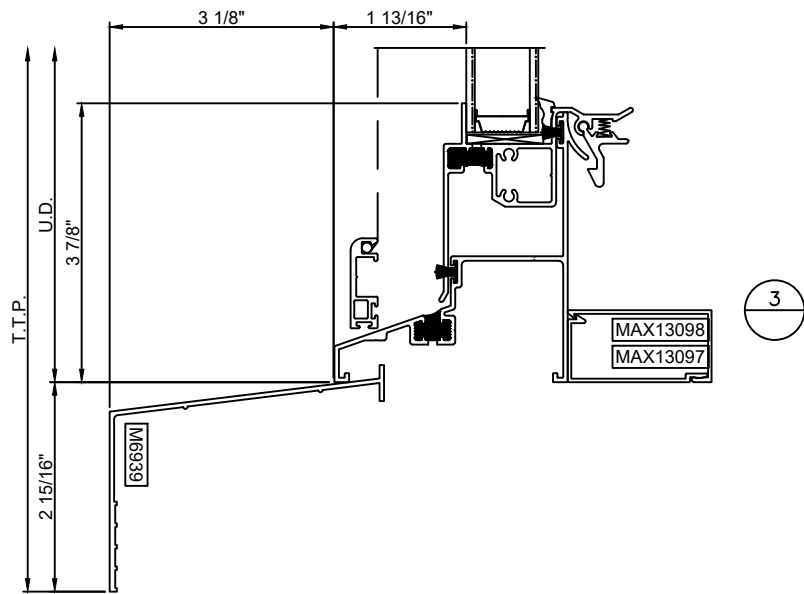
EXTERIOR



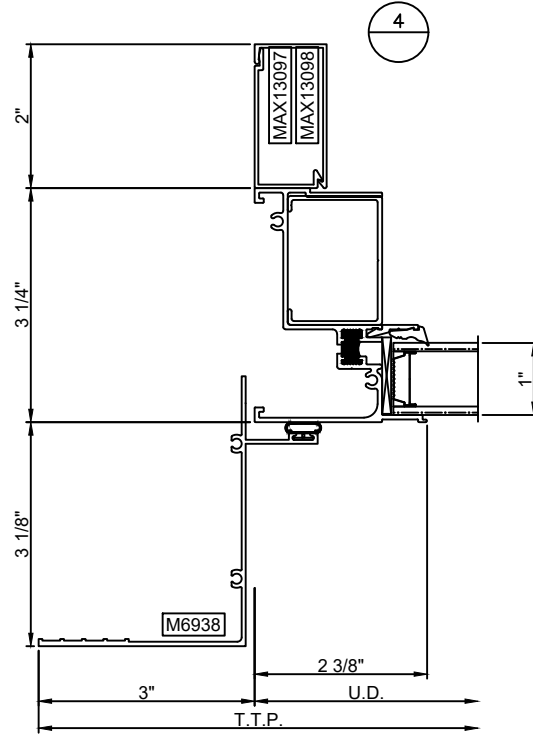
1



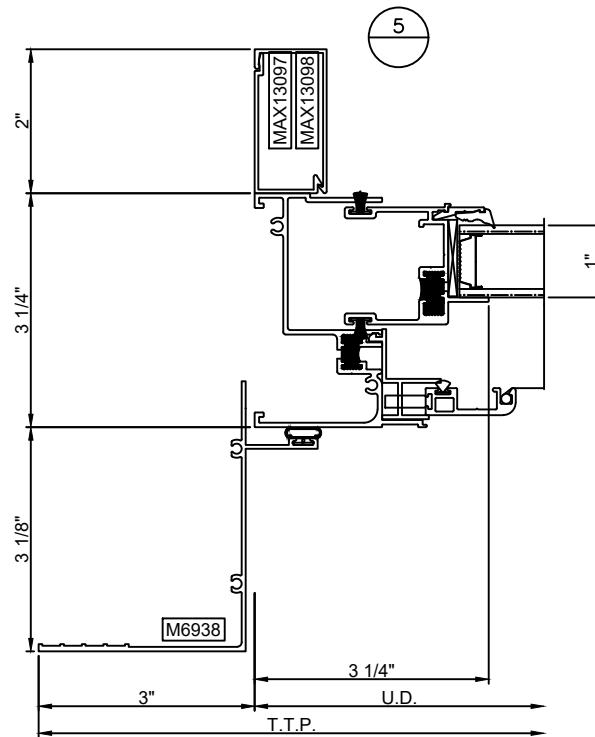
2



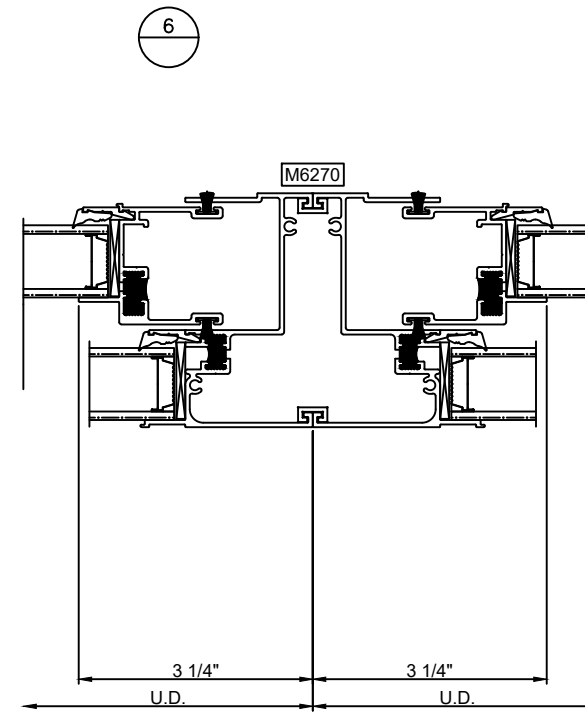
3



4



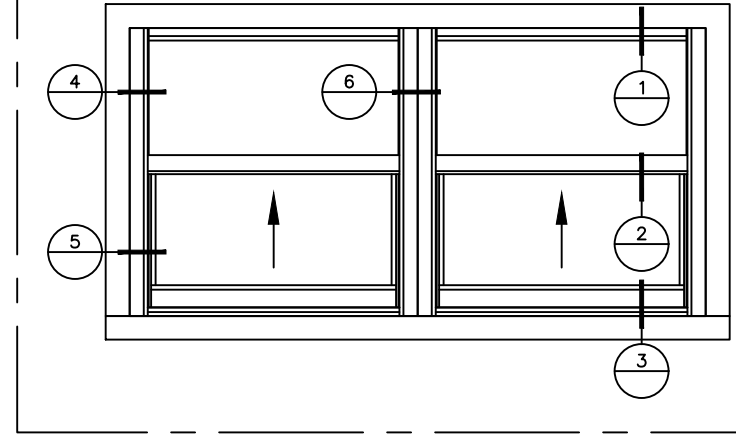
5



6

EXTERIOR

SERIES	H650
CONFIGURATION	SINGLE HUNG
INSTALLATION METHOD	PRESET PANNING INTERIOR SNAP TRIM
<p>Quaker reserves the right to change any/all designs without notice. Due to periodic re-certification requirements, result shown may vary. Installation methods shown are generic. No sealant shown on details. Accessory part numbers are shown on the cut sections. Contact Quaker if job specific details are required. This Document contains confidential and proprietary information intended for the private use of Quaker. 2015 Quaker Window Products Co., Inc. All rights reserved.</p>	



Project Name: **QUAKER DETAILS**

Description: **CUT DETAILS**

QUAKER
COMMERCIAL

PHONE (573)-744-5211
 FAX (573)-744-5586
 COMMERCIAL
 FAX (573)-744-5822
 www.quakercommercialwindows.com

Scale: 3/8"=1"
 Sheet #: C3
 Drawn By: QWP
 Checked By: -----

Drawing Created
 3/7/22