

V250 Series
3 1/4" Frame Depth
Double Hung/Single Hung

V250 SERIES DOUBLE HUNG/SINGLE HUNG

FEATURES

- ◇ **Commercial Framing System**
 - 3 1/4" main frame
 - 0.060" wall thickness of frame, 0.070" wall thickness of sash
- ◇ **Enhanced Design**
 - Mitered and welded corners
- ◇ **Glazing**
 - 3/4" insulated glass
- ◇ **Hardware**
 - Block and tackle balancers
- ◇ **Screen**
 - Roll form aluminum screen frame with BetterVue™ mesh with WaterShed® technology
- ◇ **Colors**
 - White or Sandstone vinyl (interior/exterior)

BENEFITS

- ◇ The capacity to match exterior colors for unique project facades
- ◇ The ability to facilitate large sizes for taller and wider window openings

PERFORMANCE

- ◇ **Structural & Thermal** (test reports or thermal simulations available upon request)

Model	Double Hung	Single Hung
Test Size	36" x 84"	36" x 84"
NAFS Rating	LC-35	
Structural Load P.S.F.	52.5	52.5
Air at 50 MPH (cfm/ft ²)	<0.30	
Water (No Penetration) P.S.F.	5.25	5.25
U-Value (ranges based on multiple Low-E/Argon combinations)	0.23-0.33	0.23-0.34
SHGC (ranges based on multiple Low-E/Argon combinations)	0.12-0.50	0.13-0.51

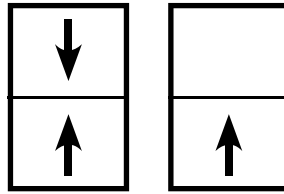
Double Hung Window Operating Force: 17 lbf (Initiate motion), 20 lbf (Maintain motion), <4 lbf (Latches)
 Single Hung Window Operating Force: 15 lbf (Initiate motion), 18 lbf (Maintain motion), 3 lbf (Latches)

OPTIONS

- ◇ **Available Configurations**
 - Double Hung
 - Single Hung
 - Geometric shapes
- ◇ **Muntin Choices**
 - Internal or simulated divided lites available
- ◇ **Limited travel Hardware**
- ◇ **Nailing Fin**
- ◇ **Screen**
 - Roll form aluminum screen frame with aluminum wire mesh
 - Roll form aluminum screen frame with sunscreen mesh
 - Roll form aluminum screen frame with stainless steel 0.009" thickness mesh
- ◇ **Glazing**
 - Multiple Low-E and argon glazing choices
 - Triple glazing (Energy TG)
 - Capillary tubes
 - Wide variety of glazing, tinting and thickness options
- ◇ **Panning & Trim Choices**
 - Wide variety of panning, receptor and trim available
- ◇ **Mulling**
 - Wide variety of structural mulls
- ◇ **Colors**
 - High-performance Textured Black laminate (interior/exterior)
 - High-performance Textured Black laminate (exterior only with White vinyl or Textured Black laminate interior)
 - High-performance Textured Dark Bronze laminate (exterior only with White vinyl interior)
 - Twelve painted exterior colors (with White or Sandstone vinyl interior)
 - Unlimited custom painted exterior colors

Our products are tested to the standards of and certified by some of the foremost organizations in the fenestration industry.

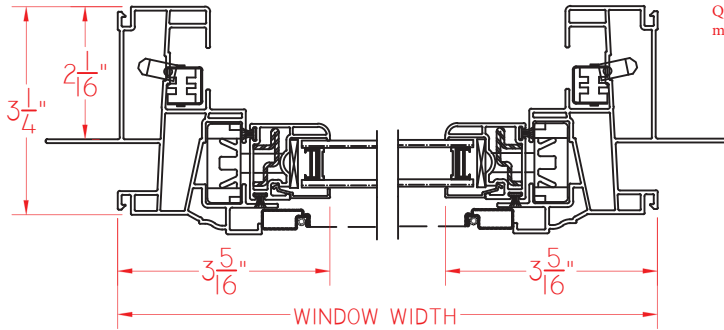




V250 Series 3 1/4" Frame Depth Double Hung/Single Hung

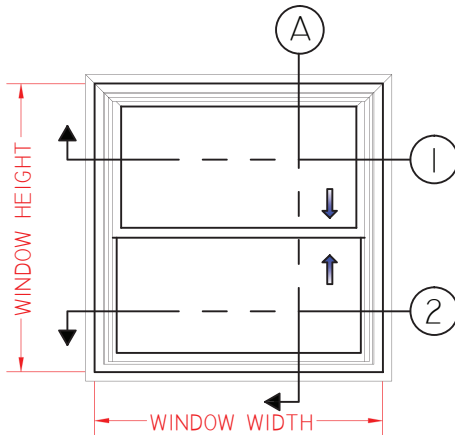
V250 DOUBLE HUNG

This document contains confidential and proprietary information intended for the private use of Quaker.
© 2016 Quaker Window Products Co., INC. All rights reserved.
Quaker reserves the right to change any/all designs without notice. Due to periodic re-certification requirements, result shown may vary.

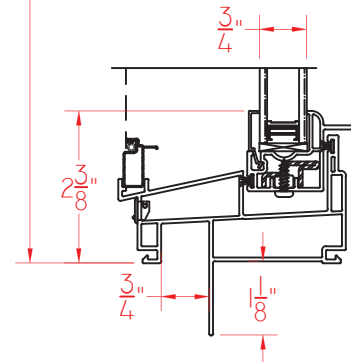
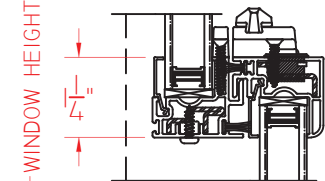
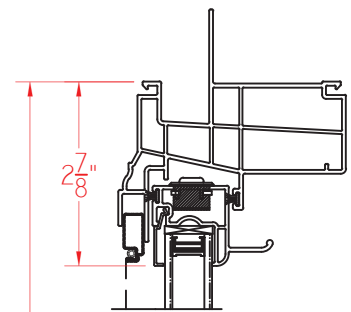


① HORIZONTAL CROSS SECTION

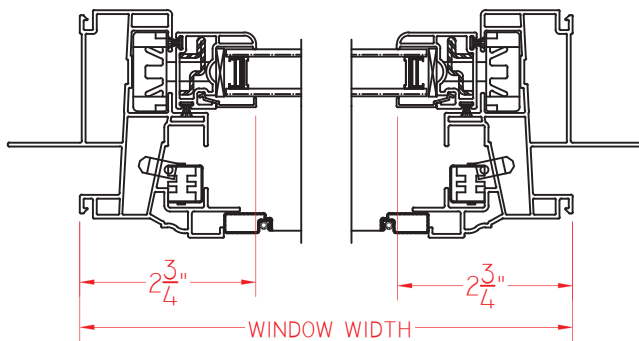
Ⓐ VERTICAL CROSS SECTION



ELEVATION SCALE 1/2" = 1'-0"



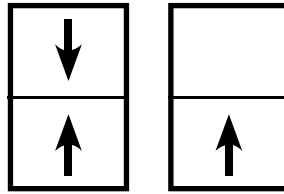
② HORIZONTAL CROSS SECTION



SCALE 1:3

Our products are tested to the standards of and certified by some of the foremost organizations in the fenestration industry.

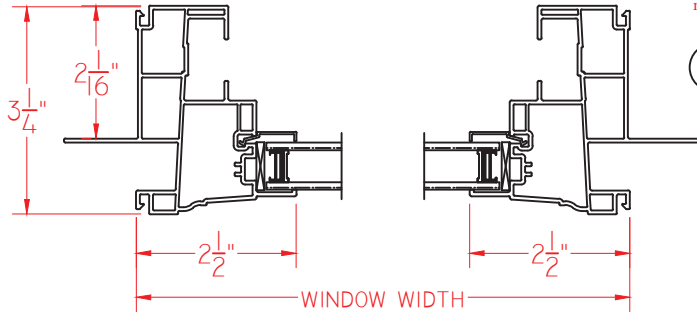




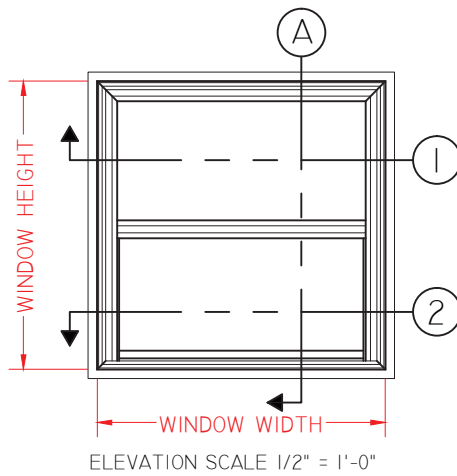
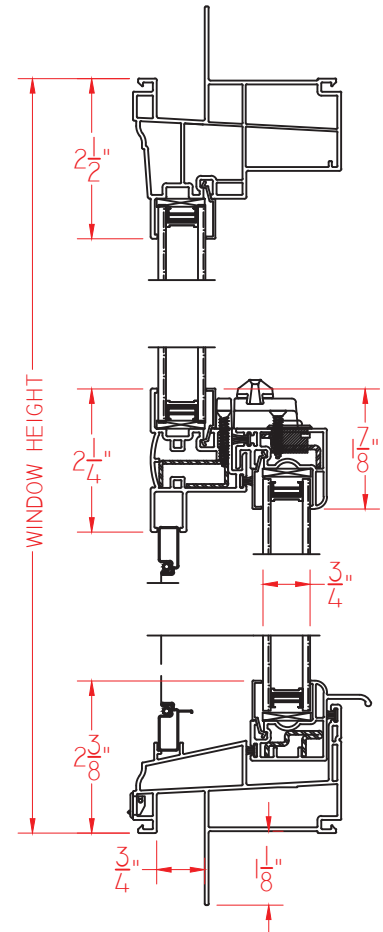
V250 Series 3 1/4" Frame Depth Double Hung/Single Hung

V250 SINGLE HUNG

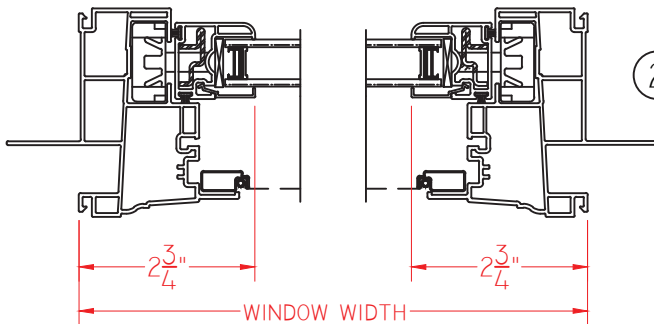
This document contains confidential and proprietary information intended for the private use of Quaker.
© 2016 Quaker Window Products Co., INC. All rights reserved.
Quaker reserves the right to change any/all designs without notice. Due to periodic re-certification requirements, result shown may vary.



Ⓐ VERTICAL CROSS SECTION



② HORIZONTAL CROSS SECTION



SCALE 1:3

Our products are tested to the standards of and certified by some of the foremost organizations in the fenestration industry.

