



V250 Series 3 1/4" Frame Depth Fixed (Picture Window)

V250 SERIES FIXED (PICTURE WINDOW)

FEATURES

- ◇ **Commercial Framing System**
 - 3 1/4" main frame
 - 0.060" wall thickness of frame, 0.070" wall thickness of sash
- ◇ **Enhanced Design**
 - Mitered and welded corners
- ◇ **Glazing**
 - 3/4" insulated glass
- ◇ **Colors**
 - White or Sandstone vinyl (interior/exterior)

BENEFITS

- ◇ The capacity to match exterior colors for unique project facades
- ◇ The ability to facilitate large sizes for taller and wider window openings

OPTIONS

- ◇ **Available Configurations**
 - Picture window
 - Geometric shapes
- ◇ **Muntin Choices**
 - Internal or simulated divided lites available
- ◇ **Nailing Fin**
- ◇ **Glazing**
 - Multiple Low-E and argon glazing choices
 - Triple glazing (Energy TG)
 - Capillary tubes
 - Wide variety of glazing, tinting and thickness options
- ◇ **Panning & Trim Choices**
 - Wide variety of panning, receptor and trim available
- ◇ **Mulling**
 - Wide variety of structural mulls
- ◇ **Colors**
 - High-performance Textured Black laminate (interior/exterior)
 - High-performance Textured Black laminate (exterior only with White vinyl or Textured Black laminate interior)
 - High-performance Textured Dark Bronze laminate (exterior only with White vinyl interior)
 - Twelve painted exterior colors (with White or Sandstone vinyl interior)
 - Unlimited custom painted exterior colors

PERFORMANCE

- ◇ Structural & Thermal (test reports or thermal simulations available upon request)

Model	Fixed (Picture Window)	Casement Fixed (Picture Window)
NAFS Rating	LC-35	
Structural Load P.S.F.	52.5	
Air at 50 MPH (cfm/ft ²)	<0.30	
Water (No Penetration) P.S.F.	5.25	
U-Value (ranges based on multiple Low-E/Argon combinations)	0.20-0.32	0.20-0.32
SHGC (ranges based on multiple Low-E/Argon combinations)	0.13-0.53	0.13-0.50
Window Test Size	56" × 56"	

Our products are tested to the standards of and certified by some of the foremost organizations in the fenestration industry.

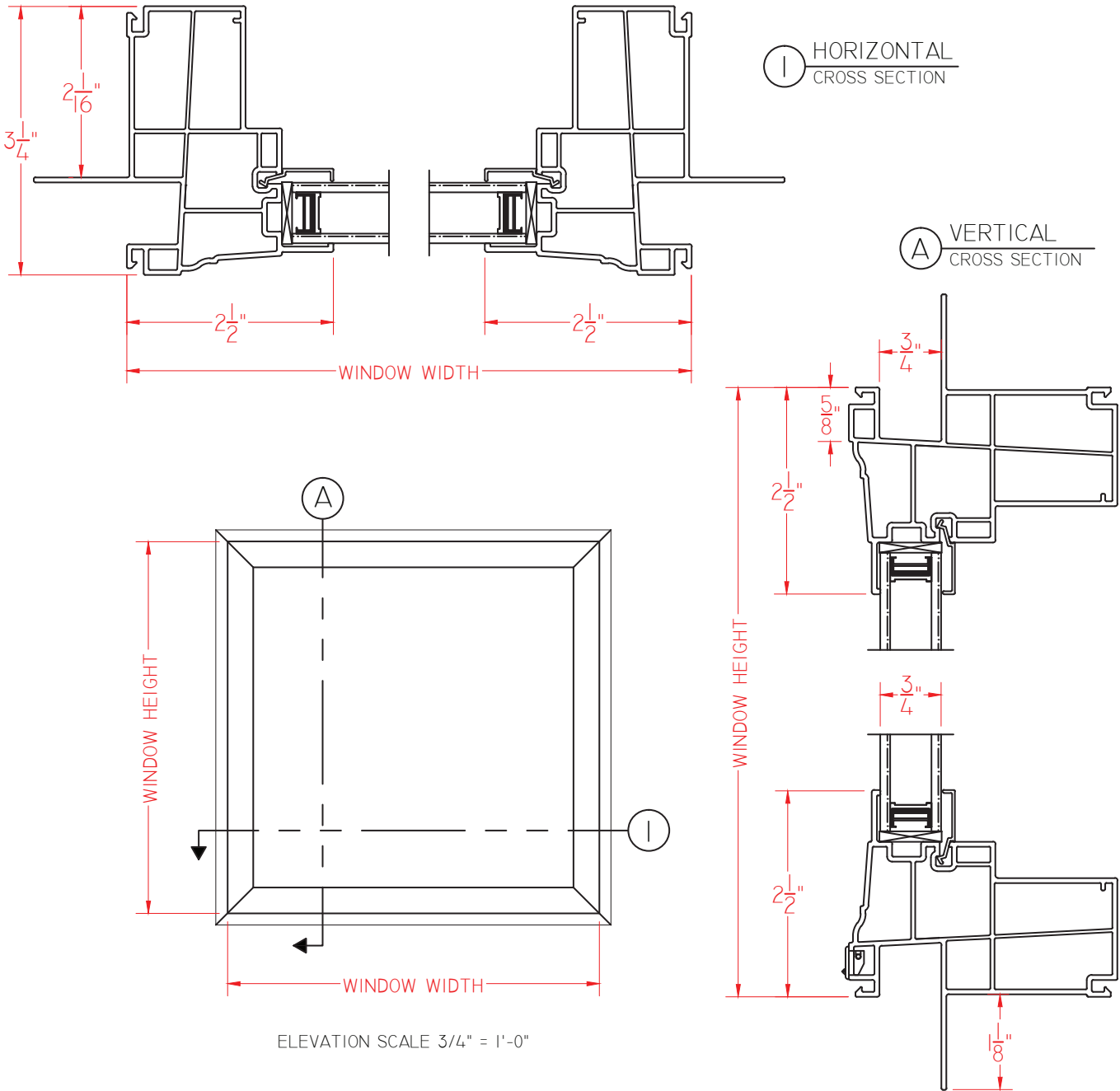




V250 Series
3 1/4" Frame Depth
Fixed (Picture Window)

V250 PICTURE WINDOW

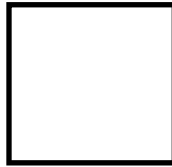
This document contains confidential and proprietary information intended for the private use of Quaker.
© 2016 Quaker Window Products Co., INC. All rights reserved.
Quaker reserves the right to change any/all designs without notice. Due to periodic re-certification requirements, result shown may vary.



SCALE 1:2

Our products are tested to the standards of and certified by some of the foremost organizations in the fenestration industry.

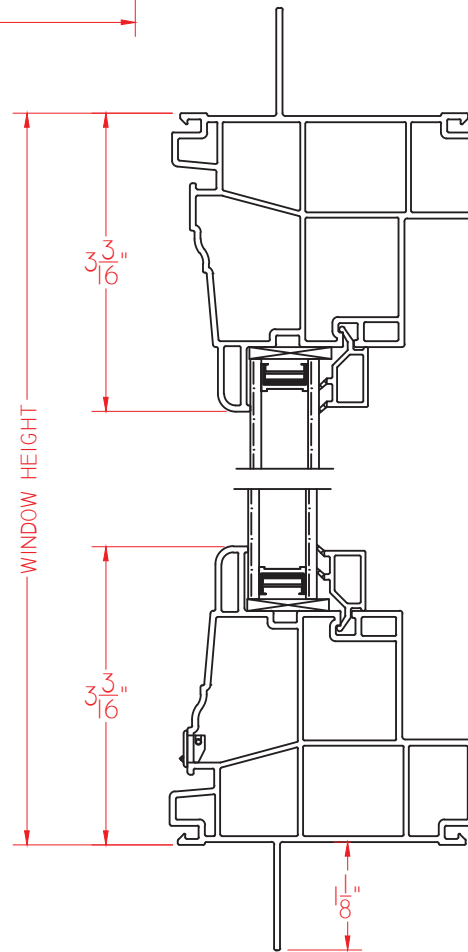
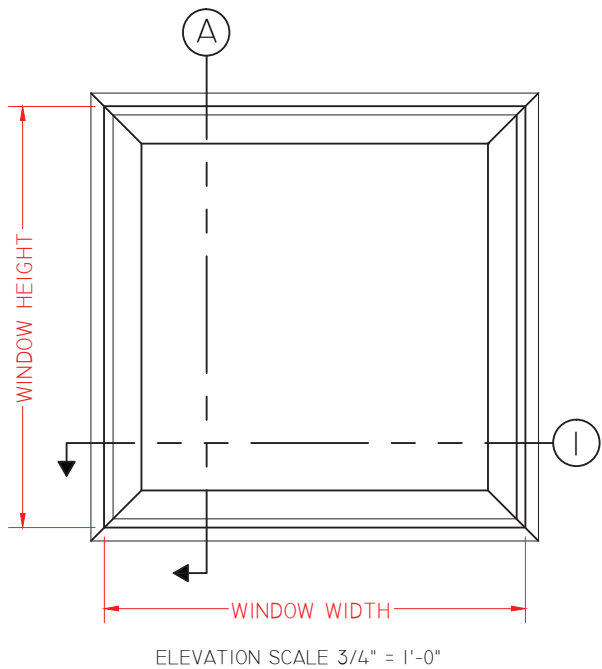
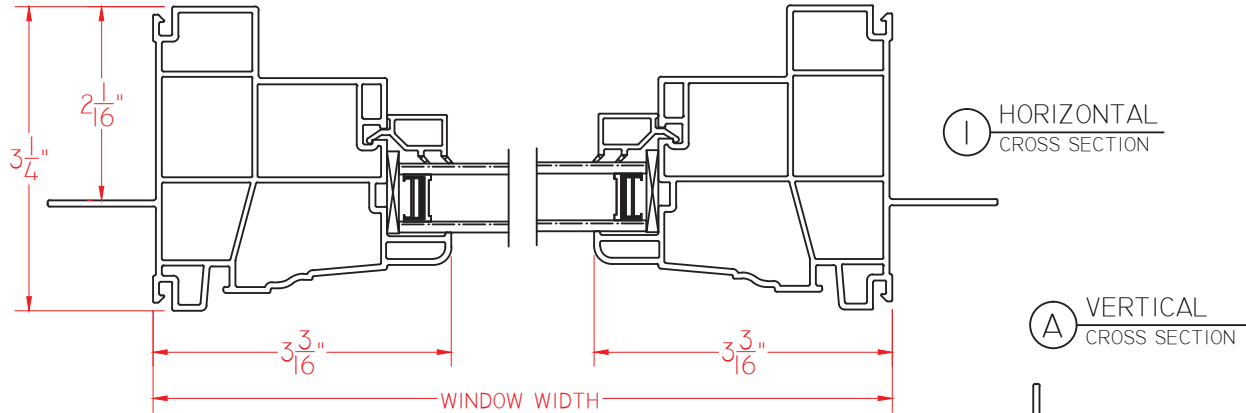




V250 Series
3 1/4" Frame Depth
Fixed (Picture Window)

V250 CASEMENT PICTURE WINDOW

This document contains confidential and proprietary information intended for the private use of Quaker.
 © 2016 Quaker Window Products Co., INC. All rights reserved.
 Quaker reserves the right to change any/all designs without notice. Due to periodic re-certification requirements, result shown may vary.



SCALE 1:2

Our products are tested to the standards of and certified by some of the foremost organizations in the fenestration industry.

