

# E500 Series 3 1/4" Frame Depth Horizontal Slider

## E500 SERIES HORIZONTAL SLIDER

### FEATURES

- ◇ Commercial Framing System
  - 3 1/4" main frame
  - 0.062" wall thickness of frame
- ◇ Thermally Enhanced Design
  - Azon pour and debridge thermal break is 1/2" wide in all main frame and vent rail extrusions
  - Frame and sash mitered and joined with screw fasteners
  - Fin seal wool pile weatherstripping
  - Positive interlocks
- ◇ Glazing
  - 1" insulated glass
- ◇ Hardware
  - Ball bearing rollers with nylon tire for easy operation
  - Gravity latch
- ◇ Screen
  - Extruded aluminum screen frame with BetterVue™ mesh

### BENEFITS

- ◇ The capacity to match exterior colors for unique project facades
- ◇ The ability to facilitate large sizes for taller and wider window openings

### PERFORMANCE

- ◇ Structural & Thermal (test reports or thermal simulations available upon request)

Model	Horizontal Slider
AAMA/WDMA/CSA 101/I.S.2/A440-08 Rating	AW-PG50
Structural Load P.S.F.	75.19
Air infiltration	<0.10
Water (No Penetration) P.S.F.	10.03
U-Value (ranges based on multiple Low-E/Argon combinations)	0.36 - 0.41
SHGC (ranges based on multiple Low-E/Argon combinations)	0.13 - 0.48

Window test size: 99" x 79"

Operating Force: 22 lbf (maintain motion), 1 lbf (latches)

### OPTIONS

- ◇ Available Configurations
  - Fixed-Active
  - Active-Fixed
  - Active-Fixed-Active
  - Fixed-Active-Fixed
- ◇ Muntin Choices
  - Internal or simulated divided lites available
- ◇ Hardware
  - Sweep lock
  - Night latch
  - Limited travel latch
  - Wide variety of locking and operating hardware options
- ◇ Nailing Fin
- ◇ Screen
  - Extruded aluminum screen frame with aluminum wire mesh
  - Extruded aluminum screen frame with sunscreen mesh
  - Extruded aluminum screen frame with stainless steel 0.009" thickness mesh
  - Security screen (limitations apply)
- ◇ Glazing
  - Capillary tubes
  - Argon gas
  - Wide variety of glazing, tinting and thickness options
- ◇ Panning & Trim Choices
  - Wide variety of panning, receptor and trim available
- ◇ Mulling
  - Wide variety of structural mulls
- ◇ Specialty
  - Attached exterior or interior storm window
  - Extension jambs

Our products are tested to the standards of and certified by some of the foremost organizations in the fenestration industry.



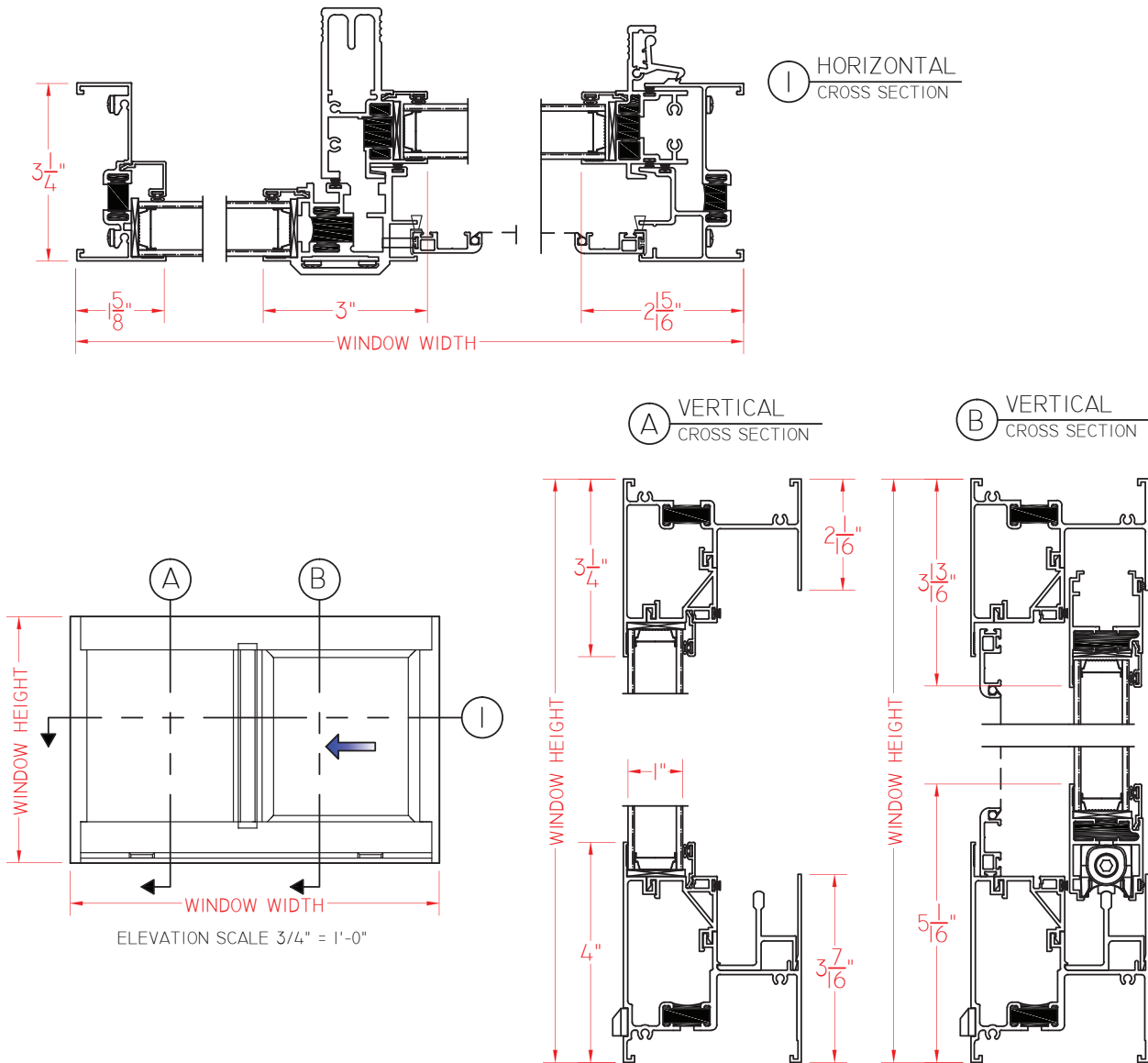




# E500 Series 3 1/4" Frame Depth Horizontal Slider

## E500 SLIDER WITHOUT NAILING FIN

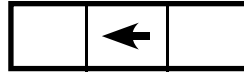
This document contains confidential and proprietary information intended for the private use of Quaker.  
© 2016 Quaker Window Products Co., INC. All rights reserved.  
Quaker reserves the right to change any/all designs without notice. Due to periodic re-certification requirements, result shown may vary.



SCALE 1:3

Our products are tested to the standards of and certified by some of the foremost organizations in the fenestration industry.

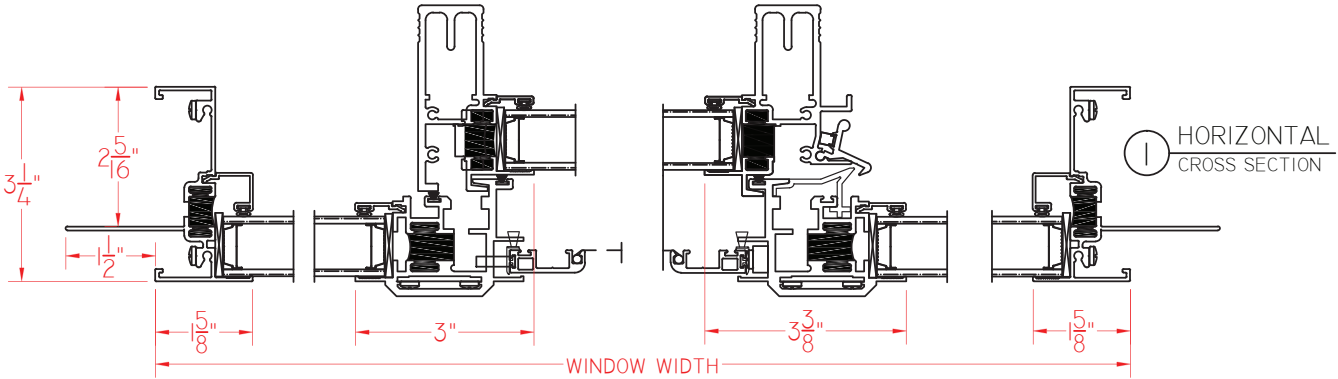




**E500 Series**  
**3 1/4" Frame Depth**  
**Horizontal Slider**

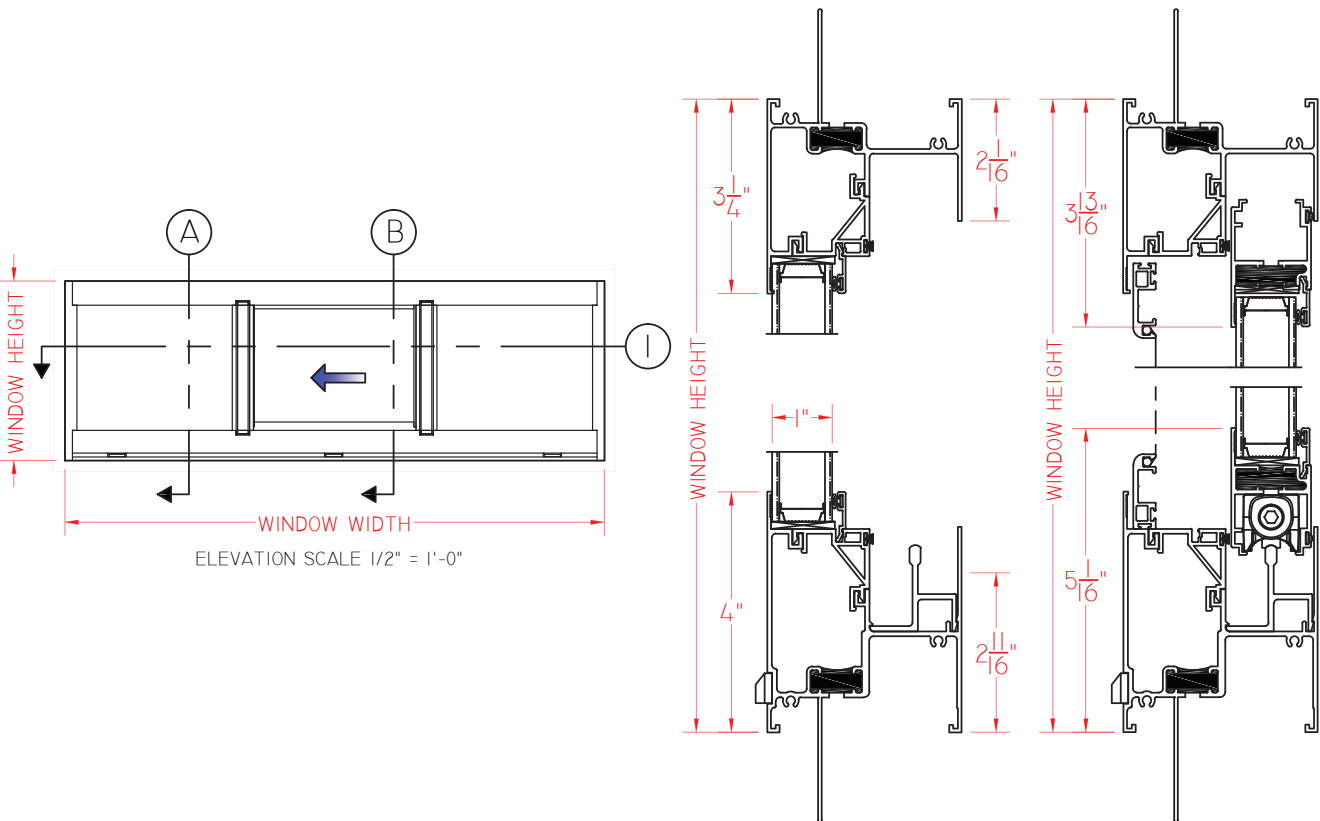
**E500 CENTER VENT SLIDER WITH NAILING FIN**

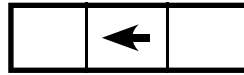
This document contains confidential and proprietary information intended for the private use of Quaker.  
© 2016 Quaker Window Products Co., INC. All rights reserved.  
Quaker reserves the right to change any/all designs without notice. Due to periodic re-certification requirements, result shown may vary.



① VERTICAL CROSS SECTION

② VERTICAL CROSS SECTION

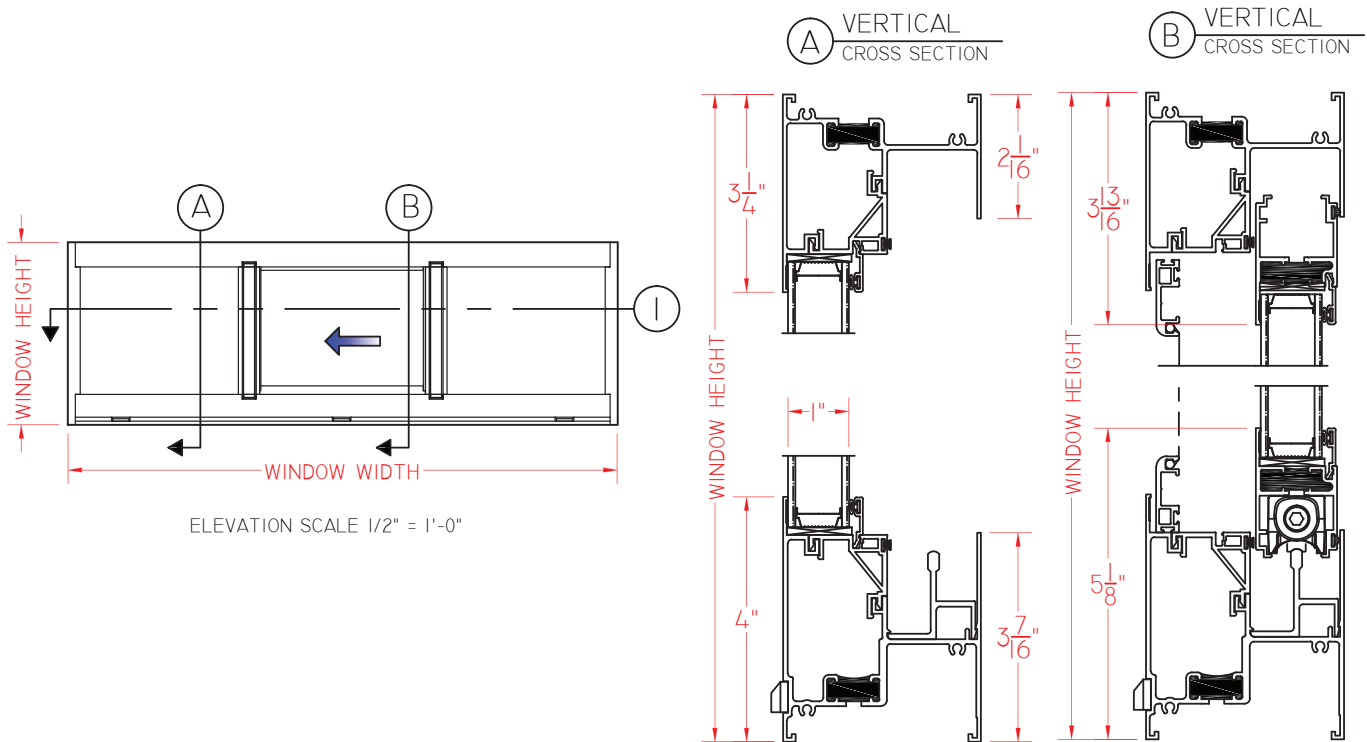
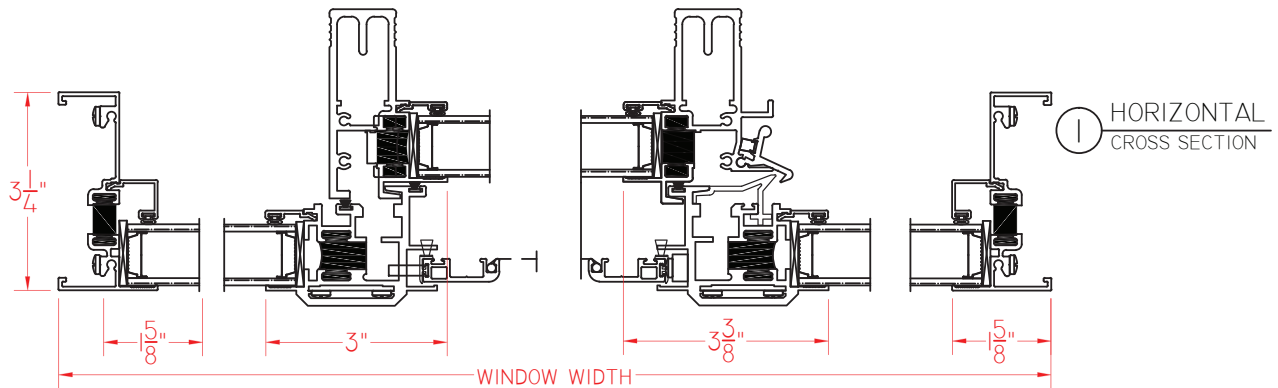




# E500 Series 3 1/4" Frame Depth Horizontal Slider

## E500 CENTER VENT SLIDER WITHOUT NAILING FIN

This document contains confidential and proprietary information intended for the private use of Quaker.  
© 2016 Quaker Window Products Co., INC. All rights reserved.  
Quaker reserves the right to change any/all designs without notice. Due to periodic re-certification requirements, result shown may vary.



SCALE 1:3

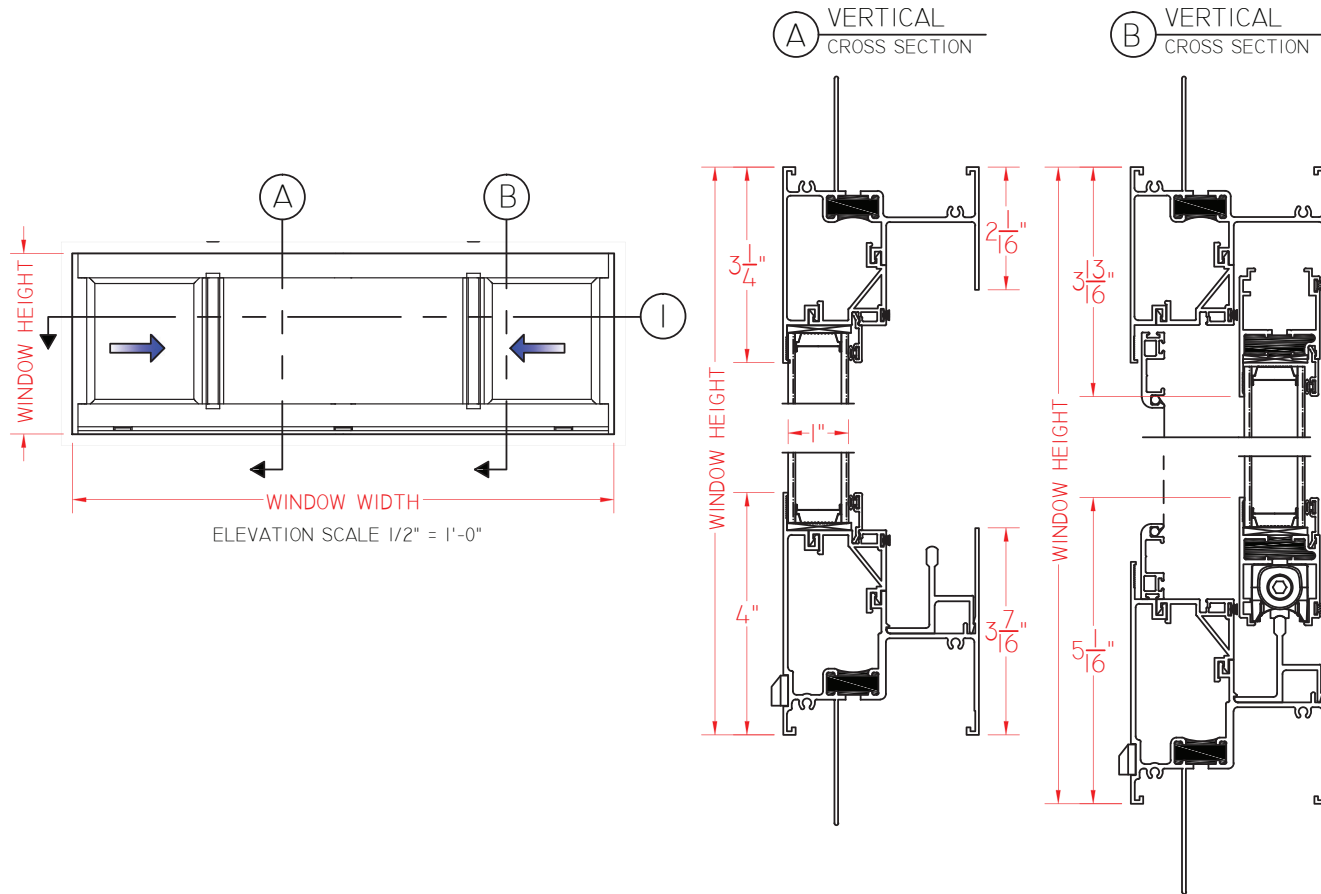
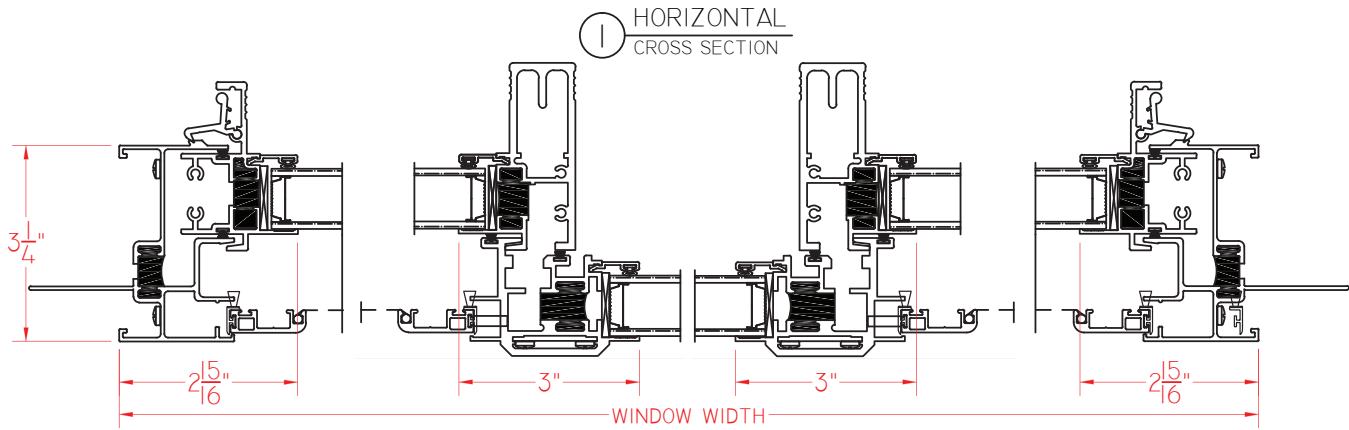
Our products are tested to the standards of and certified by some of the foremost organizations in the fenestration industry.





**E500 END VENT SLIDER WITH NAILING FIN**

This document contains confidential and proprietary information intended for the private use of Quaker.  
© 2016 Quaker Window Products Co., INC. All rights reserved.  
Quaker reserves the right to change any/all designs without notice. Due to periodic re-certification requirements, result shown may vary.



SCALE 1:3

Our products are tested to the standards of and certified by some of the foremost organizations in the fenestration industry.

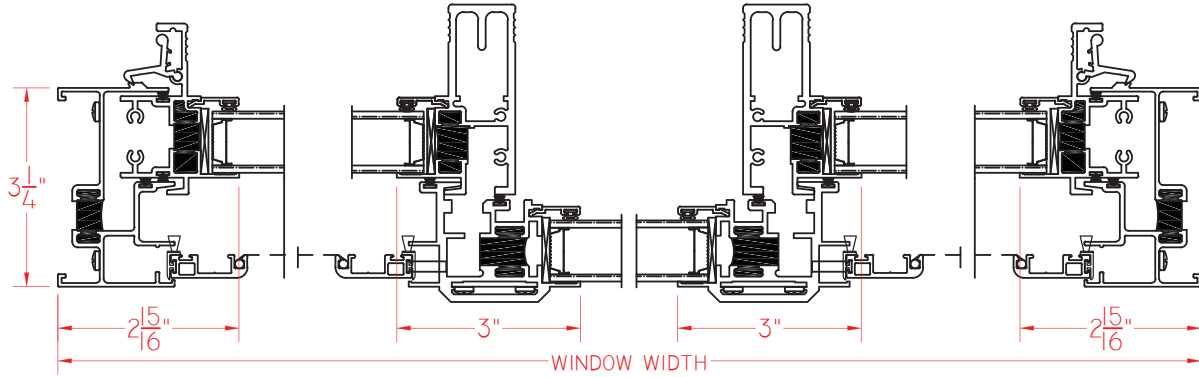




# E500 END VENT SLIDER WITHOUT NAILING FIN

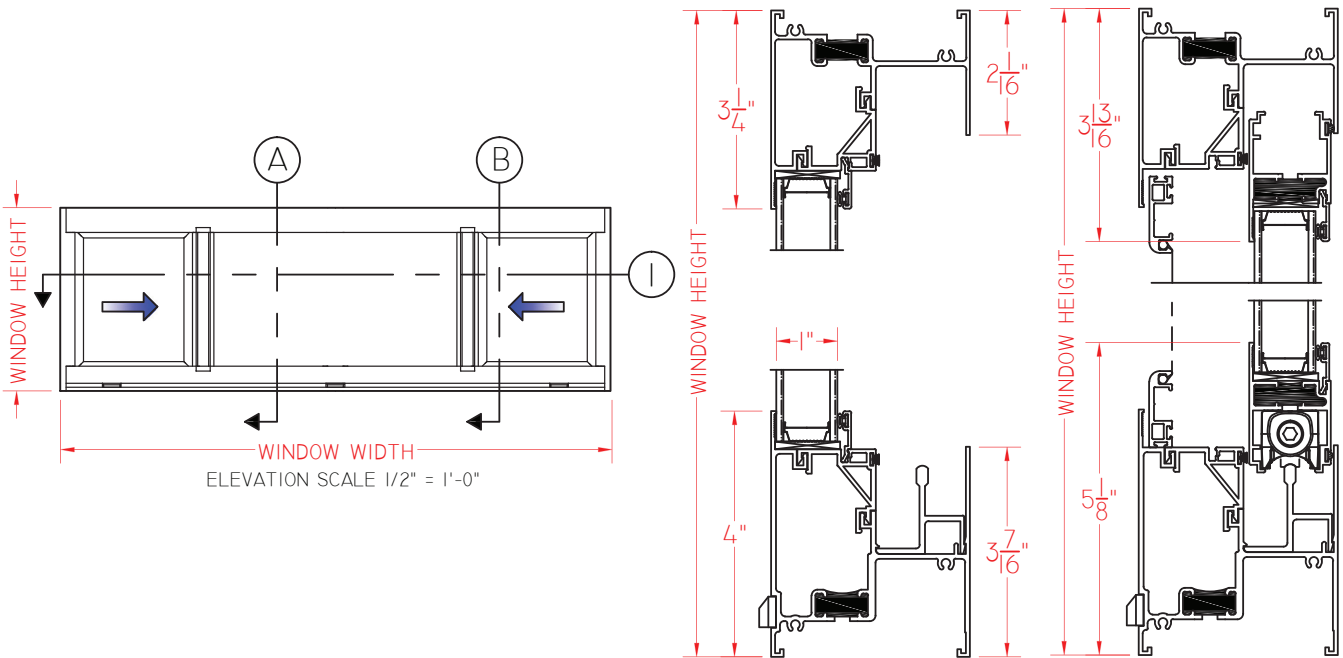
This document contains confidential and proprietary information intended for the private use of Quaker.  
© 2016 Quaker Window Products Co., INC. All rights reserved.  
Quaker reserves the right to change any/all designs without notice. Due to periodic re-certification requirements, result shown may vary.

① HORIZONTAL  
CROSS SECTION



Ⓐ VERTICAL  
CROSS SECTION

Ⓑ VERTICAL  
CROSS SECTION



SCALE 1:3

Our products are tested to the standards of and certified by some of the foremost organizations in the fenestration industry.

