



W700/W705 Series 5 7/8" Overall Frame Depth Fixed (Picture Window)

W700/W705 SERIES FIXED (PICTURE WINDOW)

FEATURES

- ◇ **Framing System**
 - Patented OptiCore Technology
 - Architectural grade aluminum exterior
 - Dual Euro-Groove frame system
 - 5 7/8" Overall Frame Depth (4 9/16" from fin to interior)
- ◇ **Enhanced Design**
 - Azo-Core Thermal Barrier System for reduced thermal-conductivity and increased energy-efficiency
 - Pine wood interior
 - Modern, squared frame glazing (W700 Series) or Traditional/Historic beveled frame glazing (W705 Series)
 - 1 5/8" narrow sitelines
 - With or without Integral Nailing Fin
- ◇ **Glazing**
 - Impact-rated glazing package
 - Dual-sealed Warm Edge Super Spacer system

OPTIONS

- ◇ **Available Configurations**
 - Fixed
- ◇ **Muntin Choices**
 - Internal or simulated divided lites available
- ◇ **Glazing**
 - Multiple Low-E and argon glazing choices
 - Capillary tubes
 - Wide variety of tinting and pane thickness options
- ◇ **Panning & Trim Choices**
 - Wide variety of panning, receptor and trim available

BENEFITS

- ◇ Meets ASTM 1886 (Large Missile Impact testing)
- ◇ Capacity to match exterior colors for unique project facades
- ◇ Maximum sizing affords the facilitation of large sizes for taller and wider window openings
- ◇ Dynamic thermal performance for a wood clad window

PERFORMANCE

- ◇ Structural & Thermal (test reports available upon request)

Model	Fixed (Picture Window)
NAFS Rating	AW-PG80-F
Test Size	72" x 120"
Design Pressure (P.S.F.)	120.30
Air Infiltration at 25 MPH (cfm/ft ²)	<0.10
Water Resistance (P.S.F.)	12.11
CR (Condensation Resistance)	
U-Value (ranges based on multiple Low-E/Argon combinations)	
SHGC (ranges based on multiple Low-E/Argon combinations)	
OITC/STC	
Missile Level	
Wind Zone	

CR, U-Value and SHGC values shown are a range based on Quaker's most popular glass package options in all-window testing (not center-of-glass testing). Test results were achieved with no grids. The addition of optional grids may cause the results to vary slightly. Other available glass options may result in scores outside of the range shown.

OITC/STC ranges are based on the use of multiple glass pane thicknesses.

Our products are tested to the standards of and certified by some of the foremost organizations in the fenestration industry.



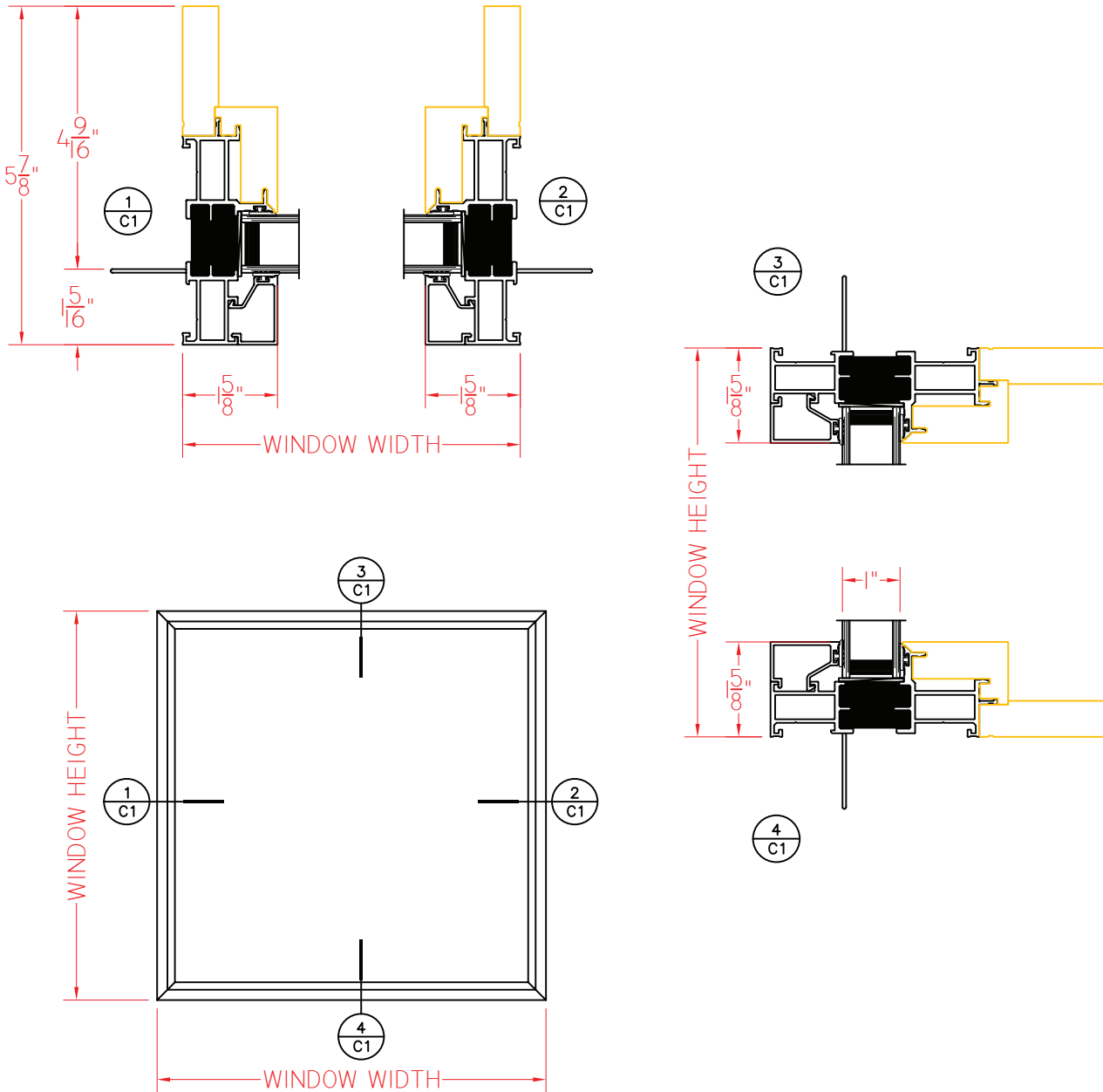


W700 Series 5 7/8" Overall Frame Depth Fixed (Picture Window)

W700 SERIES FIXED (PICTURE WINDOW)

Shown With Nailing Fins
and Squared-Off Exterior

This document contains confidential and proprietary information intended for the private use of Quaker.
© 2019 Quaker Window Products Co., INC. All rights reserved.
Quaker reserves the right to change any/all designs without notice. Due to periodic re-certification requirements, result shown may vary.



ELEVATION SCALE 3/4" = 1'-0"

Our products are tested to the standards of and certified by some of the foremost organizations in the fenestration industry.



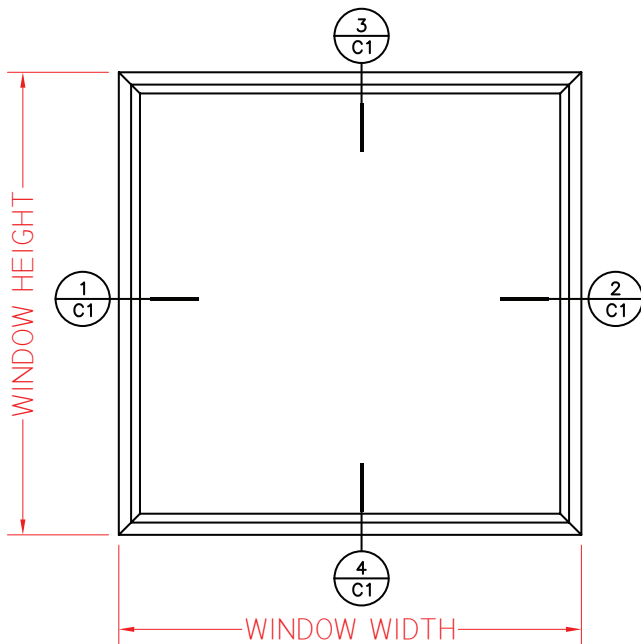
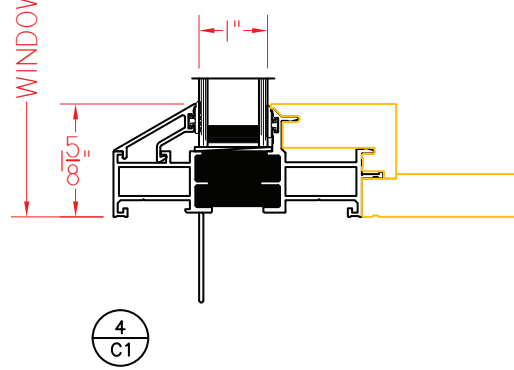
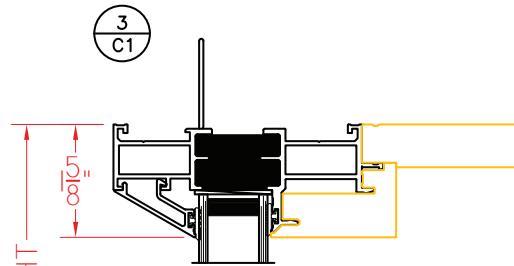
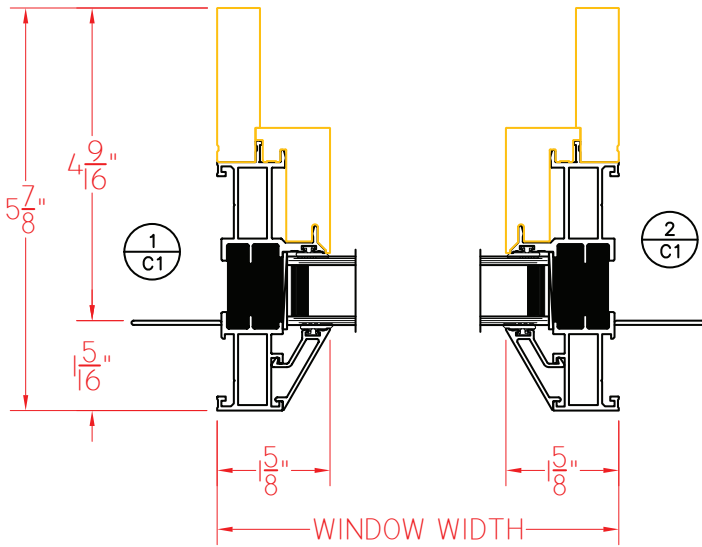


W705 Series 5 7/8" Overall Frame Depth Fixed (Picture Window)

W705 SERIES FIXED (PICTURE WINDOW)

Shown With Nailing Fins
and Bevel Exterior

This document contains confidential and proprietary information intended for the private use of Quaker.
© 2019 Quaker Window Products Co., INC. All rights reserved.
Quaker reserves the right to change any/all designs without notice. Due to periodic re-certification requirements, result shown may vary.



ELEVATION SCALE 3/4" = 1'-0"

SCALE 1:3

Our products are tested to the standards of and certified by some of the foremost organizations in the fenestration industry.

