

# H650/H655 Series 4 1/8" Frame Depth Single Hung

## H650/H655 SERIES SINGLE HUNG

### FEATURES

- ◇ Commercial Framing System
  - 4 1/8" main frame
  - 0.062" wall thickness of interior and exterior walls
  - Nail flange main frame (H655) or no nail flange (H650)
- ◇ Thermally Enhanced Design
  - Azon pour and debridge thermal break in main frame.
  - AzoCore expandable polyurethane barriers in sash rail extrusions
- ◇ Glazing
  - 1" insulated glass
- ◇ Hardware
  - Gravity Latch
  - Heavy duty Class 5 Balancers
- ◇ Screen
  - Extruded aluminum screen frame

### BENEFITS

- ◇ The capacity to match exterior colors for unique project facades
- ◇ The ability to facilitate large sizes for taller and wider window openings
- ◇ Historically accurate panning and trim styles to help your project meet Historic Preservation codes

### PERFORMANCE

- ◇ Structural & Thermal (test reports and thermal simulations available upon request)

Model	Single Hung
Test Size	60" x 99"
NAFS Rating (standard)	AW-PG60-H
NAFS Rating (Heavy Duty Meeting Rail)	AW-PG75-H
Air at 6.2 PSF Differential	<0.30
Water (No Penetration) P.S.F.	12.00
U-Value (ranges based on multiple Low-E/Argon combinations)	as low as 0.30
SHGC (ranges based on multiple Low-E/Argon combinations)	

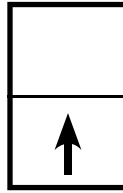
Operating Force: 25.3 lbf (maintain motion), 14 lbf (latches)

### OPTIONS

- ◇ Available Configurations
  - Single Hung
  - Oriel Single Hung
  - Simulated Single Hung/Fixed
  - Arch Head Single Hung
- ◇ Muntin Choices
  - Internal or simulated divided lites available
- ◇ Limited travel hardware
- ◇ Screen
  - Extruded aluminum half screen frame with aluminum wire mesh
  - Extruded aluminum screen frame with sunscreen mesh
  - Extruded aluminum screen frame with stainless steel 0.009" thickness mesh
  - Security screen
- ◇ Glazing
  - Multiple Low-E and argon glazing choices
  - Capillary tubes
  - Wide variety of glazing, tinting and thickness options
- ◇ Panning & Trim Choices
  - Wide variety of panning, receptor and trim available
- ◇ Mulling
  - Wide variety of structural mulls
- ◇ Specialty
  - Extension jambs
  - Ogee lugs
  - WOCD hardware

Our products are tested to the standards of and certified by some of the foremost organizations in the fenestration industry.

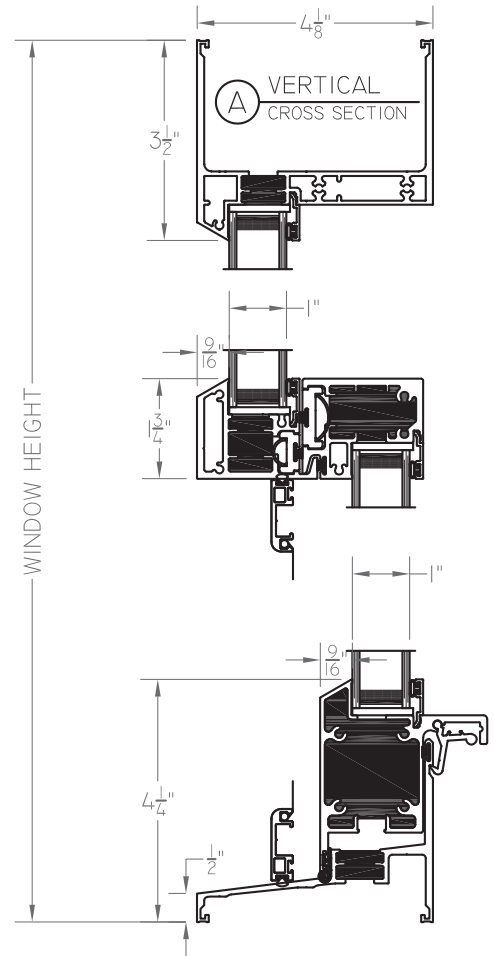
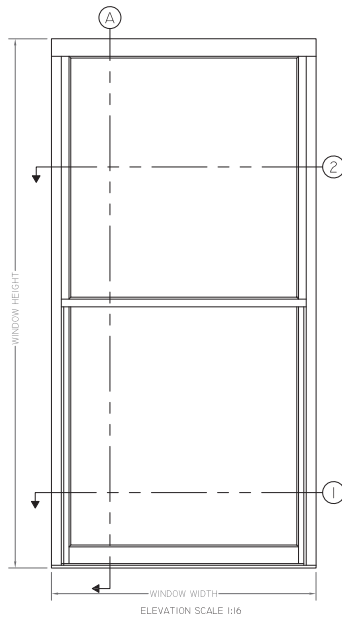
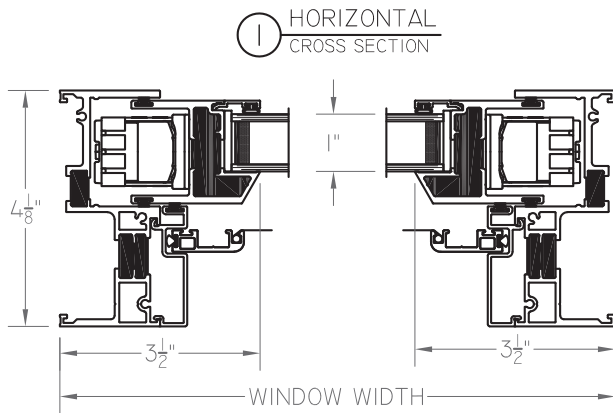
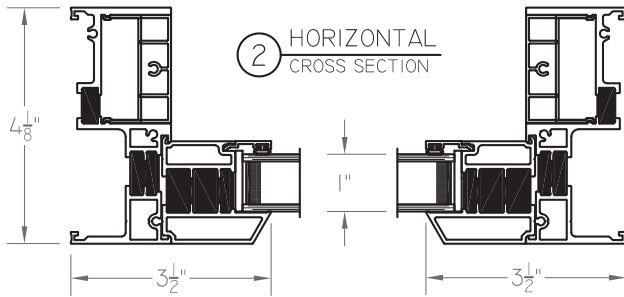




# H650 Series 4 1/8" Frame Depth Single Hung

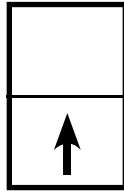
## H650 SERIES SINGLE HUNG

This document contains confidential and proprietary information intended for the private use of Quaker.  
© 2021 Quaker Window Products Co., Inc. All rights reserved.  
Certain aspects of the products, designs, or methods shown may be subject to patent rights or pending patent applications. For more information, see <https://quakerwindows.com/patents/>  
Quaker reserves the right to change any/all designs without notice. Due to periodic re-certification requirements, result shown may vary.



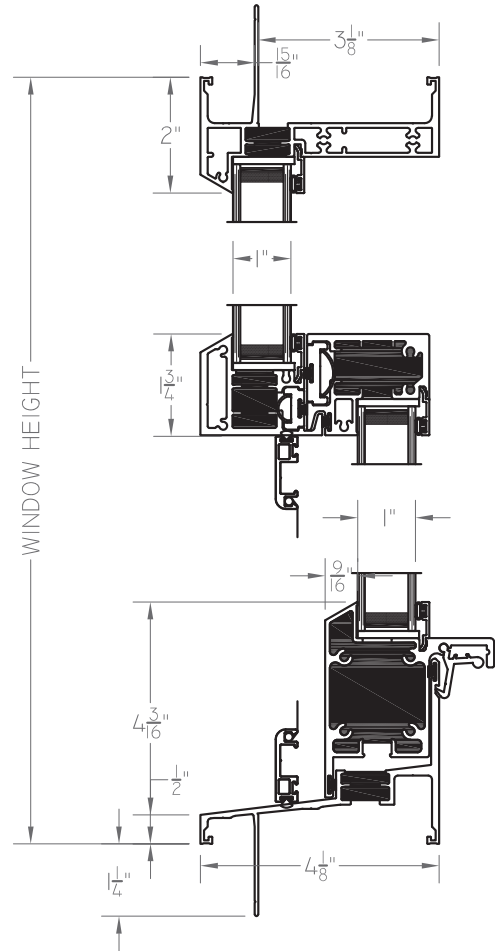
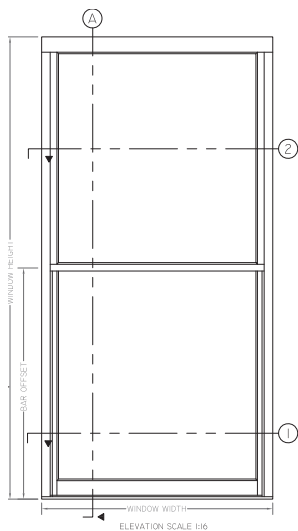
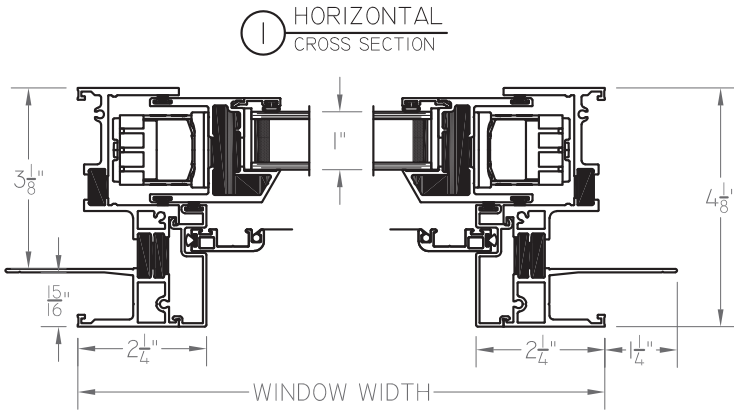
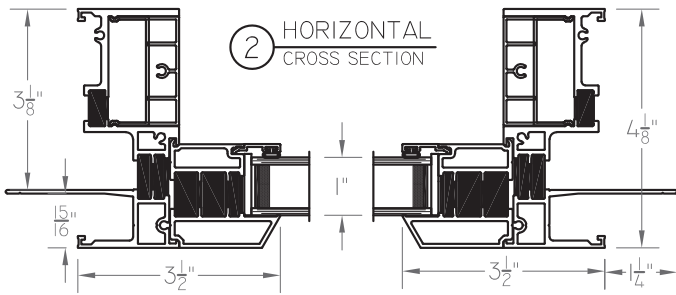
Our products are tested to the standards of and certified by some of the foremost organizations in the fenestration industry.





# H655 SERIES SINGLE HUNG

This document contains confidential and proprietary information intended for the private use of Quaker.  
© 2021 Quaker Window Products Co., Inc. All rights reserved.  
Certain aspects of the products, designs, or methods shown may be subject to patent rights or pending patent applications. For more information, see <https://quakerwindows.com/patents/>  
Quaker reserves the right to change any/all designs without notice. Due to periodic re-certification requirements, result shown may vary.

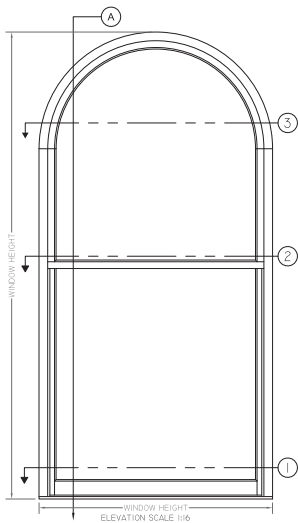
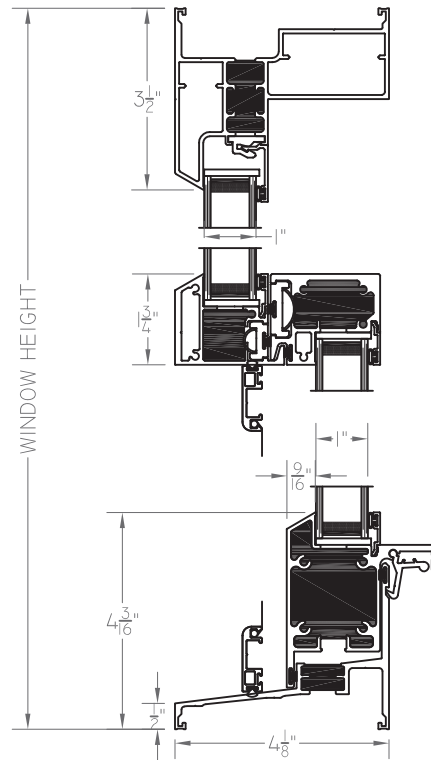
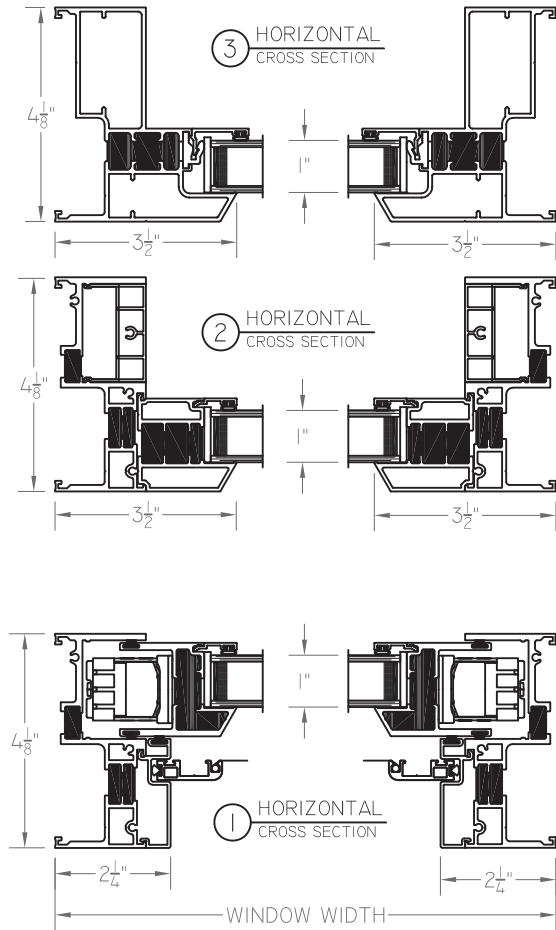


Our products are tested to the standards of and certified by some of the foremost organizations in the fenestration industry.



# H650 SERIES ARCH HEAD SINGLE HUNG

This document contains confidential and proprietary information intended for the private use of Quaker.  
© 2021 Quaker Window Products Co., Inc. All rights reserved.  
Certain aspects of the products, designs, or methods shown may be subject to patent rights or pending patent applications. For more information, see <https://quakerwindows.com/patents/>  
Quaker reserves the right to change any/all designs without notice. Due to periodic re-certification requirements, result shown may vary.



SCALE 1:4

Our products are tested to the standards of and certified by some of the foremost organizations in the fenestration industry.



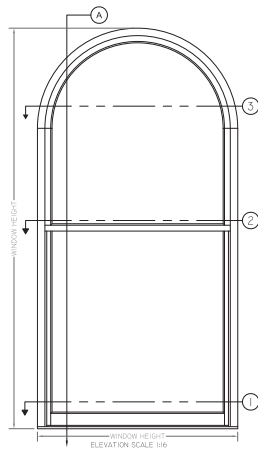
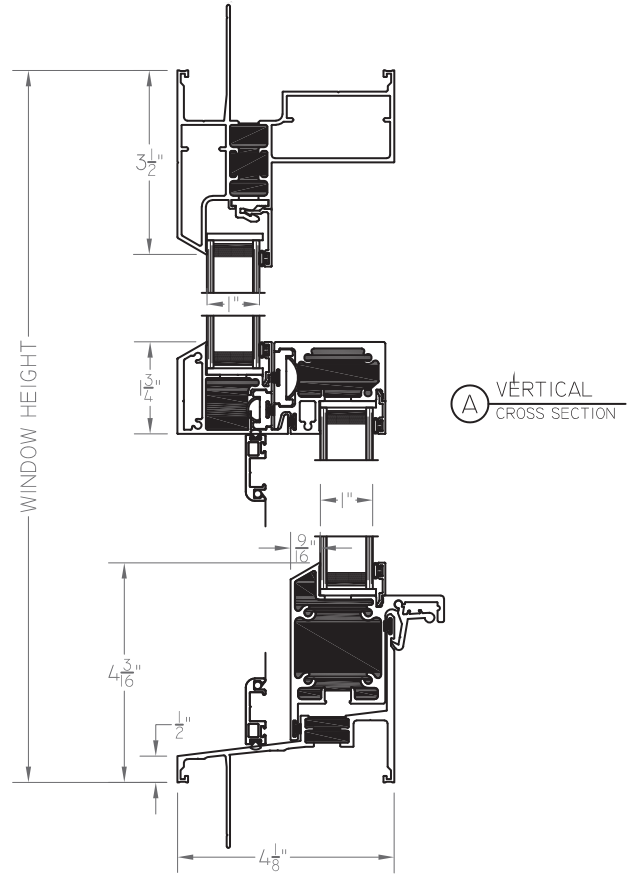
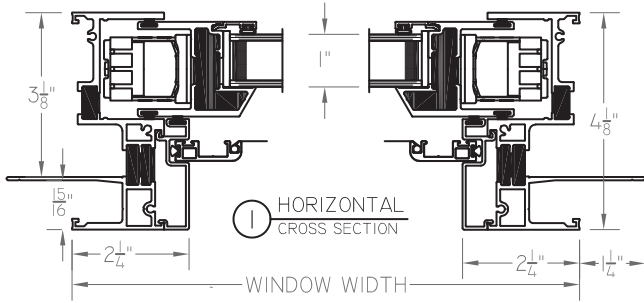
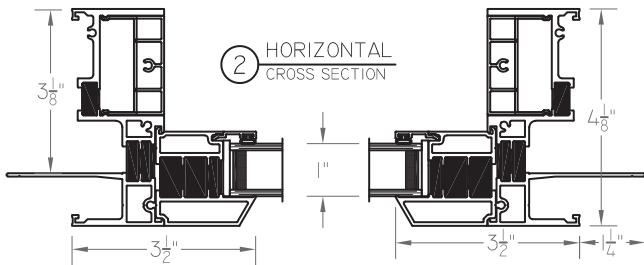
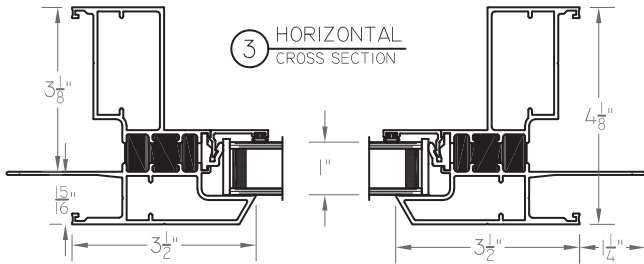


**QUAKER**  
COMMERCIAL

# H655 Series 4 1/8" Frame Depth Arch Head Single Hung

## H655 SERIES ARCH HEAD SINGLE HUNG

This document contains confidential and proprietary information intended for the private use of Quaker.  
© 2021 Quaker Window Products Co., Inc. All rights reserved.  
Certain aspects of the products, designs, or methods shown may be subject to patent rights or pending patent applications. For more information, see <https://quakerwindows.com/patents/>  
Quaker reserves the right to change any/all designs without notice. Due to periodic re-certification requirements, result shown may vary.



Our products are tested to the standards of and certified by some of the foremost organizations in the fenestration industry.

