



# C700/C705 Series 4 1/8" Frame Depth Fixed

## C700/C705 SERIES FIXED

### FEATURES

- ◇ **Framing System**
  - Patented OptiCore Technology
  - 4 1/8" architectural grade aluminum frame
  - Dual Euro-Groove frame system
- ◇ **Enhanced Design**
  - Azo-Core Thermal Barrier System for reduced thermal-conductivity and increased energy-efficiency
  - Modern, squared frame glazing (C700 Series) or Traditional/Historic beveled frame glazing (C705 Series)
  - 1 5/8" narrow sitalines
  - With or without Integral Nailing Fin
- ◇ **Glazing**
  - Impact-rated glazing package
  - Dual-sealed Warm Edge Super Spacer system

### OPTIONS

- ◇ **Available Configurations**
  - Fixed
  - Wire frame capabilities
- ◇ **Enhanced Design**
  - If using wire-frame set-up with an operating unit as part of the design, 2 7/8" casement framing will be used
- ◇ **Muntin Choices**
  - Internal or simulated divided lites available
- ◇ **Glazing**
  - Multiple Low-E and argon glazing choices
  - Glazing pocket can accept up to 1 3/8" insulated glass for sound attenuation purposes
  - Triple glazing
  - Capillary tubes
  - Wide variety of tinting and pane thickness options
- ◇ **Panning & Trim Choices**
  - Wide variety of panning, receptor and trim available

### BENEFITS

- ◇ Capacity to match exterior colors for unique project facades
- ◇ Two-tone capabilities with a color to match the building interior and another to match the exterior
- ◇ Maximum sizing affords the facilitation of large sizes for taller and wider window openings
- ◇ Thermal performances never thought achievable in aluminum windows

### PERFORMANCE

- ◇ Structural & Thermal (test reports available upon request)

Model	Picture Window (Fixed)
NAFS Rating	AW-PG70-F
Test Size	60" x 96"
Air Infiltration at 25 MPH (cfm/ft <sup>2</sup> )	<0.10
Water Resistance (P.S.F.)	12.11
CR (Condensation Resistance)	Contact Quaker
U-Value (ranges based on multiple Low-E/Argon combinations)	Contact Quaker
SHGC (ranges based on multiple Low-E/Argon combinations)	Contact Quaker
OITC/STC	Contact Quaker
Missile Level	D
Wind Zone	3

CR, U-Value and SHGC values shown are a range based on Quaker's most popular glass package options in all-window testing (not center-of-glass testing). Test results were achieved with no grids. The addition of optional grids may cause the results to vary slightly. Other available glass options may result in scores outside of the range shown.

OITC/STC ranges are based on the use of multiple glass pane thicknesses.

Our products are tested to the standards of and certified by some of the foremost organizations in the fenestration industry.



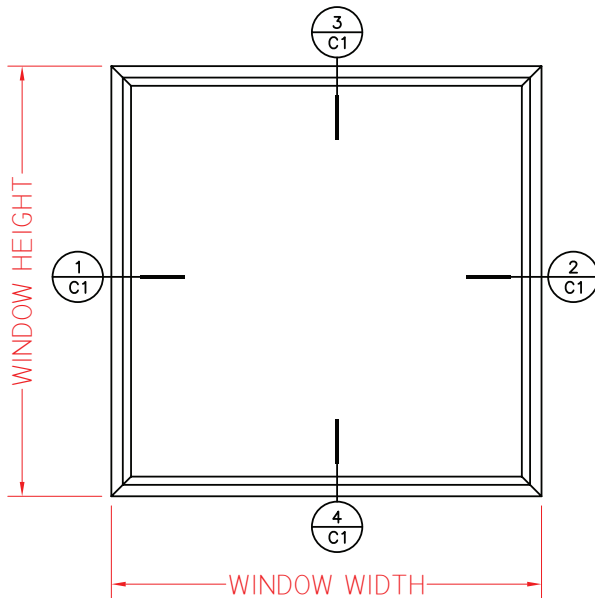
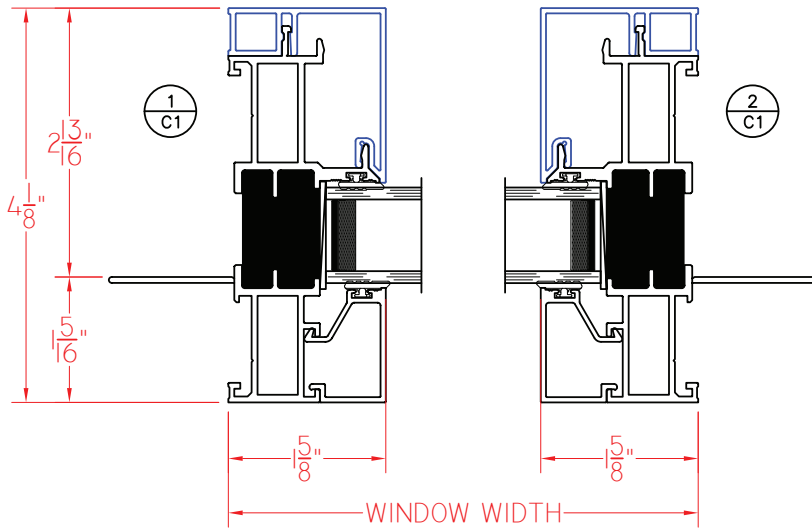


# C700/C705 Series 4 1/8" Frame Depth Fixed

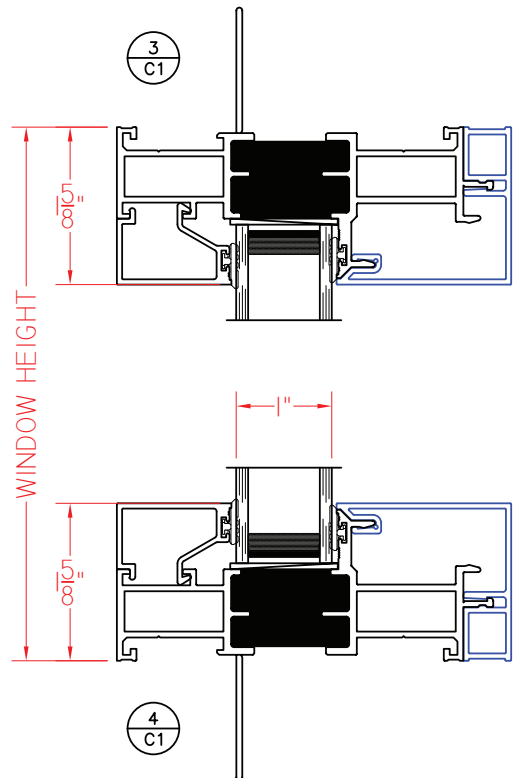
## C700/C705 SERIES FIXED

Shown With Nailing Fins  
and Squared-Off Exterior

This document contains confidential and proprietary information intended for the private use of Quaker.  
© 2019 Quaker Window Products Co., INC. All rights reserved.  
Quaker reserves the right to change any/all designs without notice. Due to periodic re-certification requirements, result shown may vary.



ELEVATION SCALE 3/4" = 1'-0"



Our products are tested to the standards of and certified by some of the foremost organizations in the fenestration industry.



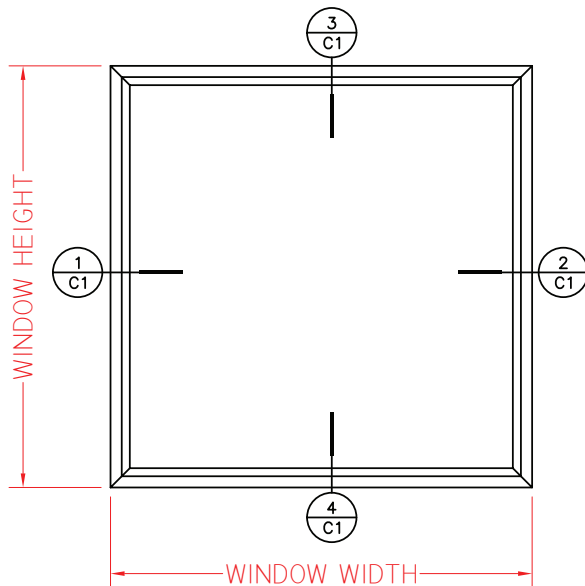
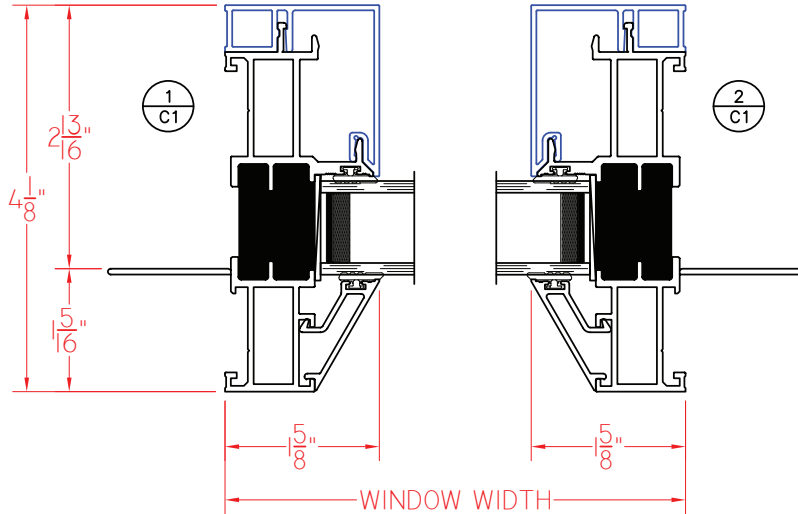


# C700/C705 Series 4 1/8" Frame Depth Picture Window (Fixed)

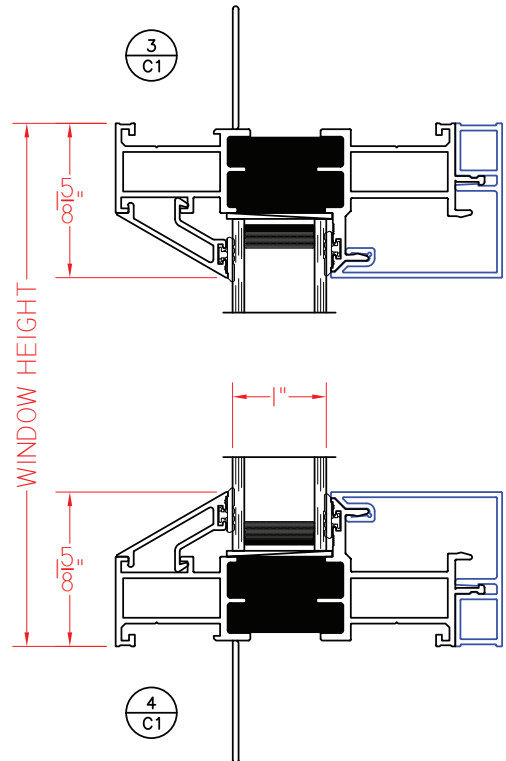
## C700/C705 SERIES FIXED

Shown With Nailing Fins  
and Bevel Exterior

This document contains confidential and proprietary information intended for the private use of Quaker.  
© 2019 Quaker Window Products Co., INC. All rights reserved.  
Quaker reserves the right to change any/all designs without notice. Due to periodic re-certification requirements, result shown may vary.



ELEVATION SCALE 3/4" = 1'-0"



Our products are tested to the standards of and certified by some of the foremost organizations in the fenestration industry.

