



E300/E350/E500 Series 3 1/4" Frame Depth Picture Window (Fixed)

E300/E350/E500 SERIES PICTURE WINDOW (FIXED)

FEATURES

- ◇ Commercial Framing System
 - 3 1/4" main frame
 - 0.062" wall thickness of frame
 - Frame and sill mortised and joined with screw fasteners
- ◇ Enhanced Design
 - Azon pour and debridge thermal break is 1/2" wide in all main frame and vent rail extrusions
- ◇ Glazing
 - 1" insulated glass

BENEFITS

- ◇ The capacity to match exterior colors for unique project facades
- ◇ The ability to facilitate large sizes for taller and wider window openings

OPTIONS

- ◇ Available Configurations
 - Picture window
 - Geometric shapes
- ◇ Muntin Choices
 - Internal or simulated divided lites available
- ◇ Nailing Fin
- ◇ Glazing
 - Multiple Low-E and argon glazing choices
 - Capillary tubes
 - Wide variety of glazing, tinting and thickness options
- ◇ Panning & Trim Choices
 - Wide variety of panning, receptor and trim available
- ◇ Mulling
 - Wide variety of structural mulls

PERFORMANCE

- ◇ Structural & Thermal (test reports or thermal simulations available upon request)

| Model | Picture Window (Fixed) |
|-------------------------------------------------------------|------------------------|
| Test Size | 60" x 99" |
| NAFS Rating | AW-PG50 |
| Structural Load P.S.F. | 75.19 |
| Air Infiltration | <0.10 |
| Water (No Penetration) P.S.F. | 10.00 |
| U-Value (ranges based on multiple Low-E/Argon combinations) | 0.25-0.32 |
| SHGC (ranges based on multiple Low-E/Argon combinations) | 0.16-0.57 |

| Model | Picture Window (Fixed) |
|-------------------------------------------------------------|------------------------|
| Test Size | 60" x 60" |
| NAFS Rating | CW-70 |
| Structural Load P.S.F. | 105.26 |
| Air Infiltration | <0.30 |
| Water (No Penetration) P.S.F. | 12.11 |
| U-Value (ranges based on multiple Low-E/Argon combinations) | 0.25-0.32 |
| SHGC (ranges based on multiple Low-E/Argon combinations) | 0.16-0.57 |



Our products are tested to the standards of and certified by some of the foremost organizations in the fenestration industry.

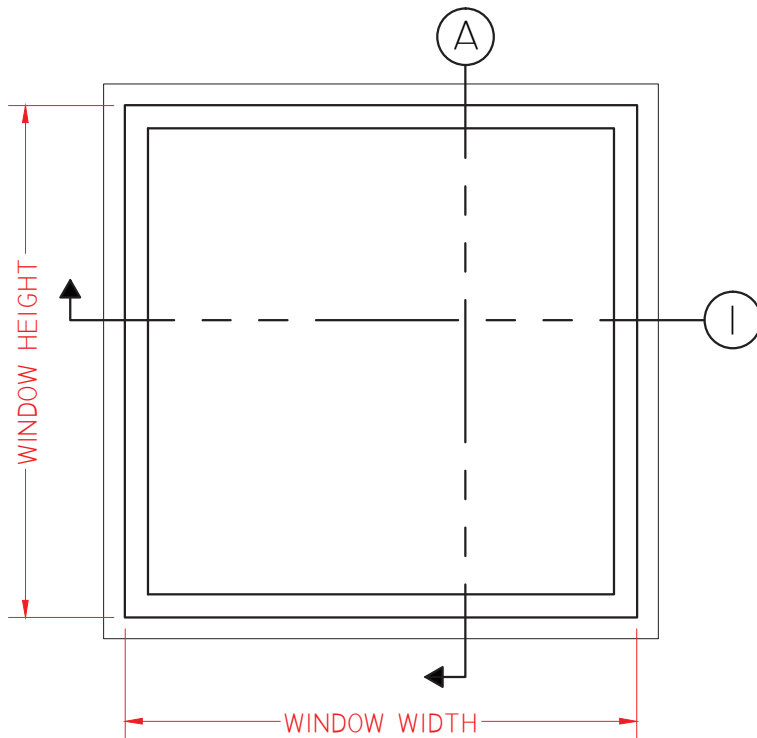
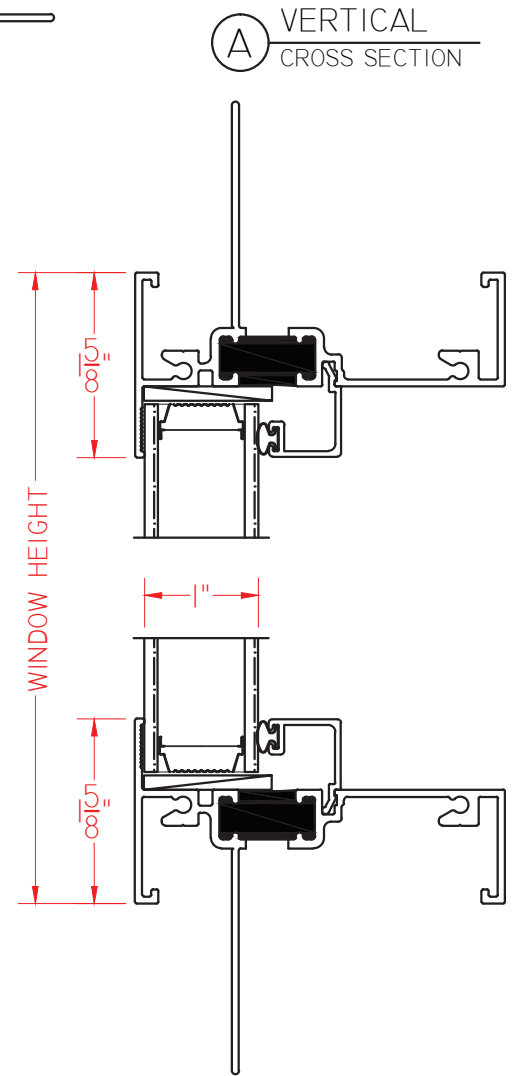
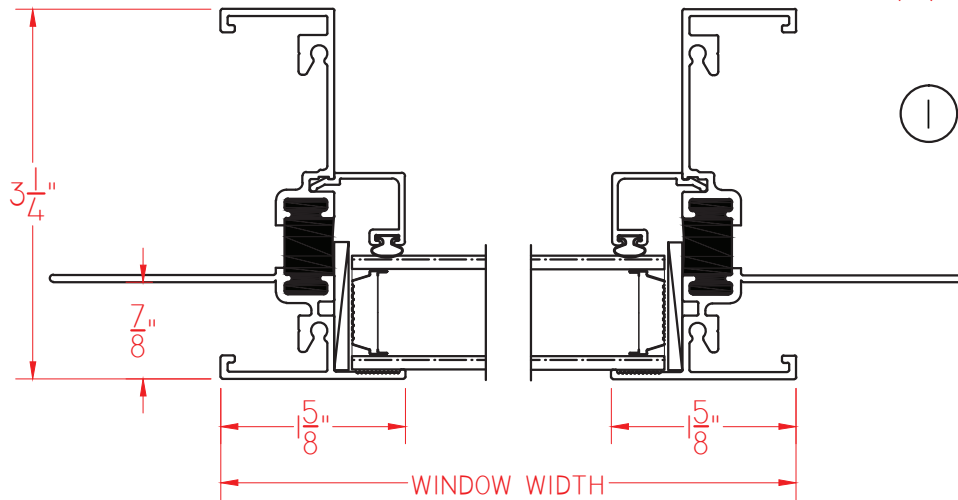




**E300/E350/E500 Series
3 1/4" Frame Depth
Picture Window (Fixed)**

E300/E350/E500 PICTURE WINDOW WITH NAILING FIN

This document contains confidential and proprietary information intended for the private use of Quaker.
© 2016 Quaker Window Products Co., INC. All rights reserved.
Quaker reserves the right to change any/all designs without notice. Due to periodic re-certification requirements, result shown may vary.

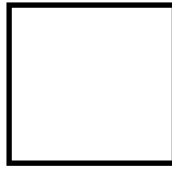


ELEVATION SCALE 3/4" = 1'-0"

SCALE 1:2

Our products are tested to the standards of and certified by some of the foremost organizations in the fenestration industry.

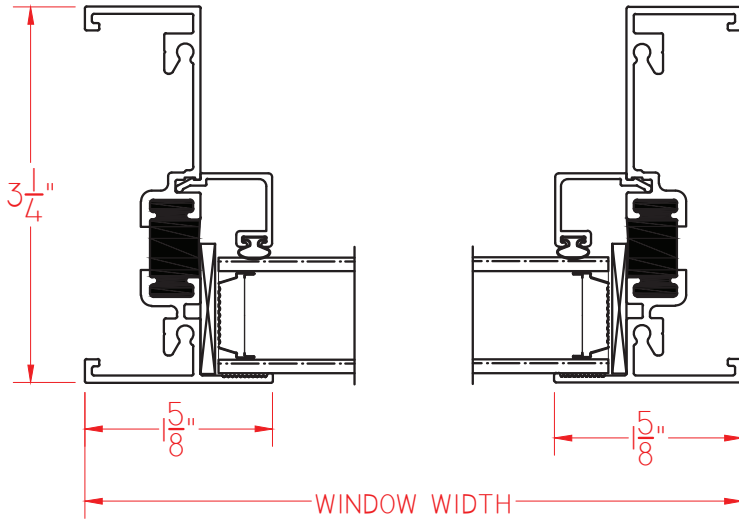




**E300/E350/E500 Series
3 1/4" Frame Depth
Picture Window (Fixed)**

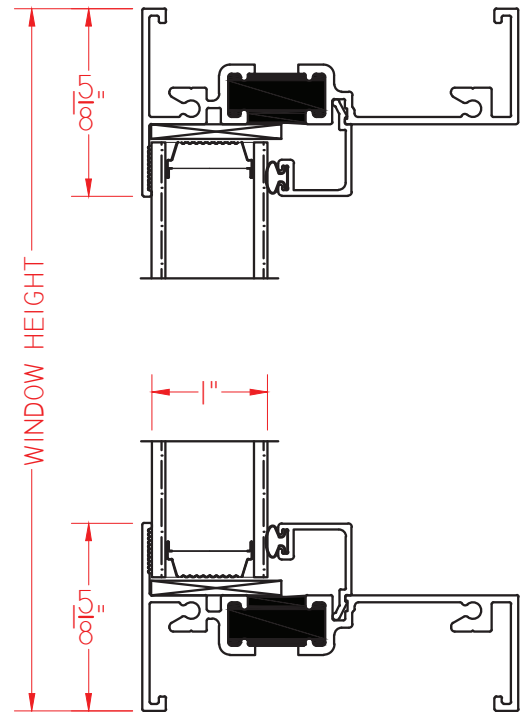
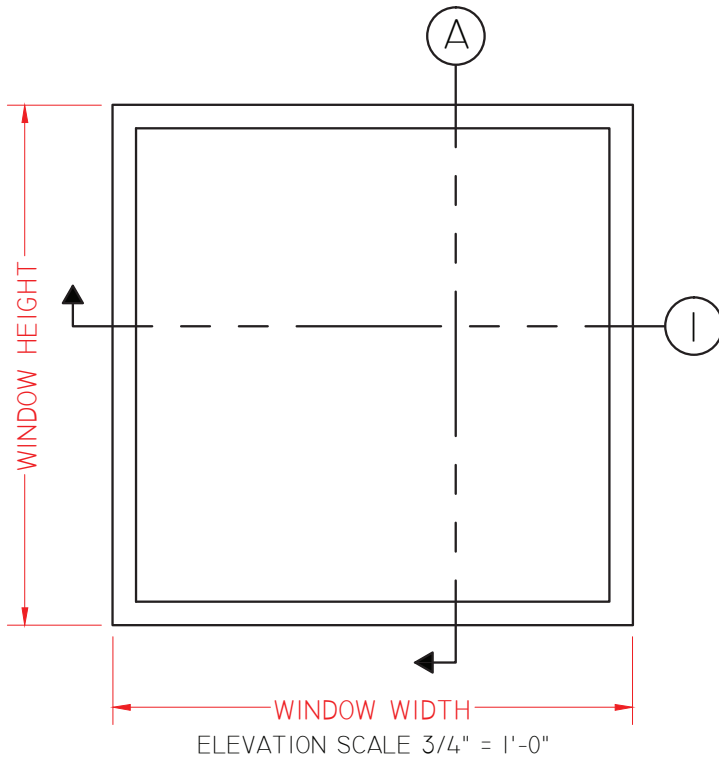
E300/E350/E500 PICTURE WINDOW WITHOUT NAILING FIN

This document contains confidential and proprietary information intended for the private use of Quaker.
© 2016 Quaker Window Products Co., INC. All rights reserved.
Quaker reserves the right to change any/all designs without notice. Due to periodic re-certification requirements, result shown may vary.



① HORIZONTAL CROSS SECTION

Ⓐ VERTICAL CROSS SECTION



SCALE 1:2

Our products are tested to the standards of and certified by some of the foremost organizations in the fenestration industry.

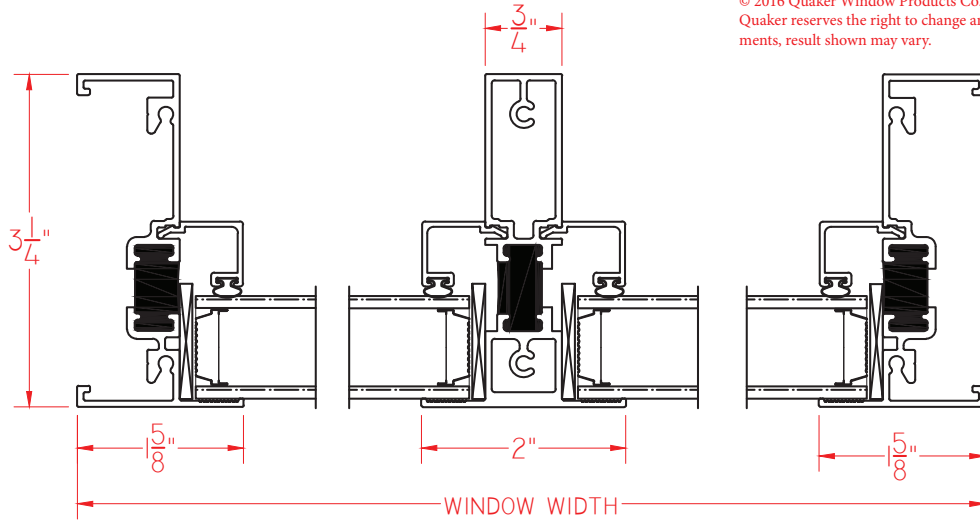




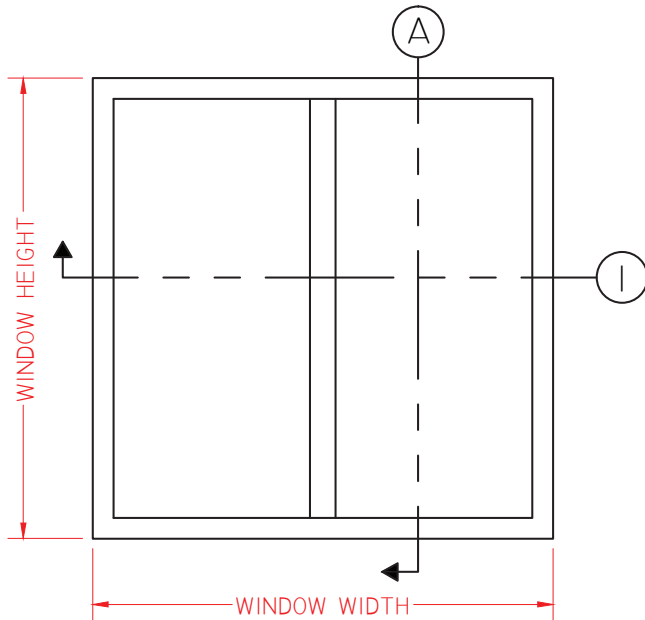
E300/E350/E500 Series
3 1/4" Frame Depth
Picture Window (Fixed)

E300/E350/E500 PICTURE WINDOW WITH M-18867 DOUBLE JAMB (V)

This document contains confidential and proprietary information intended for the private use of Quaker.
© 2016 Quaker Window Products Co., INC. All rights reserved.
Quaker reserves the right to change any/all designs without notice. Due to periodic re-certification requirements, result shown may vary.

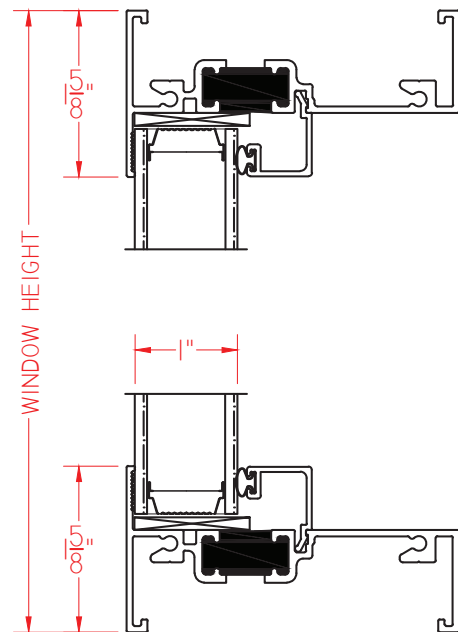


① HORIZONTAL CROSS SECTION



ELEVATION SCALE 3/4" = 1'-0"

② VERTICAL CROSS SECTION



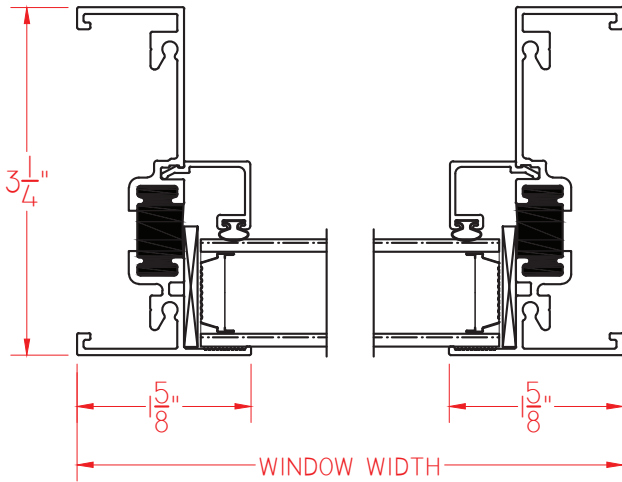
SCALE 1:2



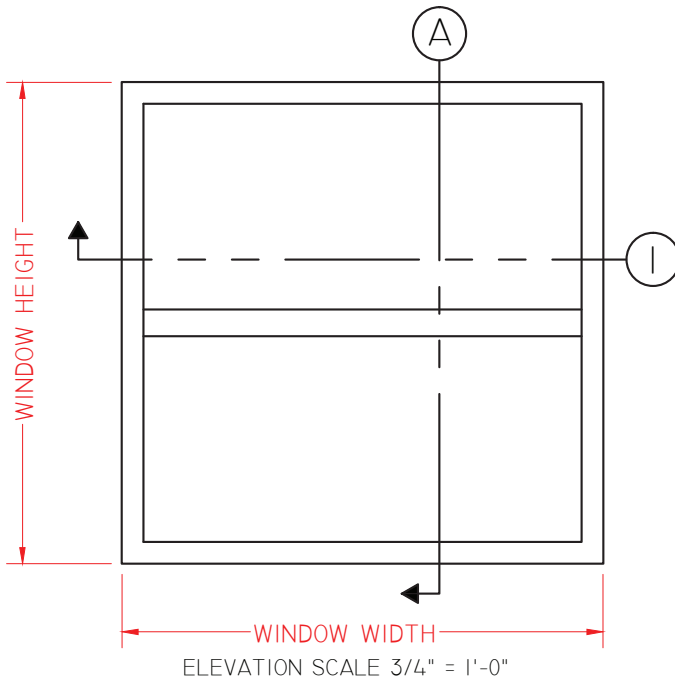
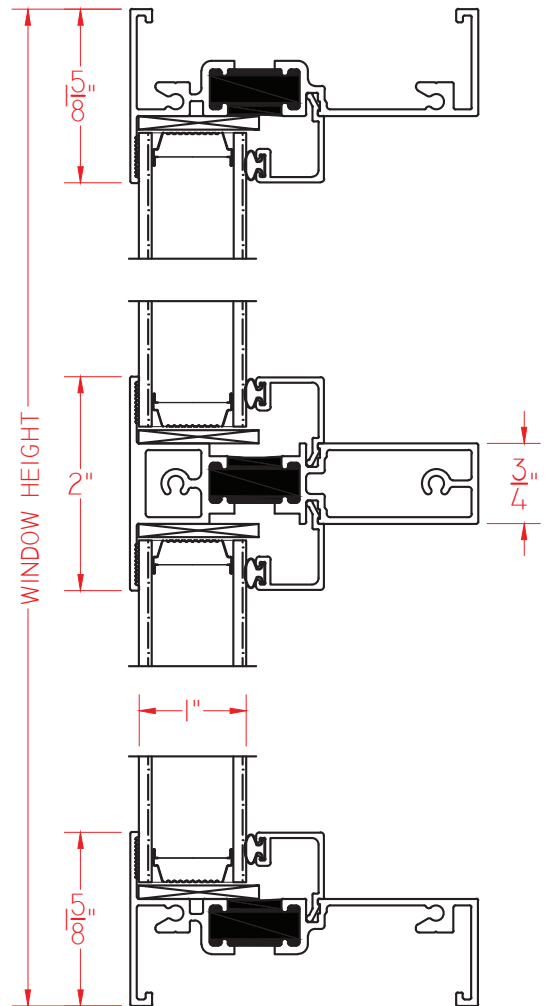
**E300/E350/E500 Series
3 1/4" Frame Depth
Picture Window (Fixed)**

E300/E350/E500 PICTURE WINDOW WITH M-18867 DOUBLE JAMB (H)

This document contains confidential and proprietary information intended for the private use of Quaker.
© 2016 Quaker Window Products Co., INC. All rights reserved.
Quaker reserves the right to change any/all designs without notice. Due to periodic re-certification requirements, result shown may vary.



Ⓐ VERTICAL CROSS SECTION



SCALE 1:2

Our products are tested to the standards of and certified by some of the foremost organizations in the fenestration industry.

