



# K200 Series 2 3/8" Frame Depth Fixed (Picture Window)

## K200 SERIES FIXED (PICTURE WINDOW)

### FEATURES

- ◇ Commercial Framing System
  - 2 3/8" main frame
  - 0.062" wall thickness of frame
- ◇ Enhanced Design
  - Azon pour and debridge thermal break is 1/2" wide in all frame
  - Frame and sash mortised and joined with screw fasteners
- ◇ Glazing
  - 1" insulated glass

### BENEFITS

- ◇ The capacity to match exterior colors for unique project facades
- ◇ The ability to facilitate large sizes for taller and wider window openings

### OPTIONS

- ◇ Available Configurations
  - Fixed
  - Geometric shapes
- ◇ Muntin Choices
  - Internal or simulated divided lites available
- ◇ Nailing Fin
- ◇ Glazing
  - Multiple Low-E and argon glazing choices
  - Capillary tubes
  - Wide variety of glazing, tinting and thickness options
- ◇ Panning & Trim Choices
  - Wide variety of panning, receptor and trim available
- ◇ Mulling
  - Wide variety of structural mulls
- ◇ Specialty
  - Attached exterior or interior storm window
  - Extension jambs
  - Louver

### PERFORMANCE

- ◇ Structural & Thermal (test reports or thermal simulations available upon request)

Model	Picture Window (Fixed)
NAFS Rating	CW50
Structural Load P.S.F.	75
Air Infiltration (cfm/ft <sup>2</sup> )	<0.30
Water (No Penetration) P.S.F.	7.52
U-Value (ranges based on multiple Low-E/Argon combinations)	0.27-0.33
SHGC (ranges based on multiple Low-E/Argon combinations)	0.16-0.57

Window test size: 64" x 71"



Our products are tested to the standards of and certified by some of the foremost organizations in the fenestration industry.

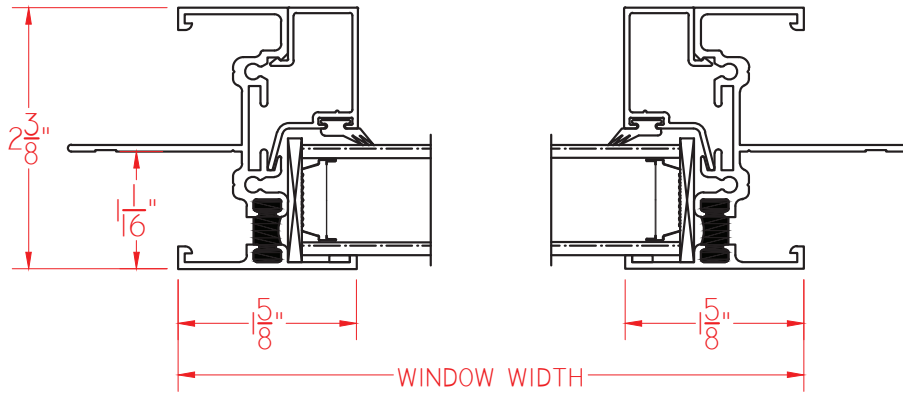




# K200 Series 2 3/8" Frame Depth Fixed (Picture Window)

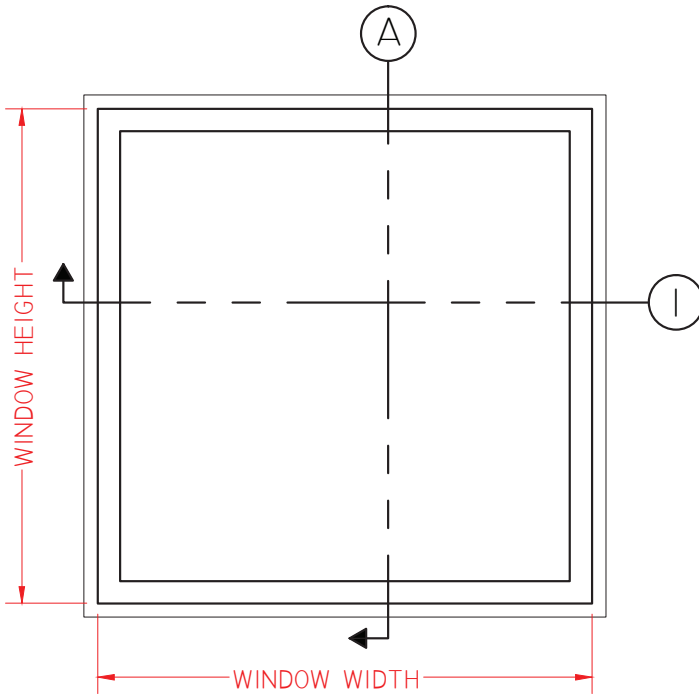
## K200 FIXED WITH NAILING FIN

This document contains confidential and proprietary information intended for the private use of Quaker.  
© 2016 Quaker Window Products Co., INC. All rights reserved.  
Quaker reserves the right to change any/all designs without notice. Due to periodic re-certification requirements, result shown may vary.

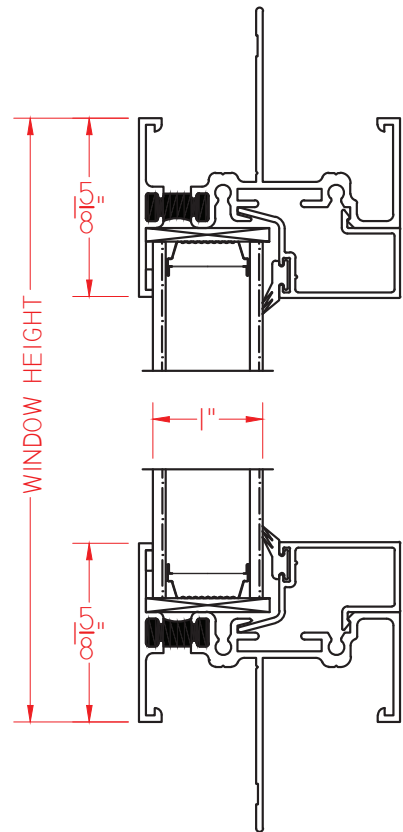


① HORIZONTAL CROSS SECTION

Ⓐ VERTICAL CROSS SECTION



ELEVATION SCALE 3/4" = 1'-0"



SCALE 1:2

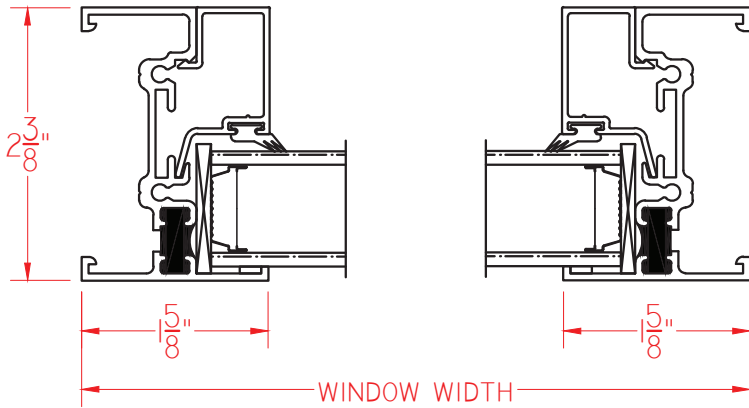
Our products are tested to the standards of and certified by some of the foremost organizations in the fenestration industry.



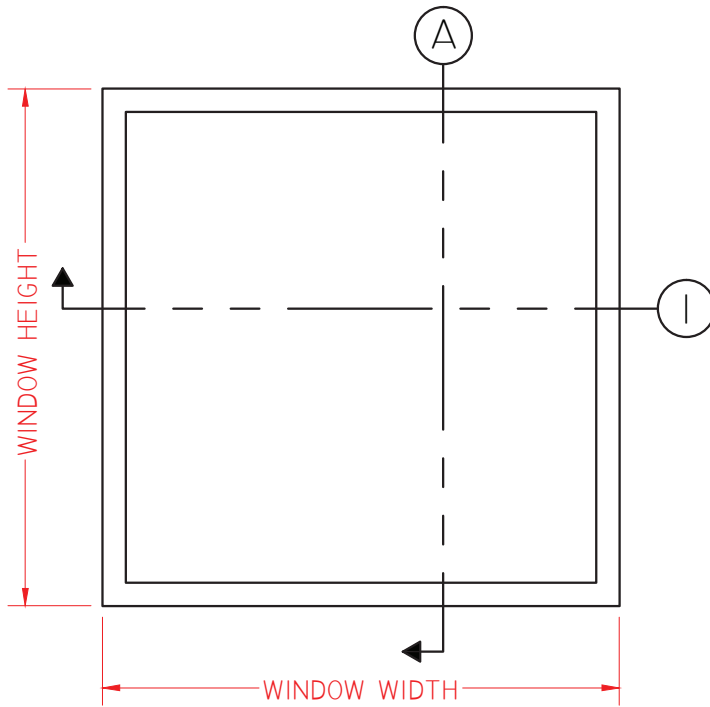


**K200 FIXED WITHOUT NAILING FIN**

This document contains confidential and proprietary information intended for the private use of Quaker.  
 © 2016 Quaker Window Products Co., INC. All rights reserved.  
 Quaker reserves the right to change any/all designs without notice. Due to periodic re-certification requirements, result shown may vary.

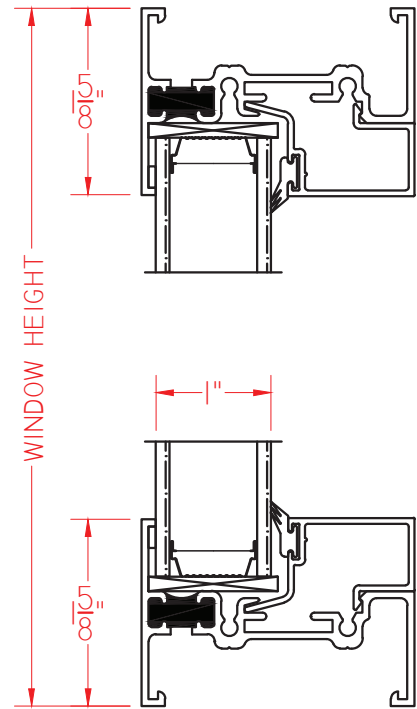


① HORIZONTAL  
 CROSS SECTION



ELEVATION SCALE 3/4" = 1'-0"

Ⓐ VERTICAL  
 CROSS SECTION



SCALE 1:2