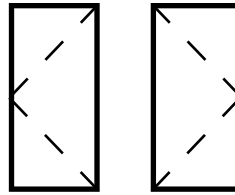




QUAKER
COMMERCIAL WINDOWS AND DOORS



Traditional
SERIES

T600 Series
AW-PG70
3 1/4" Frame Depth
Casement

T600 SERIES CASEMENT

The Quaker Traditional T600 Series Picture window is ideal for a variety of applications including - Institutions, Education, Apartments and Assisted Living.

FEATURES

- ◇ Commercial Framing System
 - 3 1/4" main frame
 - 0.094" wall thickness of interior and exterior walls, 0.078" wall thickness elsewhere
- ◇ Thermally Enhanced Design
 - Azon pour and debridge thermal break is 1/2" wide in all main frame and vent rail extrusions
 - Assembled with heavy duty Monticelli cast aluminum corner keys
 - Mitered and pressure sealed internally with injected silicone through corner key passages. Wrap-around marine glazing
- ◇ Glazing
 - 1" insulated glass
- ◇ Hardware
 - Butt hinges, 4-Bar hinges and Euro hinges available on both project-out and project-in windows
 - Heavy-commercial Truth Contour™ locking system (Crank-out only)
 - Heavy-commercial Truth Contour™ multipoint lock with push handle (no crank hardware)
 - Low profile cam handle (Push-out and Pull-in only)
 - Pole Operated handle (Push-out and Pull-in only)
 - Custodial lock (Pull-in only)
 - Custodial lock with removable handle (Push-out only)
- ◇ Screen
 - Wicket sreet (Push-out only)
 - Extruded aluminum screen frame with BetterVue™ mesh (Crank-out only)
- ◇ Meets ADA Requirements (ADA Handle Required, Crank-out only)

BENEFITS

- ◇ The capacity to match exterior colors for unique project facades
- ◇ The ability to facilitate large sizes for taller and wider window openings

OPTIONS

- ◇ Available Configurations
 - Project-out and Project-in casement
 - Push-out, Crank-out or Pull-in
 - Wire frame capabilities
- ◇ Muntin Choices
 - Internal or simulated divided lites available
- ◇ Limited Travel Hardware
- ◇ Screen
 - Extruded aluminum screen frame with aluminum wire mesh
 - Extruded aluminum screen frame with sunscreen mesh
 - Extruded aluminum screen frame with stainless steel 0.009" thickness mesh
- ◇ Glazing
 - Multiple Low-E and argon glazing choices
 - Capillary tubes
 - Optional glazing stop to accept 1 3/8" (triple) glazing
 - Wide variety of glazing, tinting and thickness options
- ◇ Panning & Trim Choices
 - Wide variety of panning, receptor and trim available
- ◇ Mulling
 - Wide variety of structural mulls

PERFORMANCE

- ◇ Structural & Thermal (test reports or thermal simulations available upon request)

| Model | Casement (Project-Out) | Casement (Project-In) |
|---|------------------------|-----------------------|
| Test Size | 36" x 60" | |
| NAFS Rating | AW-PG70 | |
| Structural Load P.S.F. | 105.26 | |
| Air at 50 MPH (cfm/ft ²) | <0.10 | |
| Water (No Penetration) P.S.F. | 12.11 | |
| U-Value (ranges based on multiple Low-E/Argon combinations) | 0.41-0.45 | 0.42-0.46 |
| SHGC (ranges based on multiple Low-E/Argon combinations) | 0.12-0.41 | 0.12-0.41 |

Operating Force: 9 lbf (project-out casement), 14 lbf (project-in casement), 3 lbf (ADA Handle maintain motion), 3 lbf (ADA Handle lock)

Our products are tested to the standards of and certified by some of the foremost organizations in the fenestration industry.



QUAKER
COMMERCIAL WINDOWS AND DOORS

ARCHITECTURAL PAINT COATINGS AND FINISHES

◇ Baked on powder coat finish meets AAMA 2604 (an FGIA specification) and is available in unlimited colors

- Quaker Impressive Palette of Colors



- 7 Resemble Colors (painted finish resembling anodized)



- Unlimited Custom Colors

◇ AAMA 2605 (an FGIA specification) powder coat finishes (not available for all colors shown)

◇ SolarLE Paint Finish (available with Textured Black and Dark Espresso colors only)

◇ AAMA 611-98 Class I clear and tinted anodized finishes

* Printed colors shown here may not accurately depict actual painted colors. Color samples are available upon request.

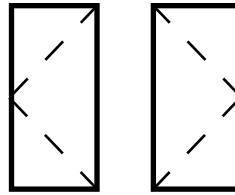
Our products are tested to the standards of and certified by some of the foremost organizations in the fenestration industry.



QUAKER
COMMERCIAL WINDOWS AND DOORS



QUAKER
COMMERCIAL WINDOWS AND DOORS

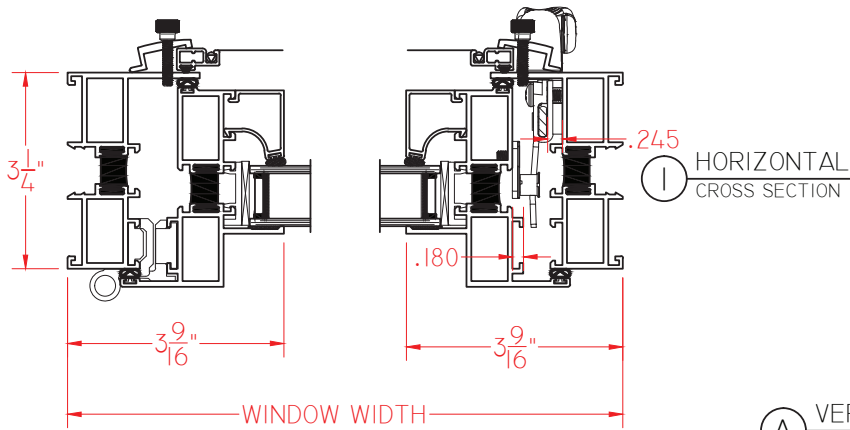


Traditional
SERIES

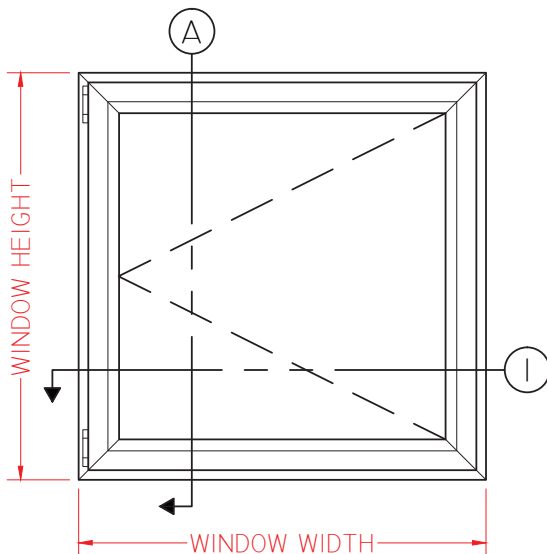
T600 Series
AW-PG70
3 1/4" Frame Depth
Casement

T600 OUTSWING CASEMENT CRANK OUT

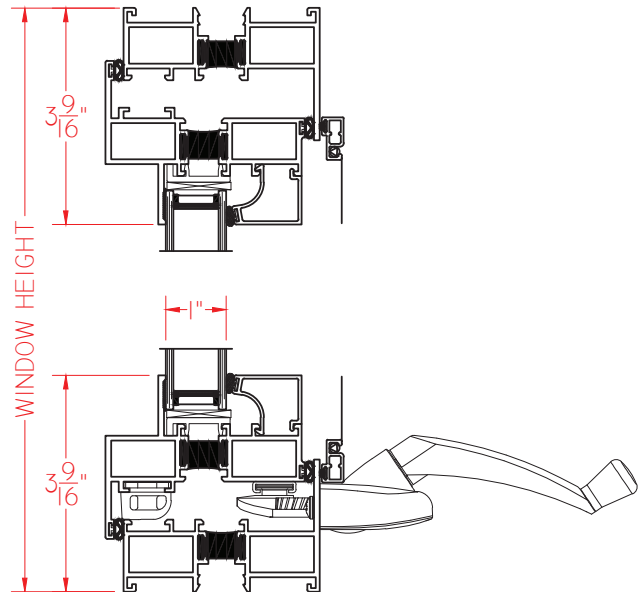
This document contains confidential and proprietary information intended for the private use of Quaker.
© 2016 Quaker Window Products Co., INC. All rights reserved.
Quaker reserves the right to change any/all designs without notice. Due to periodic re-certification requirements, result shown may vary.



A VERTICAL
CROSS SECTION



ELEVATION SCALE 3/4" = 1'-0"



SCALE 1:3

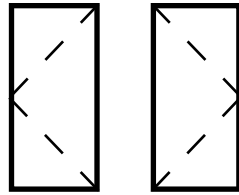
Our products are tested to the standards of and certified by some of the foremost organizations in the fenestration industry.



QUAKER
COMMERCIAL WINDOWS AND DOORS



QUAKER
COMMERCIAL WINDOWS AND DOORS

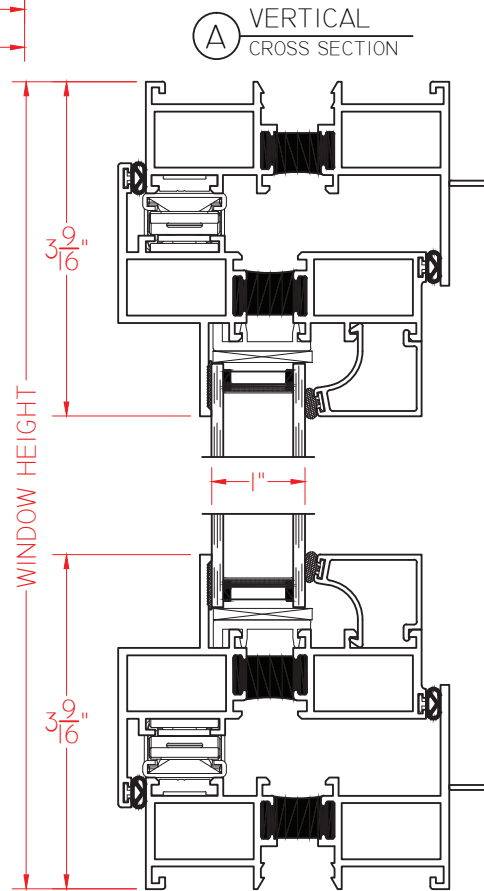
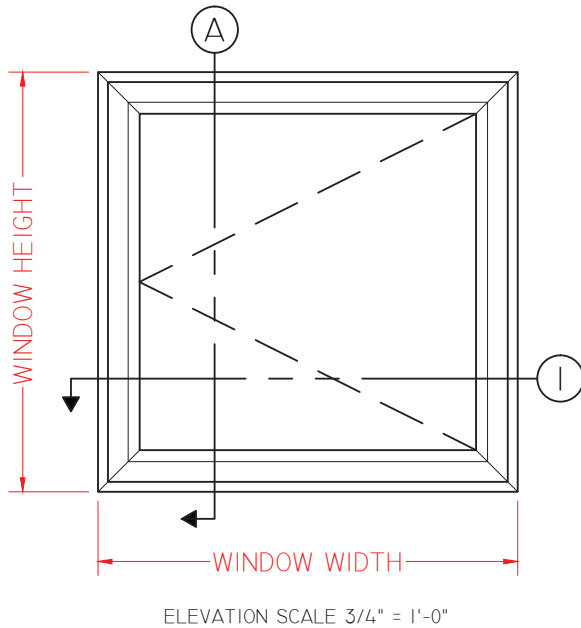
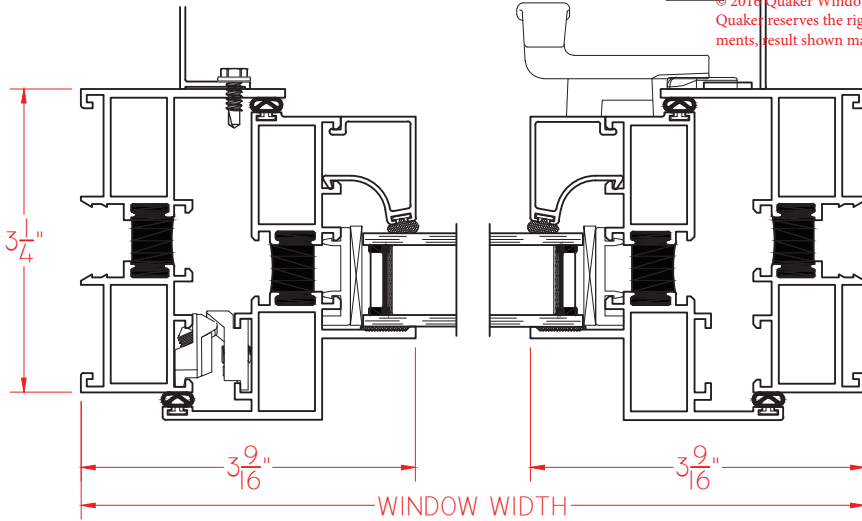


Traditional
SERIES

**T600 Series
AW-PG70
3 1/4" Frame Depth
Casement**

T600 OUTSWING CASEMENT PUSH OUT

This document contains confidential and proprietary information intended for the private use of Quaker.
© 2016 Quaker Window Products Co., INC. All rights reserved.
Quaker reserves the right to change any/all designs without notice. Due to periodic re-certification requirements, result shown may vary.



SCALE 1:2

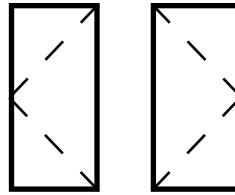
Our products are tested to the standards of and certified by some of the foremost organizations in the fenestration industry.



QUAKER
COMMERCIAL WINDOWS AND DOORS



QUAKER
COMMERCIAL WINDOWS AND DOORS

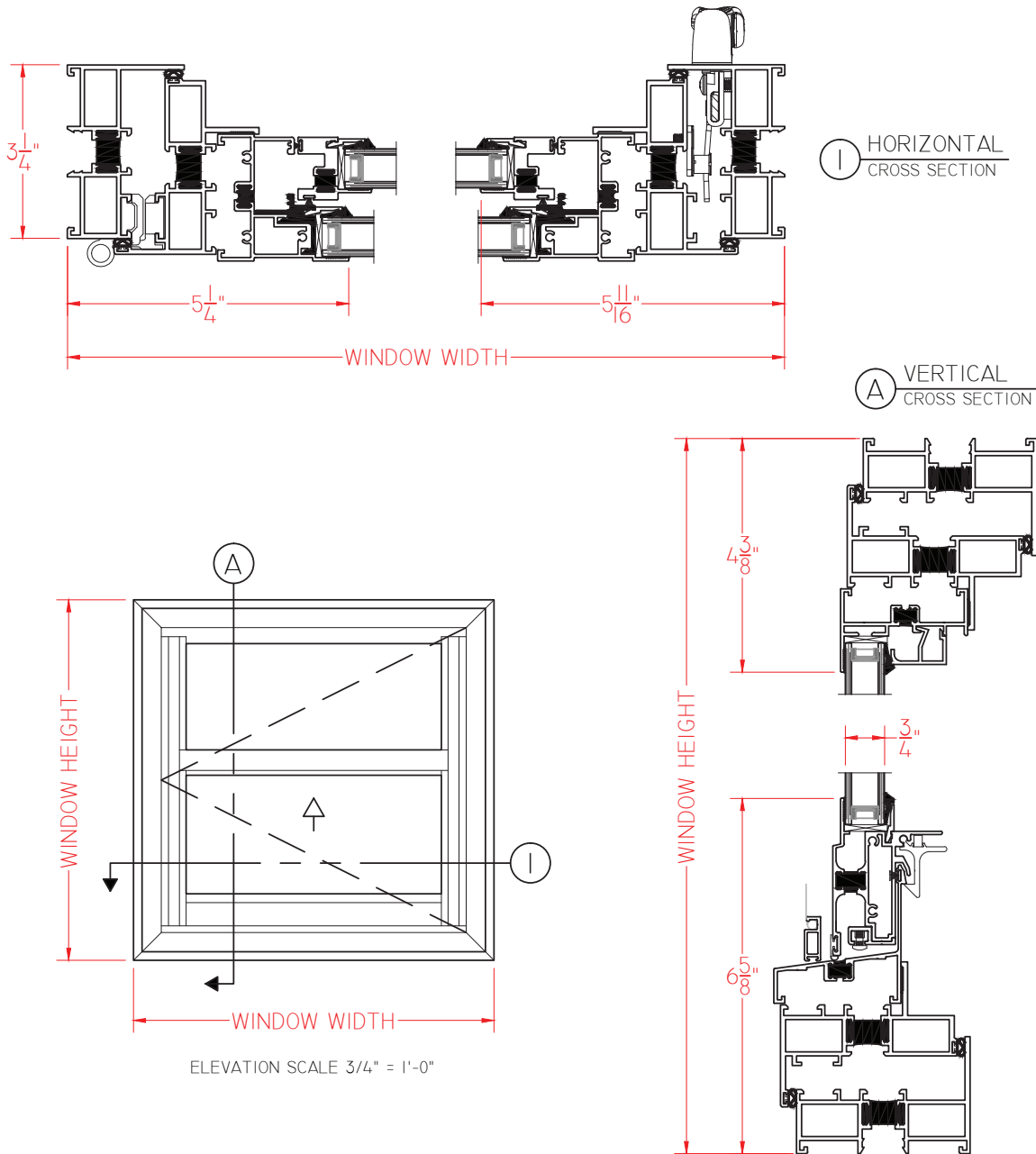


Traditional
SERIES

T600 Series
AW-PG70
3 1/4" Frame Depth
Casement

T600 OUTSWING CASEMENT PUSH OUT EGRESS

This document contains confidential and proprietary information intended for the private use of Quaker.
© 2016 Quaker Window Products Co., INC. All rights reserved.
Quaker reserves the right to change any/all designs without notice. Due to periodic re-certification requirements, result shown may vary.



SCALE 1:3

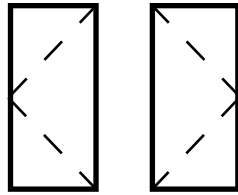
Our products are tested to the standards of and certified by some of the foremost organizations in the fenestration industry.



QUAKER
COMMERCIAL WINDOWS AND DOORS



QUAKER
COMMERCIAL WINDOWS AND DOORS

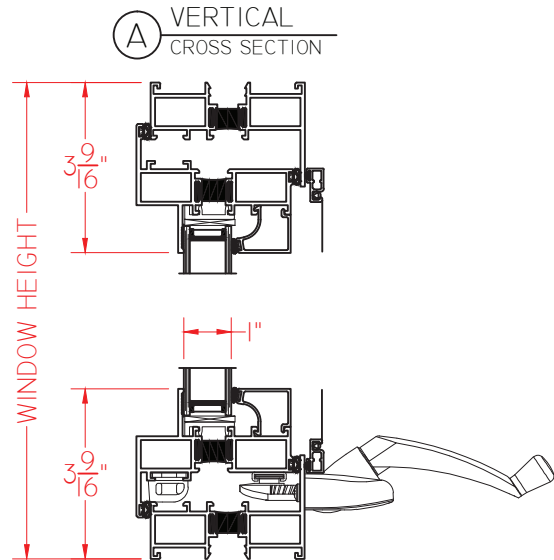
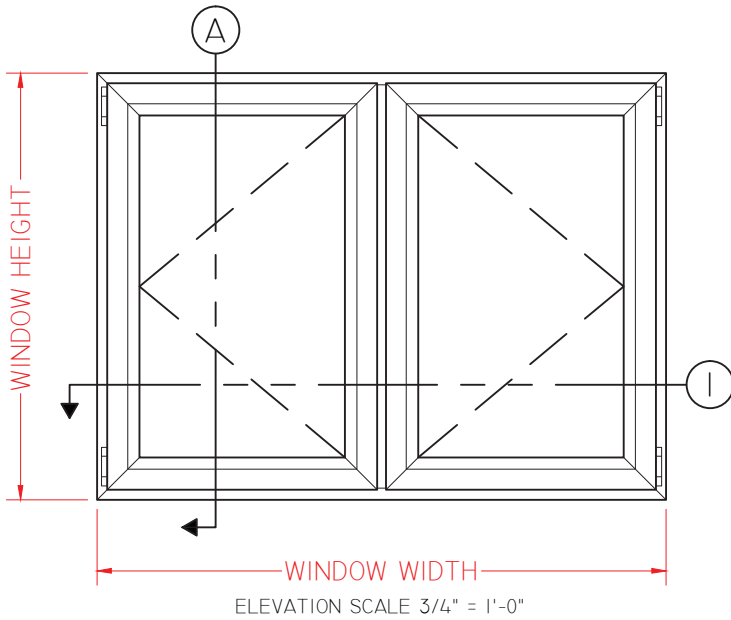
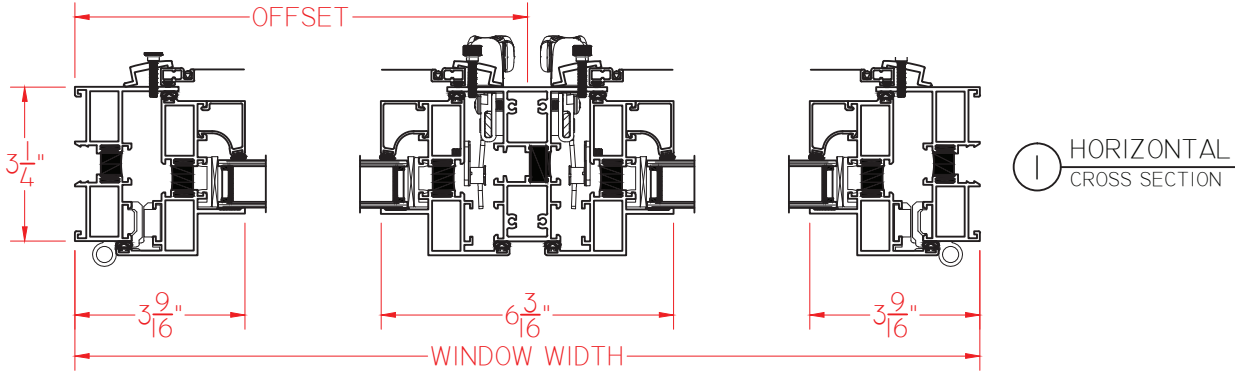


Traditional
SERIES

T600 Series
AW-PG70
3 1/4" Frame Depth
Casement

T600 OUTSWING CASEMENT/CASEMENT

This document contains confidential and proprietary information intended for the private use of Quaker.
© 2016 Quaker Window Products Co., INC. All rights reserved.
Quaker reserves the right to change any/all designs without notice. Due to periodic re-certification requirements, result shown may vary.



SCALE 1:4

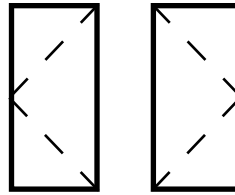
Our products are tested to the standards of and certified by some of the foremost organizations in the fenestration industry.



QUAKER
COMMERCIAL WINDOWS AND DOORS



QUAKER
COMMERCIAL WINDOWS AND DOORS

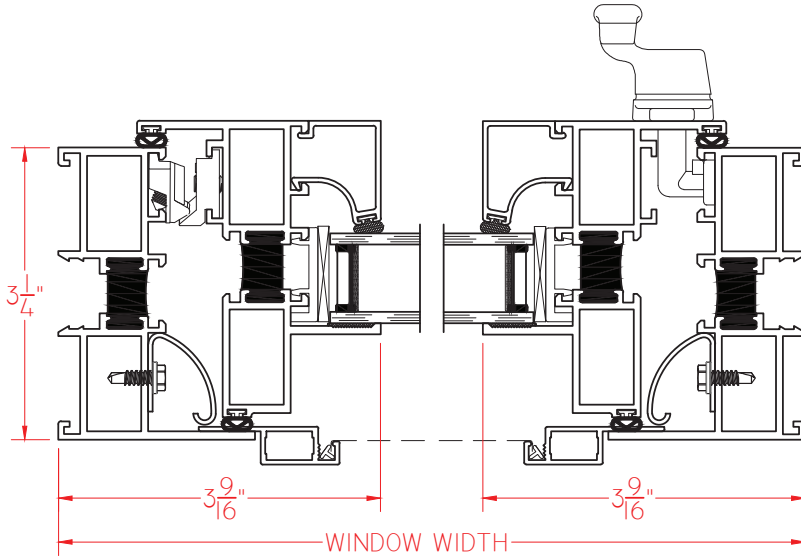


Traditional
SERIES

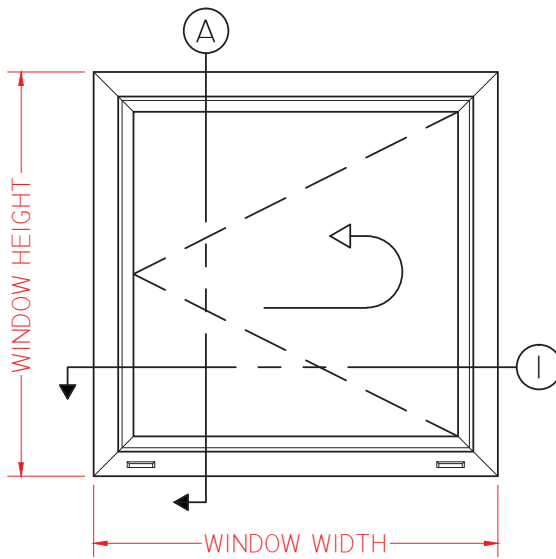
T600 Series
AW-PG70
3 1/4" Frame Depth
Casement

T600 INSWING CASEMENT

This document contains confidential and proprietary information intended for the private use of Quaker.
© 2016 Quaker Window Products Co., INC. All rights reserved.
Quaker reserves the right to change any/all designs without notice. Due to periodic re-certification requirements, result shown may vary.

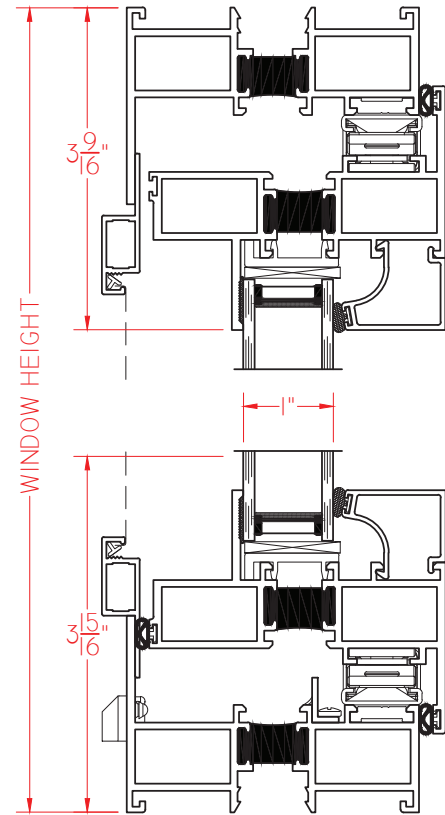


① HORIZONTAL
CROSS SECTION



ELEVATION SCALE 3/4" = 1'-0"

Ⓐ VERTICAL
CROSS SECTION



SCALE 1:2

Our products are tested to the standards of and certified by some of the foremost organizations in the fenestration industry.



QUAKER
COMMERCIAL WINDOWS AND DOORS