



T500 SERIES PICTURE WINDOW (FIXED)

FEATURES

- ◇ Commercial Framing System
 - 3 ¼" main frame
 - 0.062" wall thickness of frame and sash
- ◇ Enhanced Design
 - Azon pour and debridge thermal break is ½" wide in all main frame and vent rail extrusions
- ◇ Glazing
 - 1" insulated glass

OPTIONS

- ◇ Available Configurations
 - Fixed
- ◇ Muntin Choices
 - Internal or simulated divided lites available
- ◇ Nailing Fin
- ◇ Glazing
 - Multiple Low-E and argon glazing choices
 - Capillary tubes
 - Wide variety of glazing, tinting and thickness options
- ◇ Panning & Trim Choices
 - Wide variety of panning, receptor and trim available
- ◇ Mulling
 - Wide variety of structural mulls

BENEFITS

- ◇ The capacity to match exterior colors for unique project facades
- ◇ The ability to facilitate large sizes for taller and wider window openings

PERFORMANCE

- ◇ Structural & Thermal (test reports or thermal simulations available upon request)

Model	Picture Window (Fixed)
NAFS Rating	HC50
Structural Load P.S.F.	75.0
Air at 50 MPH (cfm/ft ²)	<0.10
Water (No Penetration) P.S.F.	12
U-Value (with Low-E and Argon)	0.27-0.34
SHGC (with Low-E and Argon)	0.15-0.36

Window test size: 72" × 72"

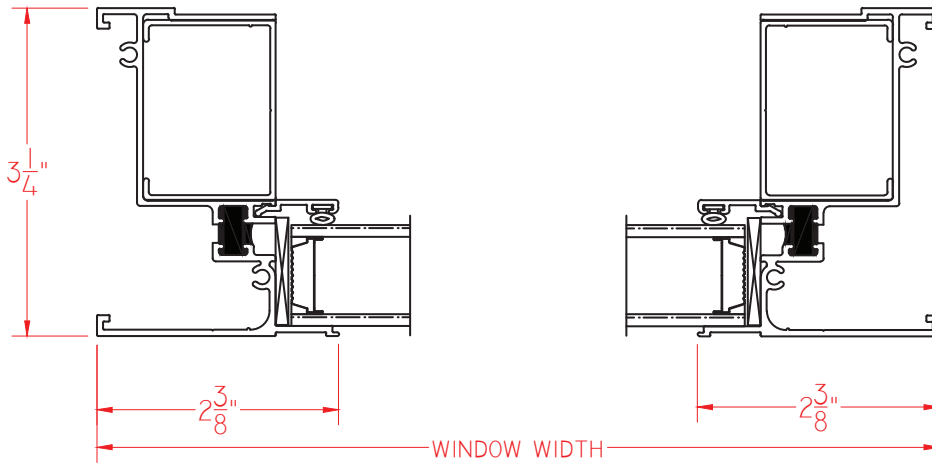




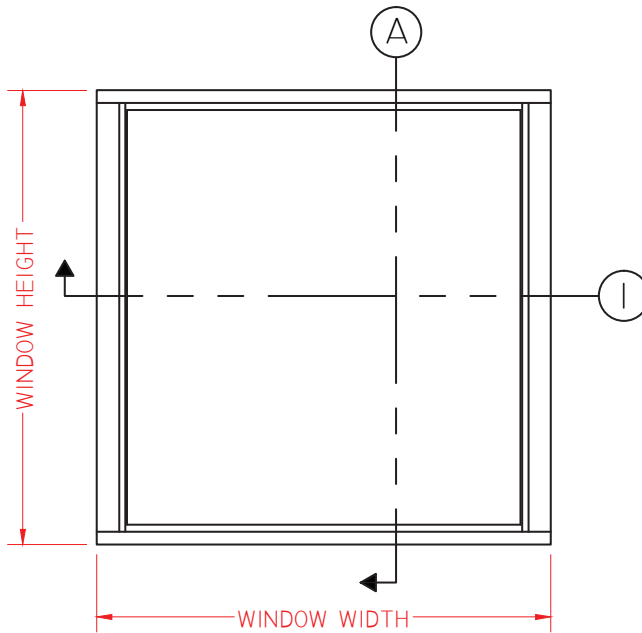
T500 Series
3 1/4" Frame Depth
Fixed (Picture Window)

T500 FIXED

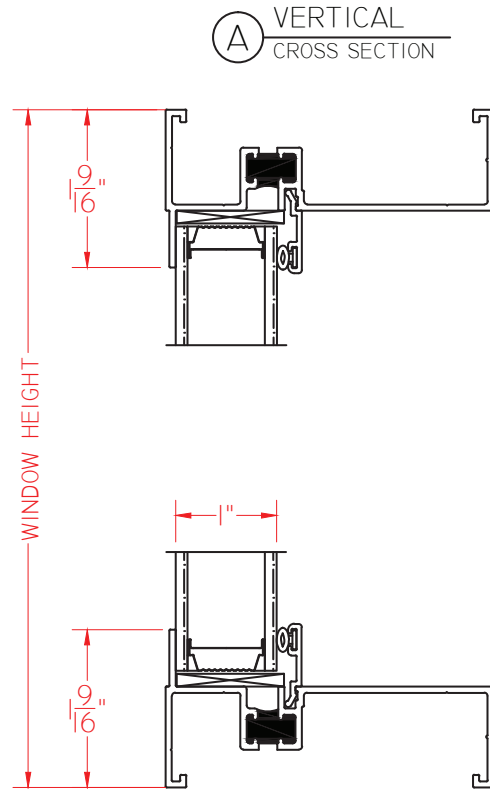
This document contains confidential and proprietary information intended for the private use of Quaker.
 © 2016 Quaker Window Products Co., INC. All rights reserved.
 Quaker reserves the right to change any/all designs without notice. Due to periodic re-certification requirements, result shown may vary.



① HORIZONTAL
 CROSS SECTION

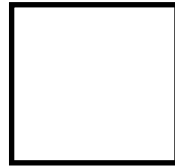


ELEVATION SCALE 3/4" = 1'-0"



Ⓐ VERTICAL
 CROSS SECTION

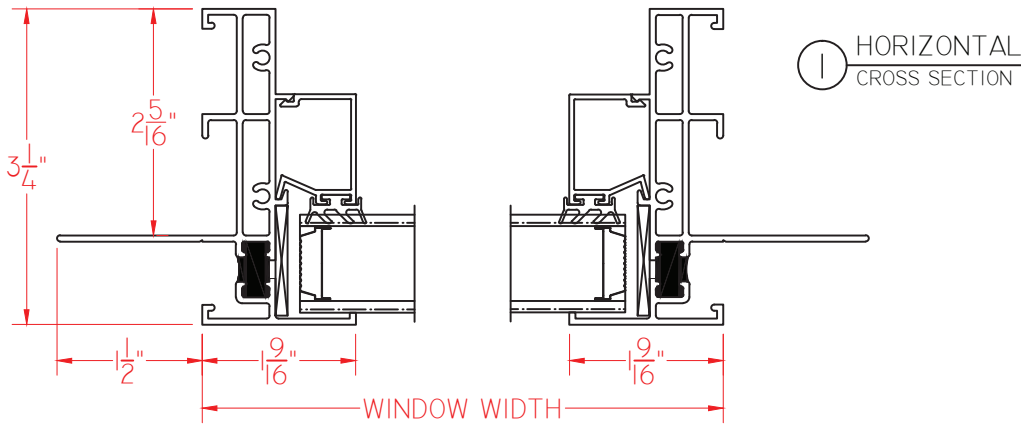
SCALE 1:2



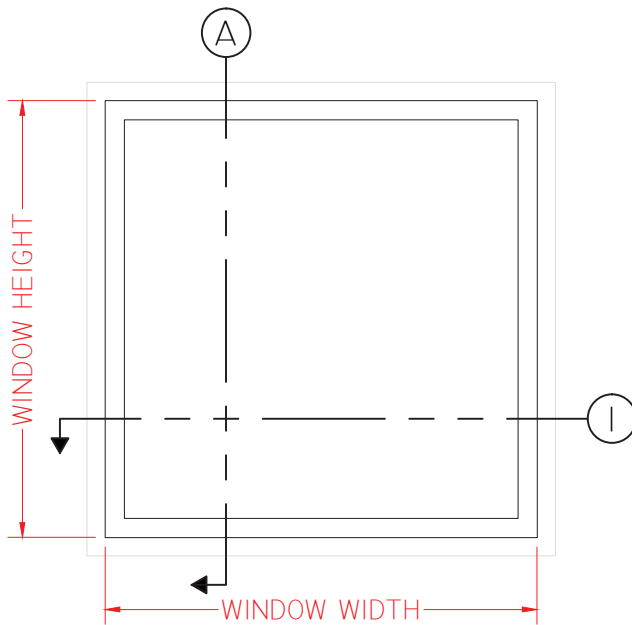
T500 Series 3 1/4" Frame Depth Fixed (Picture Window)

T500 FIXED NARROW WITH NAILING FIN

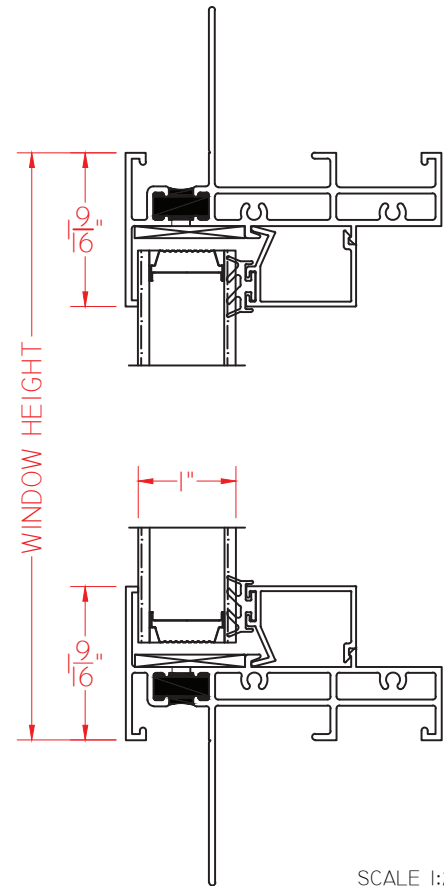
This document contains confidential and proprietary information intended for the private use of Quaker.
© 2016 Quaker Window Products Co., INC. All rights reserved.
Quaker reserves the right to change any/all designs without notice. Due to periodic re-certification requirements, result shown may vary.



Ⓐ VERTICAL CROSS SECTION



ELEVATION SCALE 3/4" = 1'-0"



Our products are tested to the standards of and certified by some of the foremost organizations in the fenestration industry.

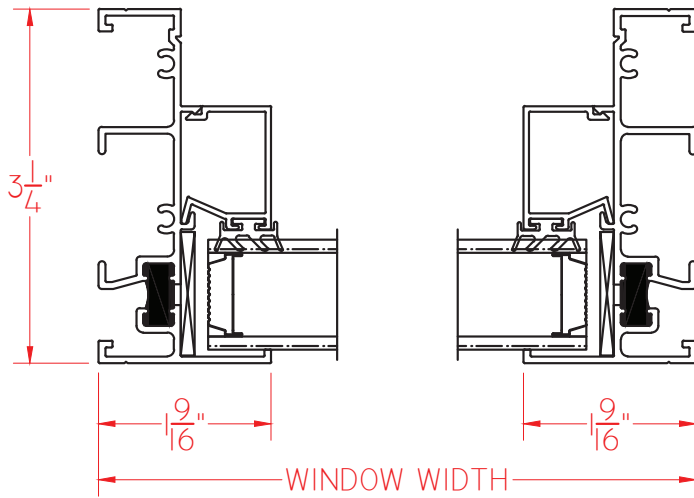




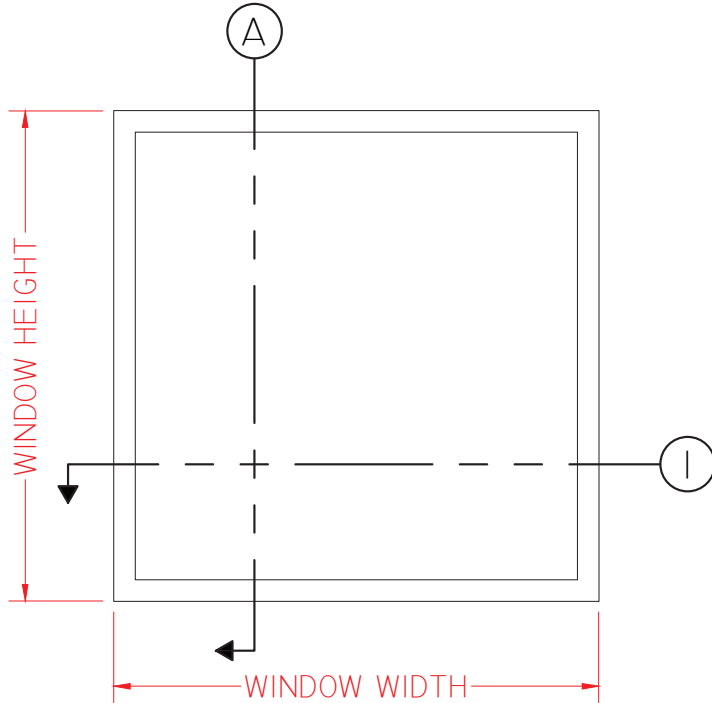
T500 Series
3 1/4" Frame Depth
Fixed (Picture Window)

T500 FIXED NARROW WITHOUT NAILING FIN

This document contains confidential and proprietary information intended for the private use of Quaker.
 © 2016 Quaker Window Products Co., INC. All rights reserved.
 Quaker reserves the right to change any/all designs without notice. Due to periodic re-certification requirements, result shown may vary.

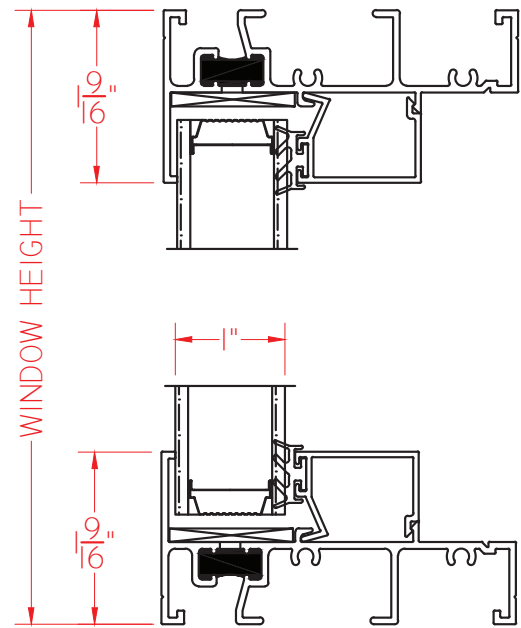


① HORIZONTAL
 CROSS SECTION



ELEVATION SCALE 3/4" = 1'-0"

Ⓐ VERTICAL
 CROSS SECTION



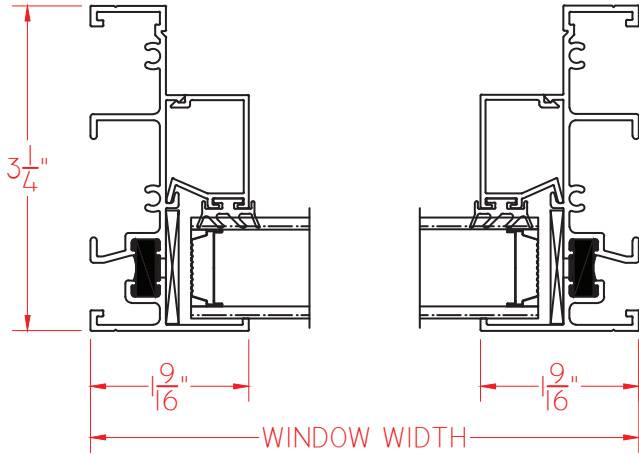
SCALE 1:2



T500 Series
3 1/4" Frame Depth
Fixed (Picture Window)

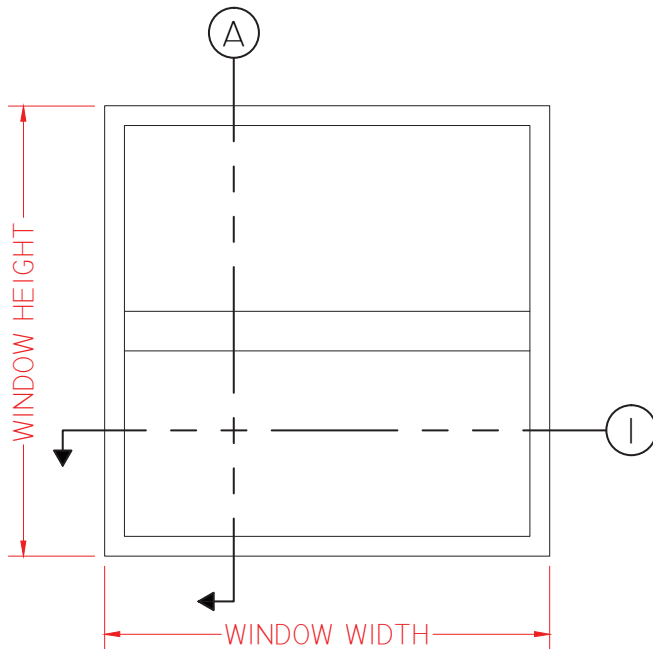
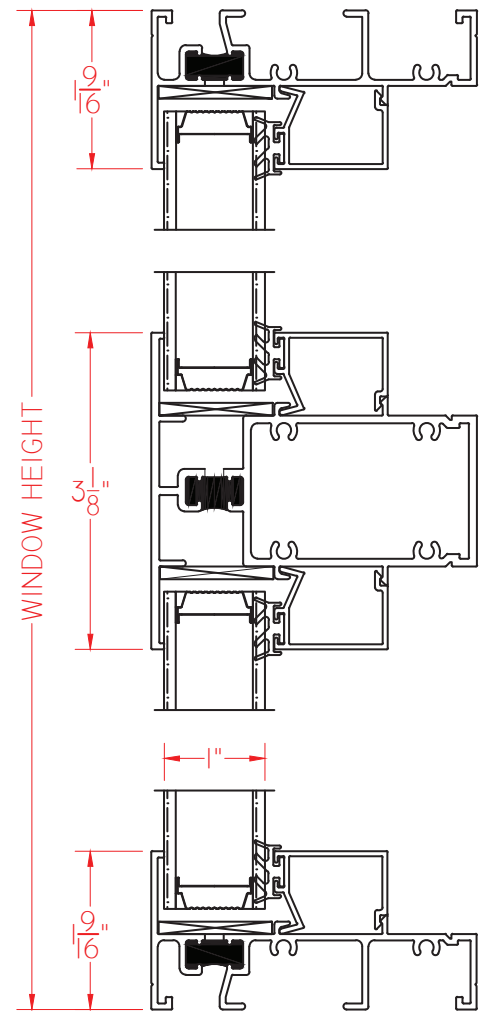
T500 FIXED NARROW DOUBLE JAMB (H)

This document contains confidential and proprietary information intended for the private use of Quaker.
 © 2016 Quaker Window Products Co., INC. All rights reserved.
 Quaker reserves the right to change any/all designs without notice. Due to periodic re-certification requirements, result shown may vary.



① HORIZONTAL CROSS SECTION

Ⓐ VERTICAL CROSS SECTION

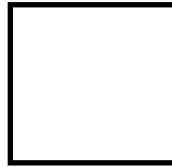


ELEVATION SCALE 3/4" = 1'-0"

SCALE 1:2

Our products are tested to the standards of and certified by some of the foremost organizations in the fenestration industry.

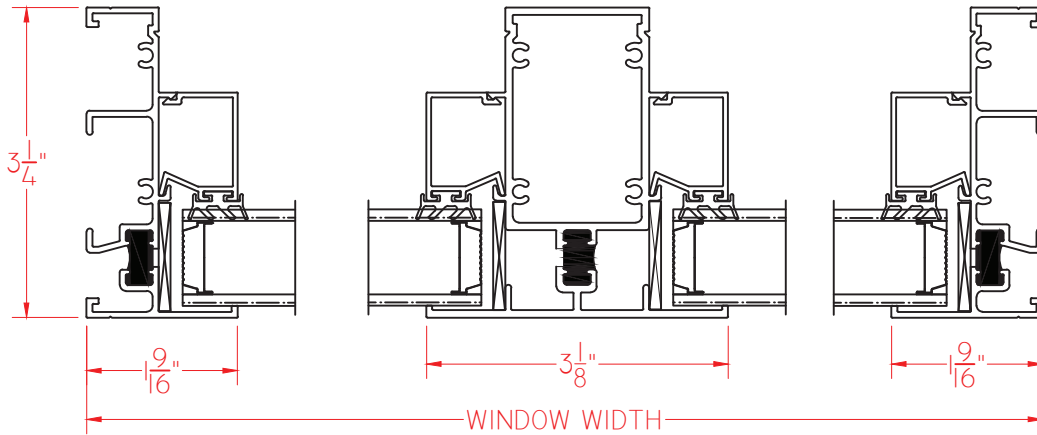




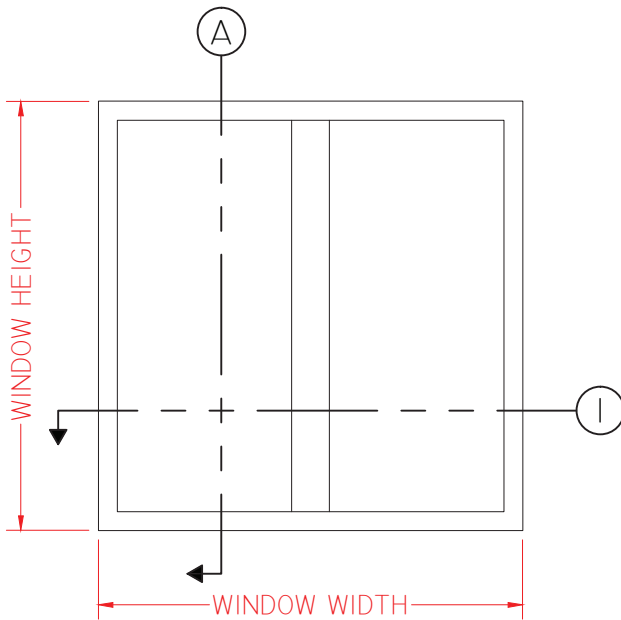
**T500 Series
3 1/4" Frame Depth
Fixed (Picture Window)**

T500 FIXED NARROW DOUBLE JAMB (V)

This document contains confidential and proprietary information intended for the private use of Quaker.
© 2016 Quaker Window Products Co., INC. All rights reserved.
Quaker reserves the right to change any/all designs without notice. Due to periodic re-certification requirements, result shown may vary.

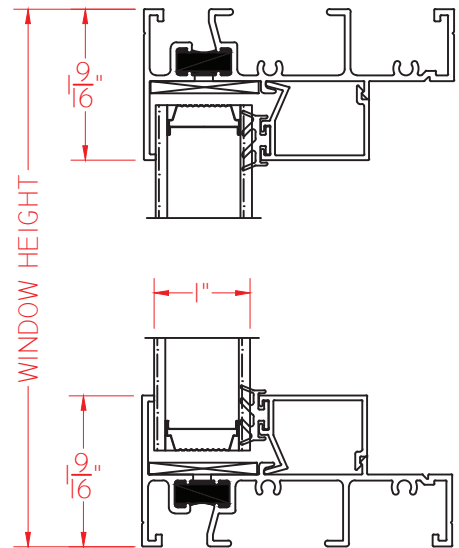


① HORIZONTAL CROSS SECTION



ELEVATION SCALE 3/4" = 1'-0"

Ⓐ VERTICAL CROSS SECTION



SCALE 1:2

Our products are tested to the standards of and certified by some of the foremost organizations in the fenestration industry.

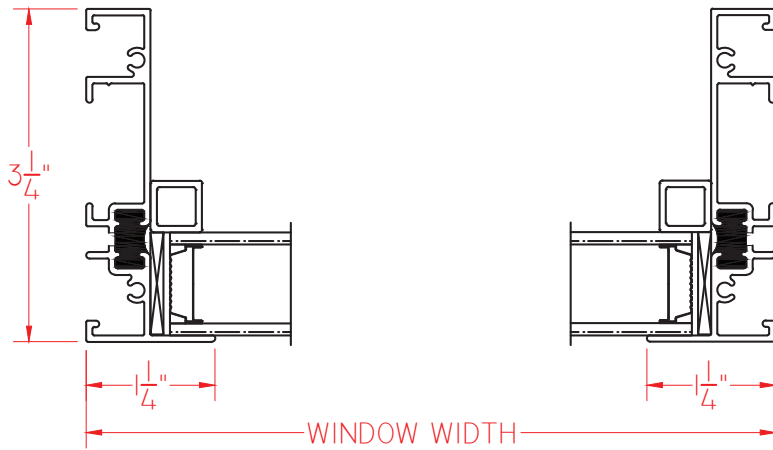




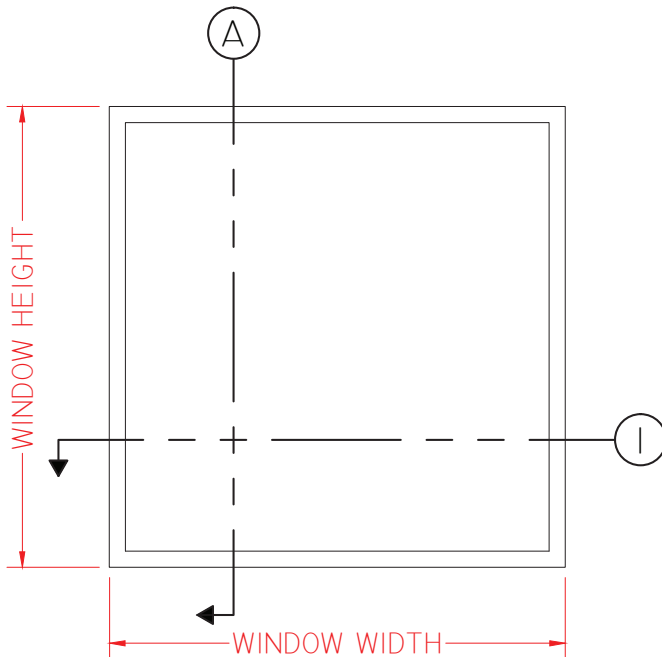
T500 Series
3 1/4" Frame Depth
Fixed (Picture Window)

T500 FIXED NARROW GEOMETRICS

This document contains confidential and proprietary information intended for the private use of Quaker.
 © 2016 Quaker Window Products Co., INC. All rights reserved.
 Quaker reserves the right to change any/all designs without notice. Due to periodic re-certification requirements, result shown may vary.

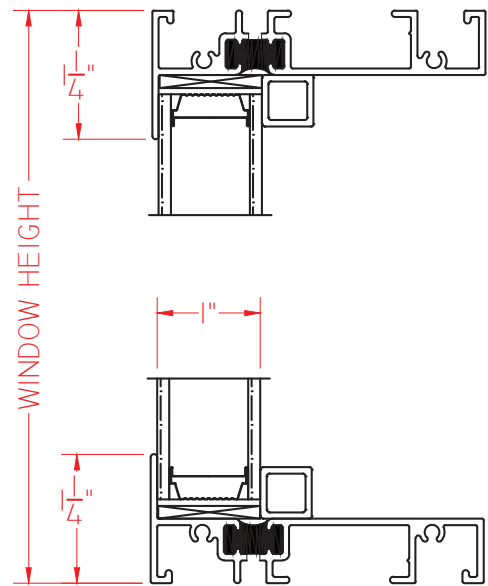


① HORIZONTAL
 CROSS SECTION



ELEVATION SCALE 3/4" = 1'-0"

Ⓐ VERTICAL
 CROSS SECTION



SCALE 1:2