

# H450 Series 3 1/4" Frame Depth Casement (Project-Out)

## H450 SERIES CASEMENT

### FEATURES

- ◇ Commercial Framing System
  - 3 1/4" main frame
  - Historically-correct bevel frame exterior
  - Minimum of 0.080" wall thickness
  - Dual Euro Groove System
  - Available with or without integral nailing fin
- ◇ Thermally Enhanced Design
  - Thermally-broken main frame and vent rails
  - Azon pour and debridge thermal break technology
- ◇ Glazing
  - 1" insulating glass
- ◇ Hardware
  - Maxim LP Locking System, Chic Hinge and Roto Hardware on crankout model
  - Maxim LP Locking System, 4-Bar Hinge and Push/Pull Cup Hardware on push-out model
- ◇ Screen
  - Easily removable FlexScreen

### OPTIONS

- ◇ Available Configurations
  - Project-out casement
  - Push-out or Crank-out (Left or Right)
  - Continuous frame capabilities
  - Fixed
- ◇ Muntin Choices
  - Internal or simulated divided lites available
- ◇ Hardware
  - Limit Travel Accessories
- ◇ Screen
  - Wicket Screen (Push-out model only)
- ◇ Glazing
  - Multiple Low-E and argon glazing choices
  - Glazing pocket can accept 1 3/8" insulating glass for sound attenuation purposes
  - Capillary tubes
  - Wide variety of glazing, tinting and thickness options
- ◇ Panning & Trim Choices
  - Wide variety of panning, receptor and trim available
- ◇ Mulling
  - Wide variety of structural mulls

### BENEFITS

- ◇ Historically accurate profiles to help your project meet Historic Preservation codes
- ◇ The capacity to match exterior colors for unique project facades
- ◇ The ability to facilitate large sizes for taller and wider window openings

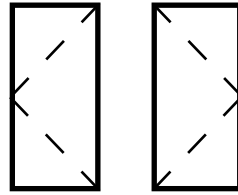
### PERFORMANCE

- ◇ Structural & Thermal (test reports or thermal simulations available upon request)

Model	Casement (Project-Out)
Test Size:	36" x 60"
NAFS Rating	CW-PG90-C
Air Infiltration (cfm/ft <sup>2</sup> )	<0.30
Water (No Penetration) P.S.F.	12
U-Value (ranges based on multiple Low-E/Argon combinations)	0.39-0.44
SHGC (ranges based on multiple Low-E/Argon combinations)	0.14-0.48

Our products are tested to the standards of and certified by some of the foremost organizations in the fenestration industry.

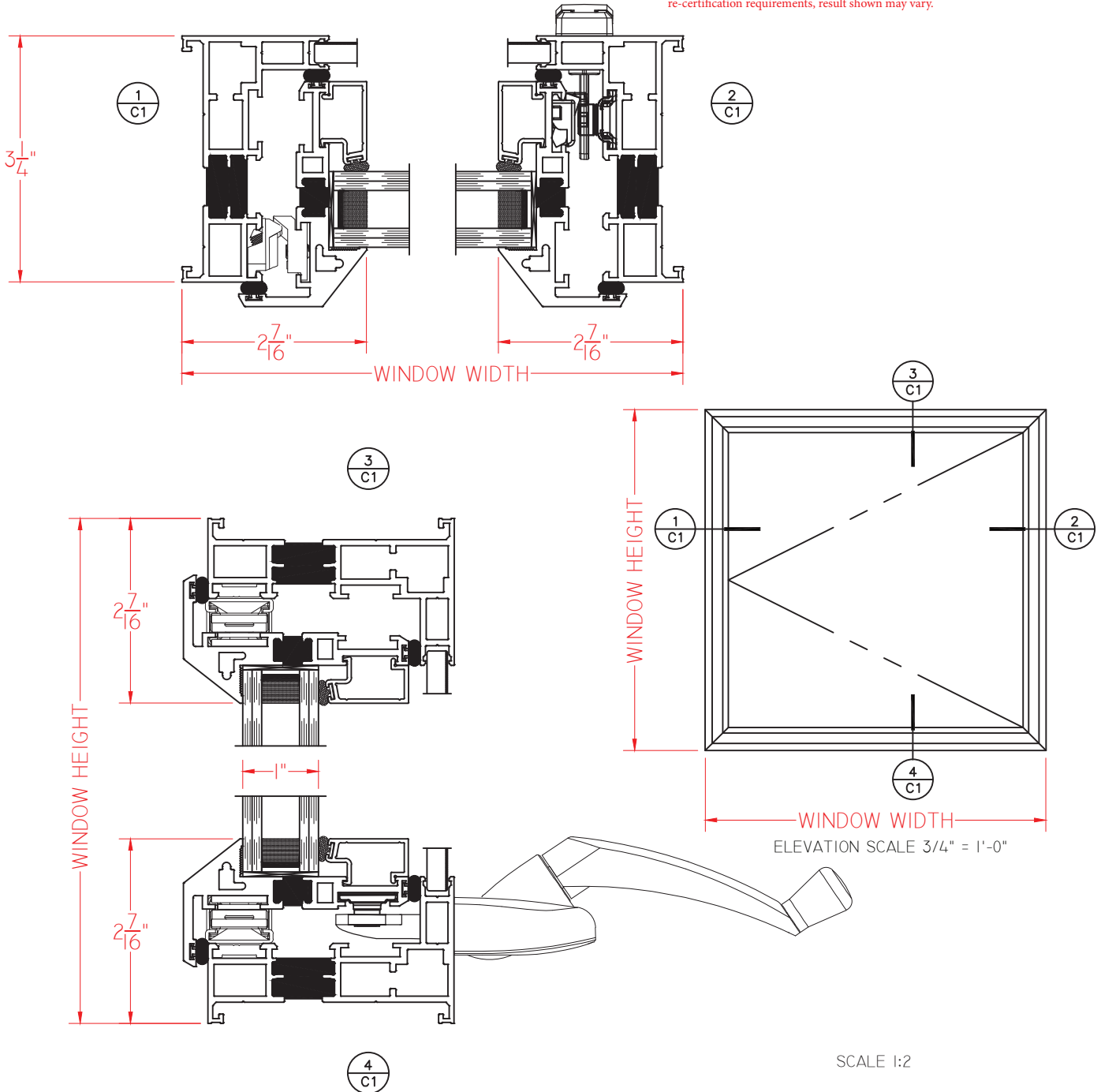




# H450 Series 3 1/4" Frame Depth Casement (Project-Out)

## H450 CASEMENT WITHOUT NAILING FIN (CRANK OUT)

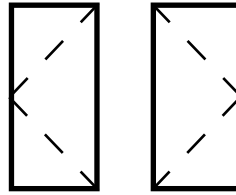
This document contains confidential and proprietary information intended for the private use of Quaker.  
 © 2020 Quaker Window Products Co., INC. All rights reserved.  
 Quaker reserves the right to change any/all designs without notice. Due to periodic re-certification requirements, result shown may vary.



SCALE 1:2

Our products are tested to the standards of and certified by some of the foremost organizations in the fenestration industry.

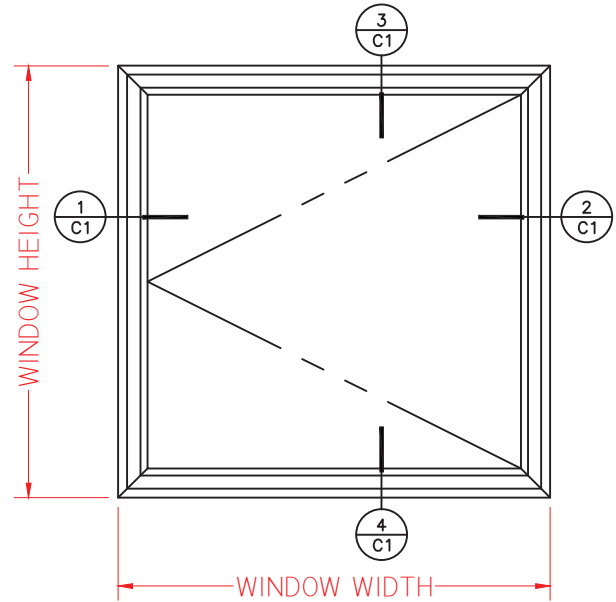
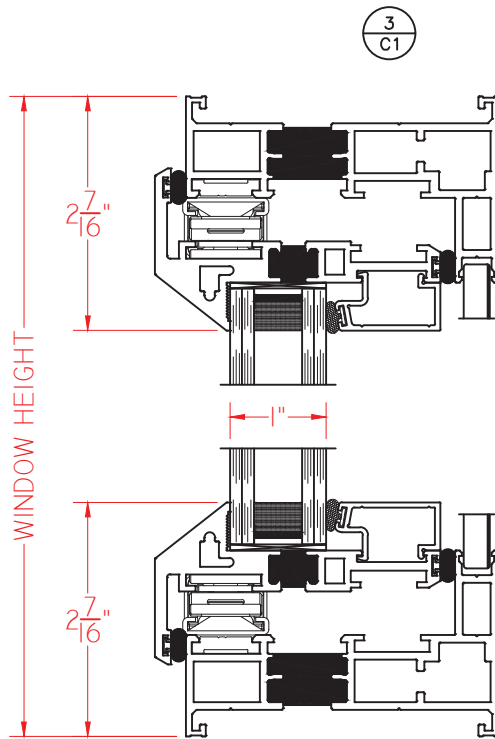
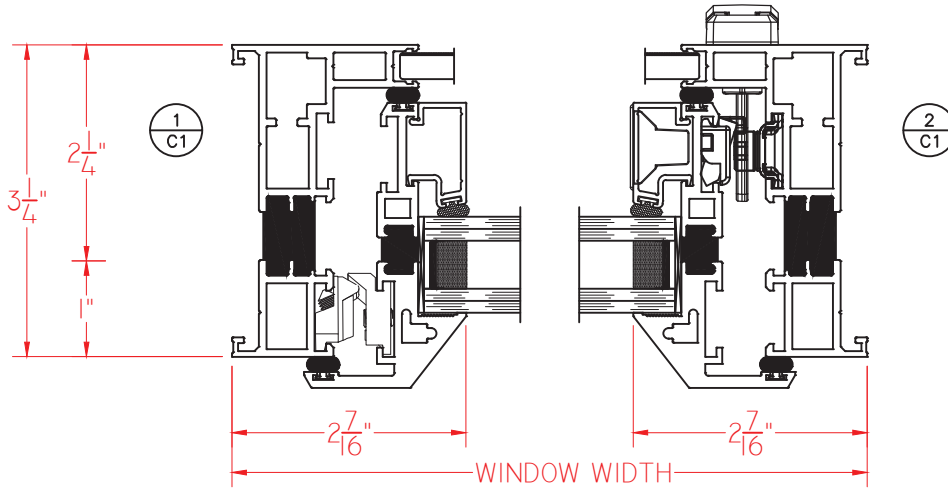




# H450 Series 3 1/4" Frame Depth Casement (Project-Out)

## H450 CASEMENT WITHOUT NAILING FIN (PUSHOUT)

This document contains confidential and proprietary information intended for the private use of Quaker.  
 © 2020 Quaker Window Products Co., INC. All rights reserved.  
 Quaker reserves the right to change any/all designs without notice. Due to periodic re-certification requirements, result shown may vary.



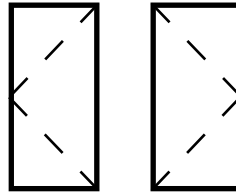
ELEVATION SCALE 3/4" = 1'-0"

4  
C1

SCALE 1:2

Our products are tested to the standards of and certified by some of the foremost organizations in the fenestration industry.

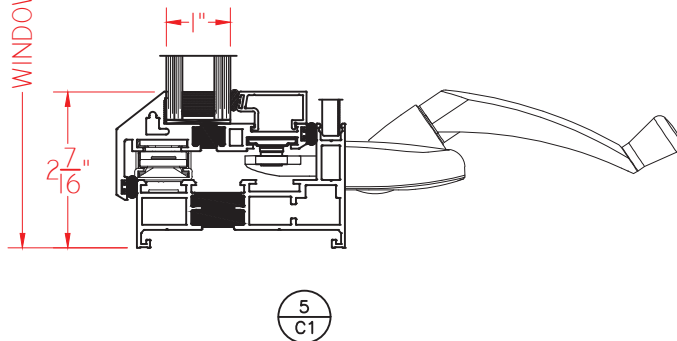
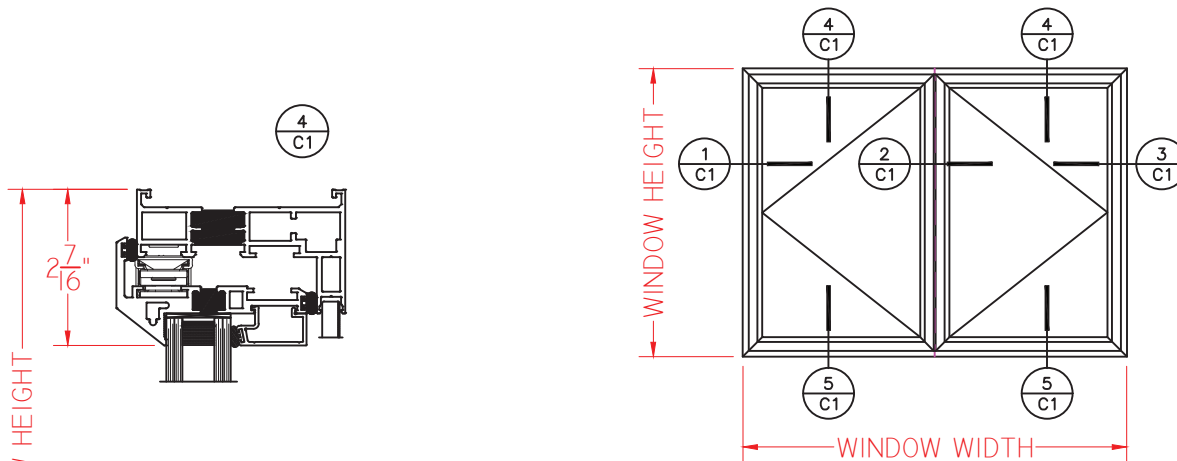
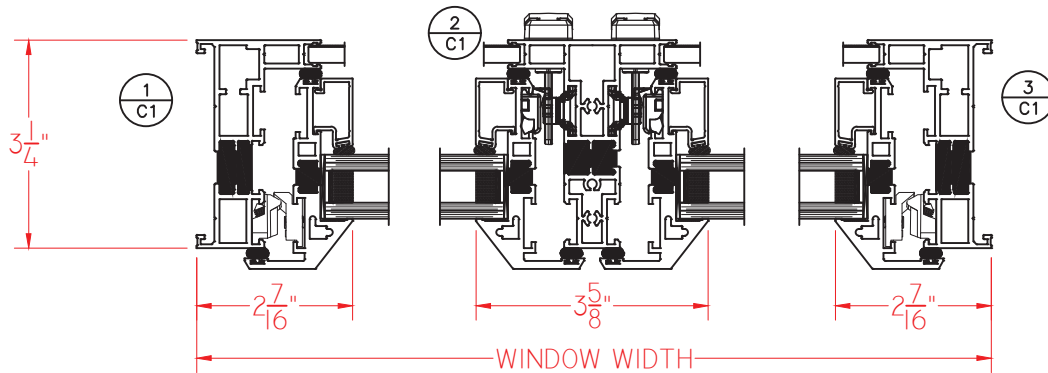




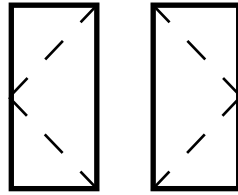
**H450 Series**  
**3 1/4" Frame Depth**  
**Casement (Project-Out)**

**H450 CASEMENT/CASEMENT (CRANK OUT)**

This document contains confidential and proprietary information intended for the private use of Quaker.  
 © 2020 Quaker Window Products Co., INC. All rights reserved.  
 Quaker reserves the right to change any/all designs without notice. Due to periodic re-certification requirements, result shown may vary.



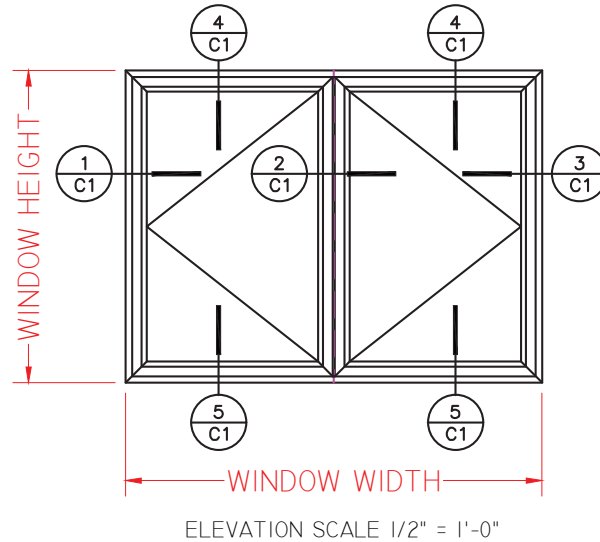
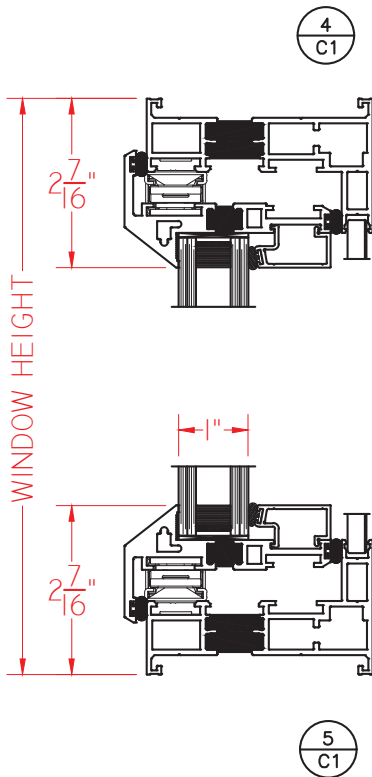
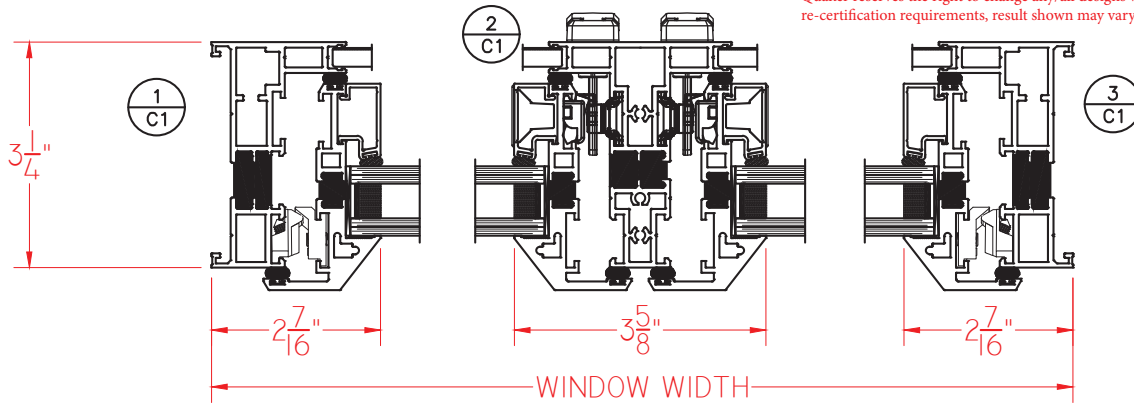
SCALE 1:3



# H450 Series 3 1/4" Frame Depth Casement (Project-Out)

## H450 CASEMENT/CASEMENT (PUSH OUT)

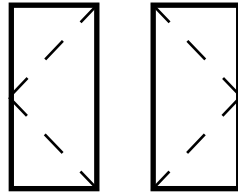
This document contains confidential and proprietary information intended for the private use of Quaker.  
 © 2020 Quaker Window Products Co., INC. All rights reserved.  
 Quaker reserves the right to change any/all designs without notice. Due to periodic re-certification requirements, result shown may vary.



SCALE 1:3

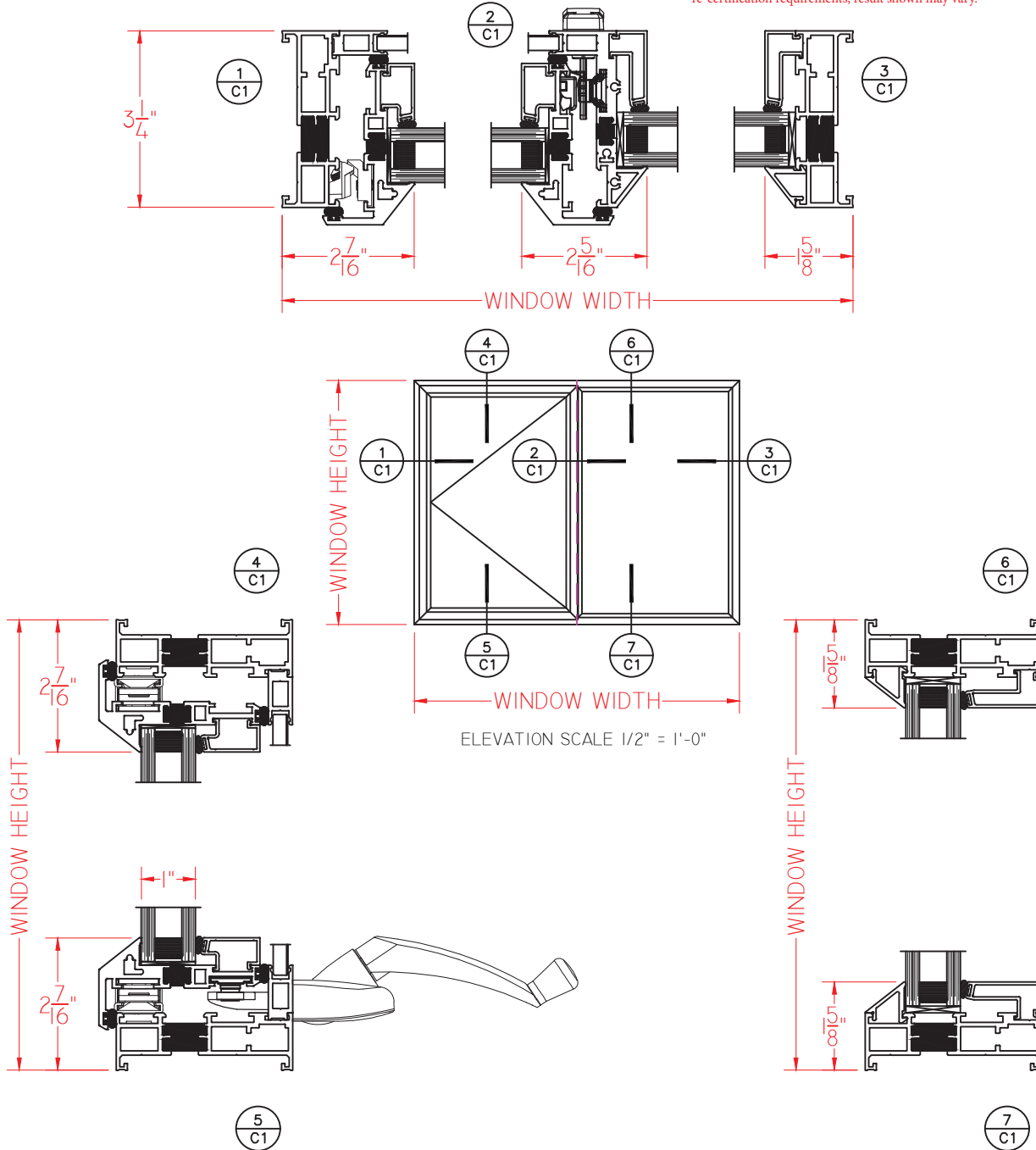
Our products are tested to the standards of and certified by some of the foremost organizations in the fenestration industry.





# H450 CASEMENT (CRANK OUT)/FIXED

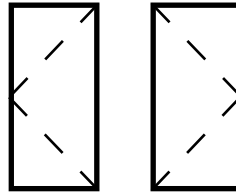
This document contains confidential and proprietary information intended for the private use of Quaker.  
© 2020 Quaker Window Products Co., INC. All rights reserved.  
Quaker reserves the right to change any/all designs without notice. Due to periodic re-certification requirements, result shown may vary.



SCALE 1:3

Our products are tested to the standards of and certified by some of the foremost organizations in the fenestration industry.

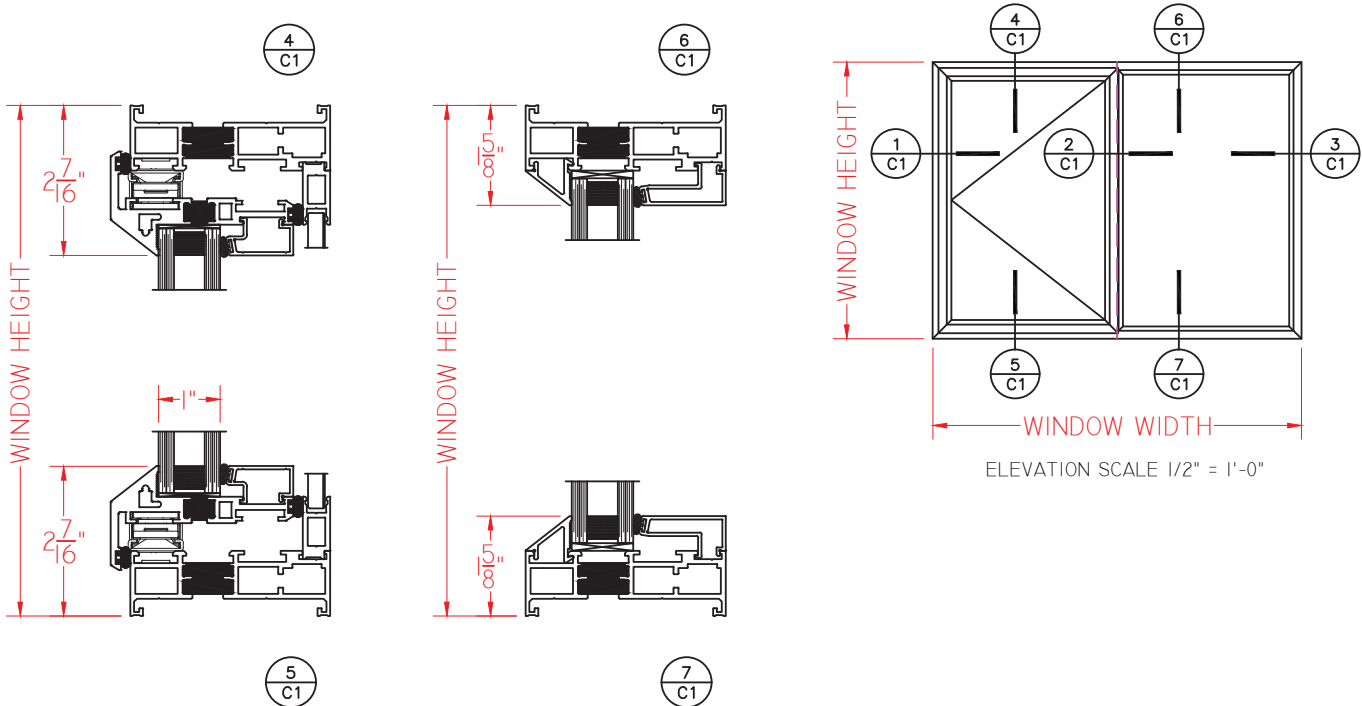
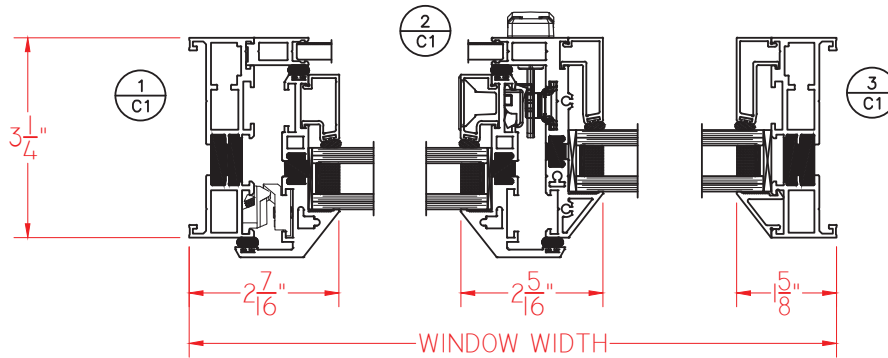




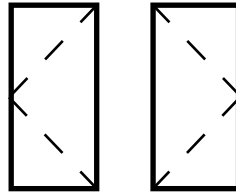
# H450 Series 3 1/4" Frame Depth Casement (Project-Out)

## H450 FIXED/CASEMENT (PUSH OUT)

This document contains confidential and proprietary information intended for the private use of Quaker.  
 © 2020 Quaker Window Products Co., INC. All rights reserved.  
 Quaker reserves the right to change any/all designs without notice. Due to periodic re-certification requirements, result shown may vary.



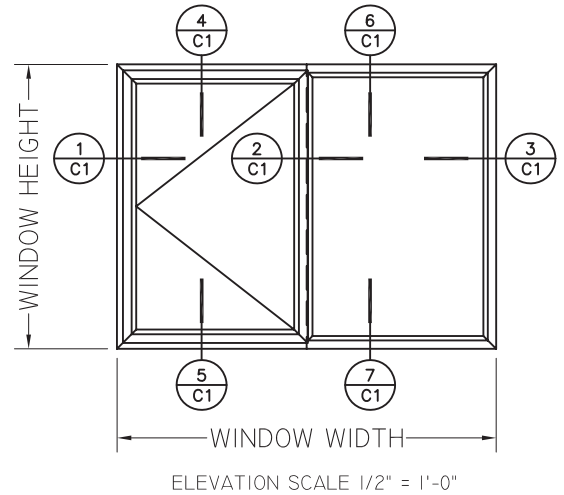
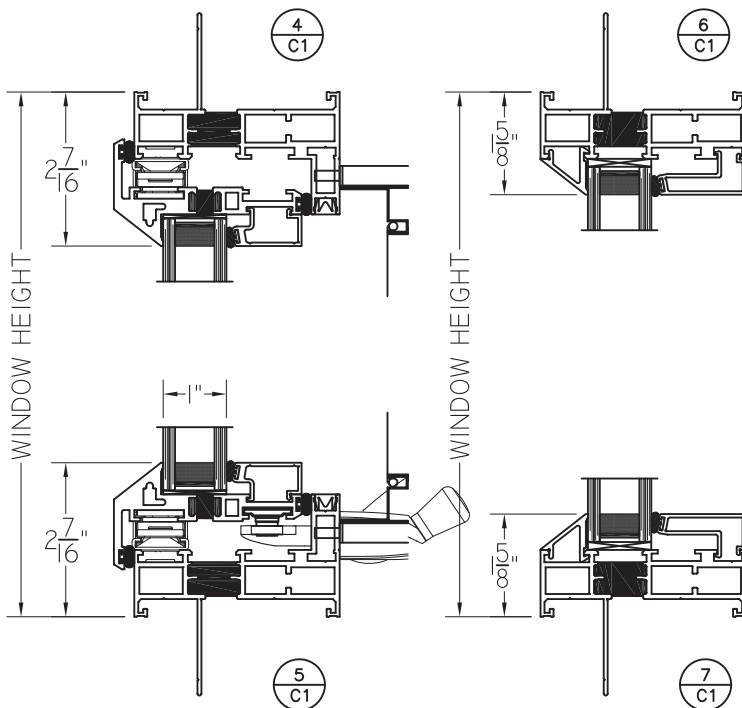
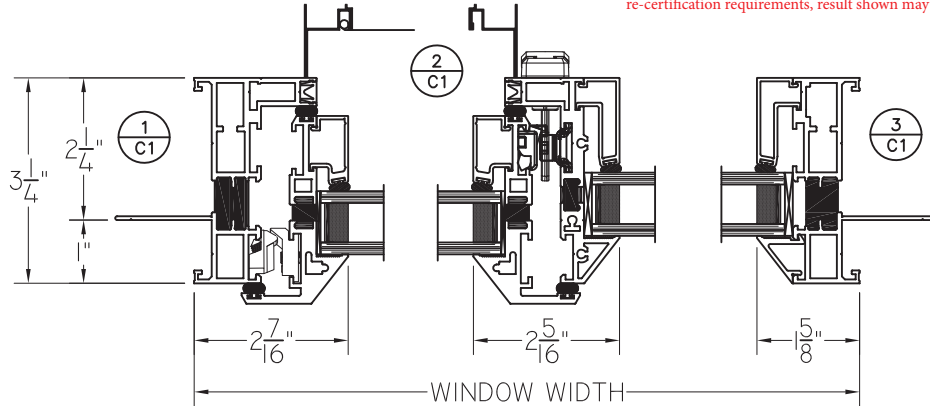
SCALE 1:3



# H450 Series 3 1/4" Frame Depth Casement (Project-Out)

## H450 CASEMENT/CASEMENT (PUSH OUT) WITH OPTIONAL NAIL FIN

This document contains confidential and proprietary information intended for the private use of Quaker.  
 © 2020 Quaker Window Products Co., INC. All rights reserved.  
 Quaker reserves the right to change any/all designs without notice. Due to periodic re-certification requirements, result shown may vary.



SCALE 1:3

Our products are tested to the standards of and certified by some of the foremost organizations in the fenestration industry.

