

E600 SERIES PROJECT-OUT

FEATURES

- ◇ Commercial Framing System
 - 3 1/4" main frame
 - 0.094" wall thickness of interior and exterior walls, 0.078" wall thickness elsewhere
- ◇ Thermally Enhanced Design
 - Azon pour and debridge thermal break is 1/2" wide in all main frame and vent rail extrusions
 - Assembled with heavy duty Monticelli cast aluminum corner keys
 - Mitered and pressure sealed internally with injected silicone through corner key passages. Wrap-around marine glazing
- ◇ Glazing
 - 1" insulated glass
- ◇ Hardware
 - Butt hinges or 4-Bar hinges available on both crank-out and push-out windows
 - Heavy-commercial Truth Contour™ locking system (Crank-out only)
 - Heavy-commercial Truth Contour™ multipoint lock with push handle (no crank hardware)
 - Low profile cam handle (Push-out only)
 - Pole Operated handle (Push-out only)
 - Custodial lock with removable handle (Push-out only)
- ◇ Screen
 - Wicket screed (Push-out only)
 - Extruded aluminum screen frame with BetterVue™ mesh (Crank-out only)
- ◇ Meets ADA Requirements (ADA Handle Required, Crank-out only)

BENEFITS

- ◇ The capacity to match exterior colors for unique project facades
- ◇ The ability to facilitate large sizes for taller and wider window openings

OPTIONS

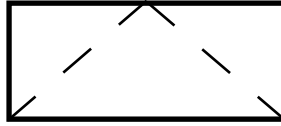
- ◇ Available Configurations
 - Project-out Project-Out
 - Push-out or Crank-out
 - Wire frame capabilities
- ◇ Muntin Choices
 - Internal or simulated divided lites available
- ◇ Limited travel hardware
- ◇ Screen
 - Extruded aluminum screen frame with aluminum wire mesh
 - Extruded aluminum screen frame with sunscreen mesh
 - Extruded aluminum screen frame with stainless steel 0.009" thickness mesh
- ◇ Glazing
 - Multiple Low-E and argon glazing choices
 - Capillary tubes
 - Optional glazing stop to accept 1 3/8" (triple) glazing
 - Wide variety of glazing, tinting and thickness options
- ◇ Panning & Trim Choices
 - Wide variety of panning, receptor and trim available
- ◇ Mulling
 - Wide variety of structural mulls

PERFORMANCE

- ◇ Structural & Thermal (test reports or thermal simulations available upon request)

Model	E600 Project-Out
Test Size	60" x 36"
NAFS Rating	AW-PG100
Structural Load P.S.F.	150
Air at 50 MPH (cfm/ft ²)	<0.10
Water (No Penetration) P.S.F.	15
U-Value (ranges based on multiple Low-E/Argon combinations)	0.26-0.37
SHGC (ranges based on multiple Low-E/Argon combinations)	0.10-0.41

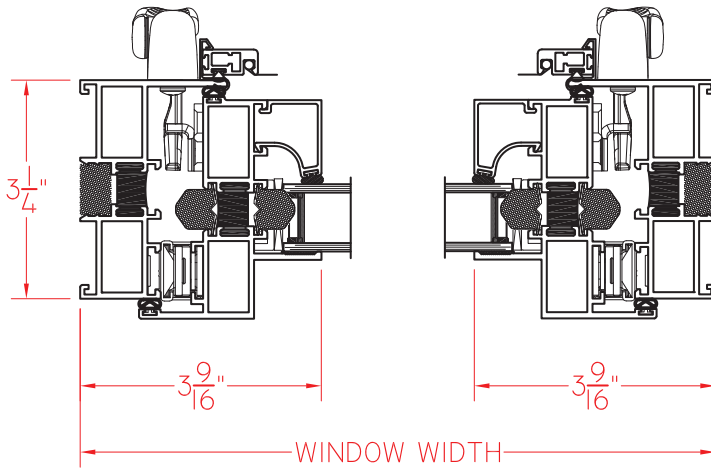
Operating Force: 12 lbf (maintain motion), 17 lbf (latches)
4 lbf (ADA Handle maintain motion), 2 lbf (ADA Handle latches)



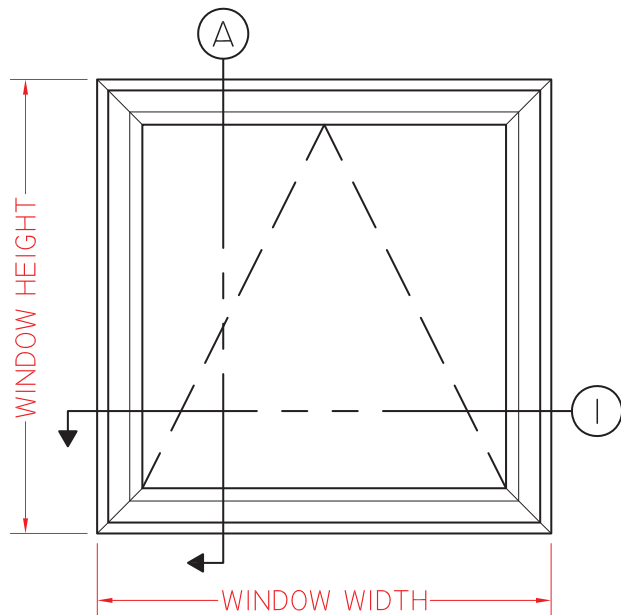
E600 PROJECT-OUT (CRANK OUT)

with 4-bar hinge system

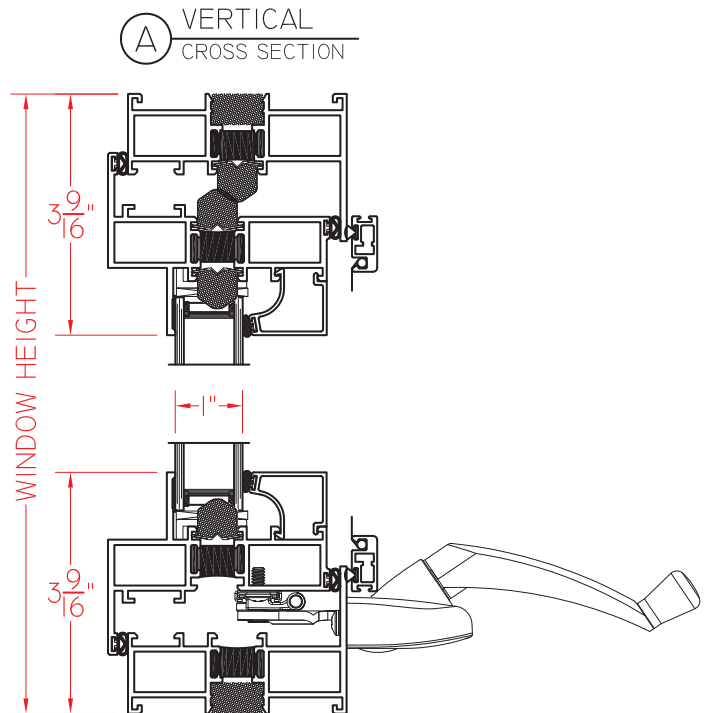
This document contains confidential and proprietary information intended for the private use of Quaker. © 2016 Quaker Window Products Co., INC. All rights reserved. Quaker reserves the right to change any/all designs without notice. Due to periodic re-certification requirements, result shown may vary.



① HORIZONTAL CROSS SECTION

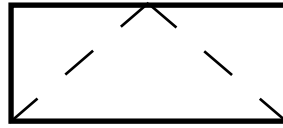


ELEVATION SCALE 3/4" = 1'-0"



Ⓐ VERTICAL CROSS SECTION

SCALE 1:3

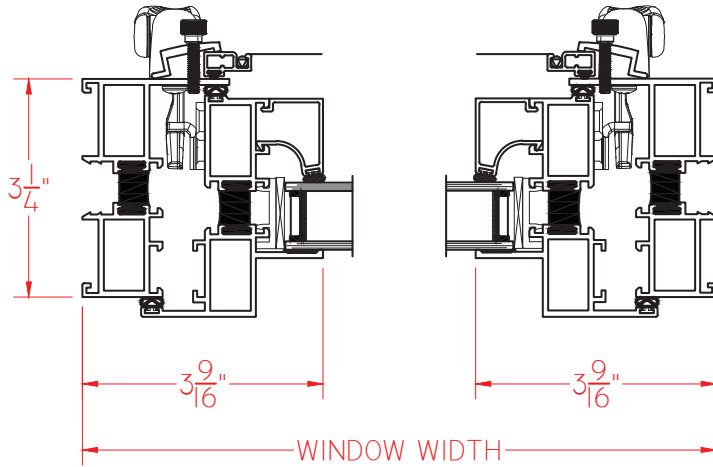


E600 Series 3 1/4" Frame Depth Project-Out

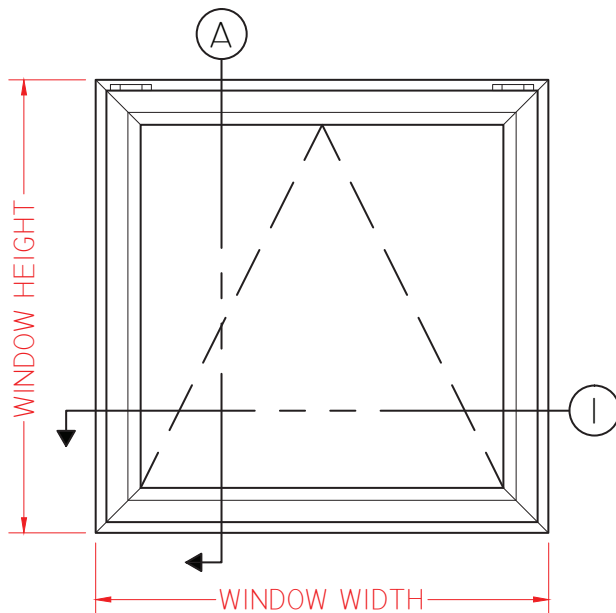
E600 PROJECT-OUT (CRANK OUT)

with butt
hinge system

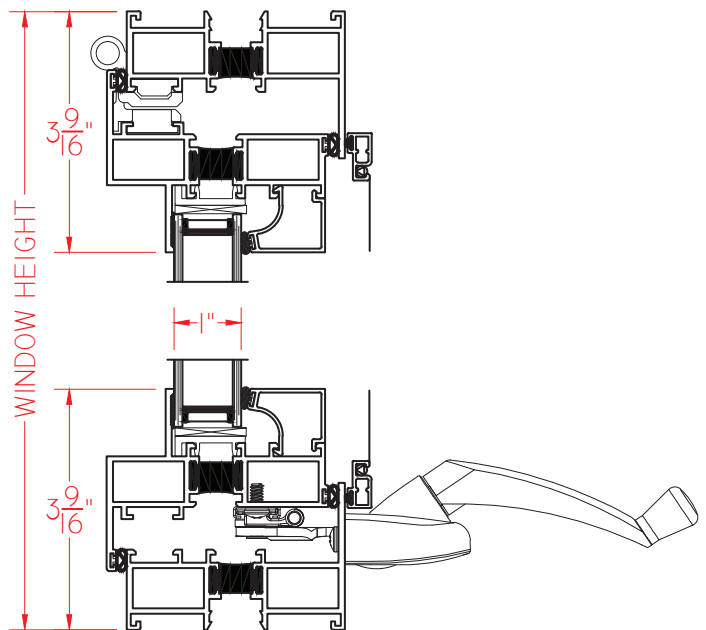
This document contains confidential and proprietary information intended for the private use of Quaker.
© 2016 Quaker Window Products Co., INC. All rights reserved.
Quaker reserves the right to change any/all designs without notice. Due to periodic re-certification requirements, result shown may vary.



① HORIZONTAL
CROSS SECTION



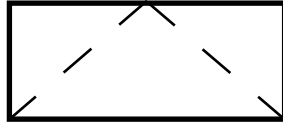
② VERTICAL
CROSS SECTION



SCALE 1:3

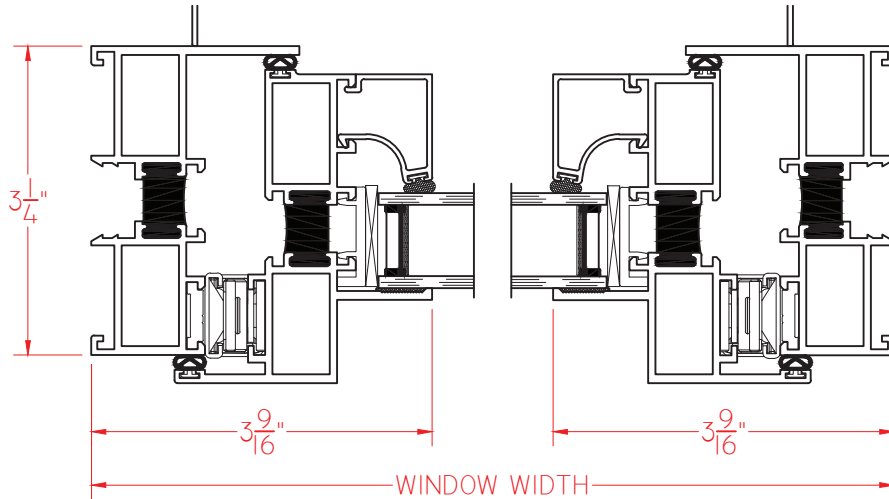
Our products are tested to the standards of and certified by some of the foremost organizations in the fenestration industry.





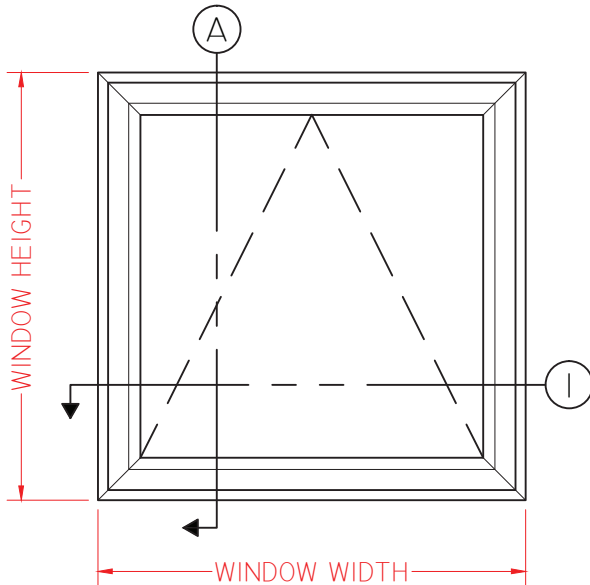
E600 PROJECT-OUT (PUSH OUT)

This document contains confidential and proprietary information intended for the private use of Quaker.
 © 2016 Quaker Window Products Co., INC. All rights reserved.
 Quaker reserves the right to change any/all designs without notice. Due to periodic re-certification requirements, result shown may vary.

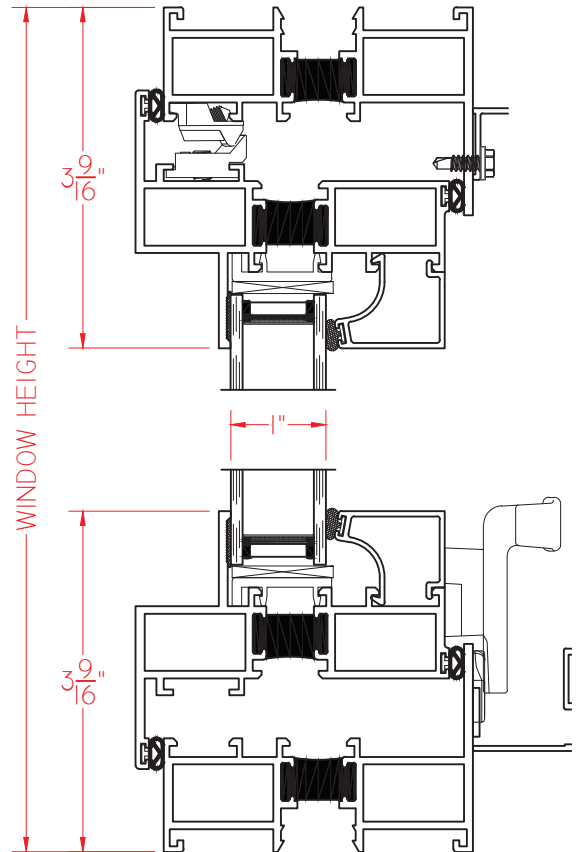


① HORIZONTAL CROSS SECTION

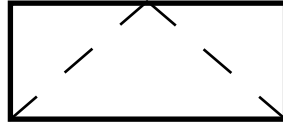
Ⓐ VERTICAL CROSS SECTION



ELEVATION SCALE 3/4" = 1'-0"



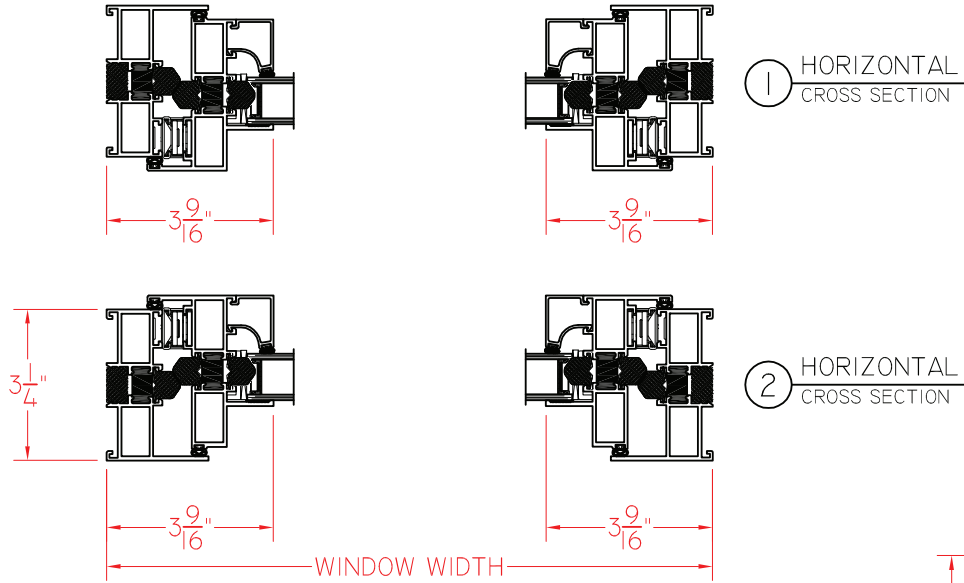
SCALE 1:2



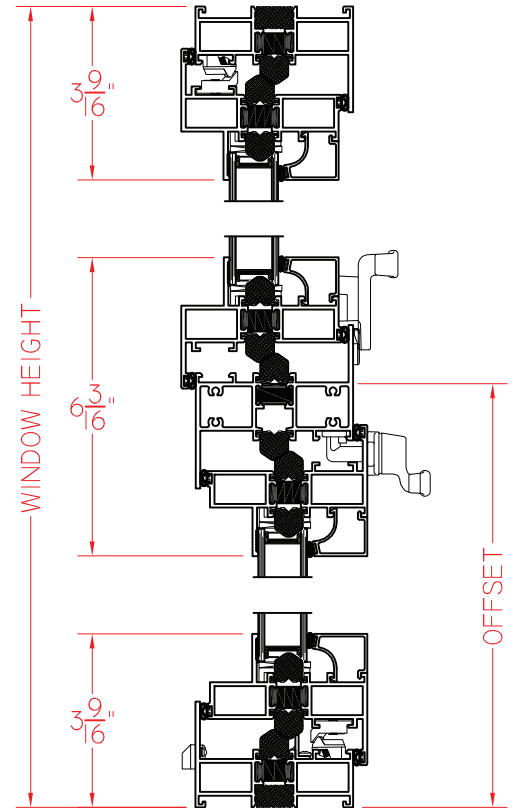
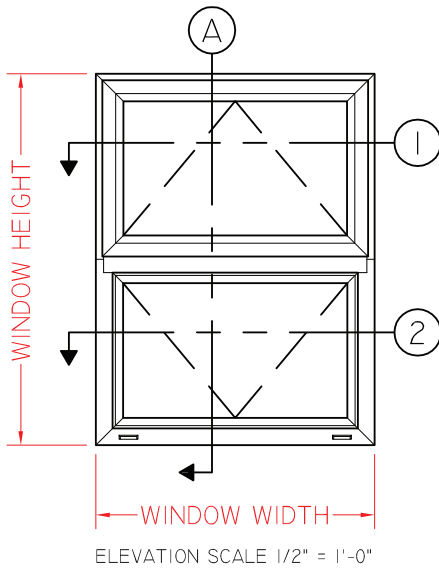
E600 Series 3 1/4" Frame Depth Project-Out

E600 PROJECT-OUT/PROJECT-IN (STACKED)

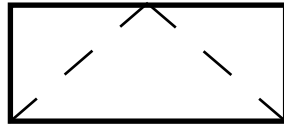
This document contains confidential and proprietary information intended for the private use of Quaker. © 2016 Quaker Window Products Co., INC. All rights reserved. Quaker reserves the right to change any/all designs without notice. Due to periodic re-certification requirements, result shown may vary.



Ⓐ VERTICAL CROSS SECTION



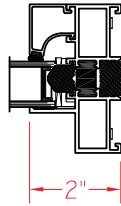
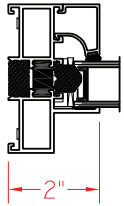
SCALE 1:4



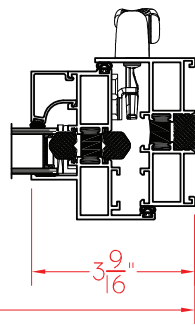
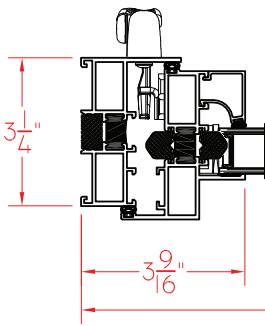
E600 Series 3 1/4" Frame Depth Project-Out

E600 FIXED/PROJECT-OUT (STACKED)

This document contains confidential and proprietary information intended for the private use of Quaker. © 2016 Quaker Window Products Co., INC. All rights reserved. Quaker reserves the right to change any/all designs without notice. Due to periodic re-certification requirements, result shown may vary.



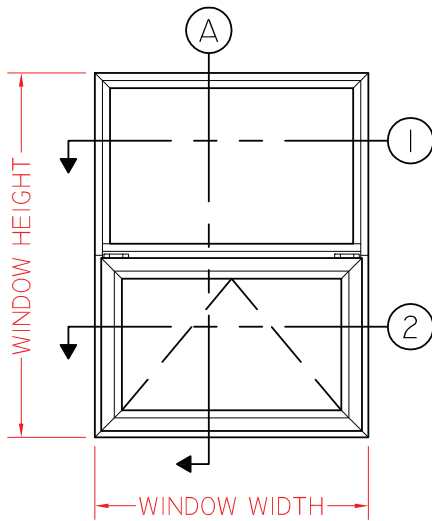
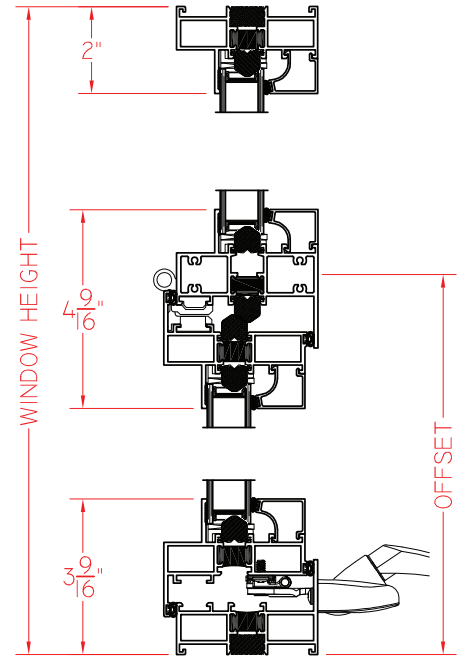
① HORIZONTAL CROSS SECTION



② HORIZONTAL CROSS SECTION

WINDOW WIDTH

Ⓐ VERTICAL CROSS SECTION



ELEVATION SCALE 1/2" = 1'-0"

SCALE 1:4

Our products are tested to the standards of and certified by some of the foremost organizations in the fenestration industry.

