

# M700 Series 3 1/4" Frame Depth Project-out

## M700 SERIES PROJECT-OUT

### FEATURES

- ◇ **Commercial Framing System**
  - 3 1/4" main frame
  - Sealable corner keys
  - Crimp/Screw connections
  - 0.094" wall thickness of interior and exterior walls, 0.070" wall thickness elsewhere
- ◇ **Enhanced Design**
  - Azo-braided channel receives Azon pour and debridge thermal break which is 1/2" wide in all main frame and vent rail extrusions
  - Clean squared edges
  - 3" narrow sitelines
- ◇ **Integral Nailing Fin**
- ◇ **Glazing**
  - Impact-rated insulating glass
- ◇ **Hardware**
  - Heavy-commercial Truth Contour™ locking system
  - Roto hardware with 4-Bar hinges
- ◇ **Screen**
  - Extruded aluminum screen frame with BetterVue™ mesh
- ◇ **Meets ADA Requirements** (ADA Handle Required)

### OPTIONS

- ◇ **Available Configurations**
  - Project-out
  - Crank-out
  - Wire frame capabilities
- ◇ **Muntin Choices**
  - Internal or simulated divided lites available
- ◇ **Limited travel hardware**
- ◇ **Screen**
  - Extruded aluminum screen frame with aluminum wire mesh
  - Extruded aluminum screen frame with Sunscreen mesh
  - Extruded aluminum screen frame with SeeVue mesh
  - Extruded aluminum screen frame with UltraVue mesh
- ◇ **Glazing**
  - Multiple Low-E and argon glazing choices
  - Capillary tubes
  - Wide variety of glazing, tinting and thickness options
- ◇ **Panning & Trim Choices**
  - Wide variety of panning, receptor and trim available

### BENEFITS

- ◇ Meets ASTM 1886 (Large Missile Impact testing)
- ◇ The capacity to match exterior colors for unique project facades
- ◇ The ability to facilitate large sizes for taller and wider window openings
- ◇ Modern appearance merged with superior structural integrity

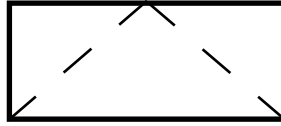
### PERFORMANCE

- ◇ **Structural & Thermal** (test reports or thermal simulations available upon request)

Model	Project-out
Test Size	48" x 60"
NAFS Rating	AW-PG70-AP
Structural Load P.S.F.	105
Air at 50 MPH (cfm/ft <sup>2</sup> )	<.10
Water (No Penetration) P.S.F.	15
CR (Condensation Resistance)	Contact Quaker
U-Value (ranges based on multiple Low-E/Argon combinations)	Contact Quaker
SHGC (ranges based on multiple Low-E/Argon combinations)	Contact Quaker
Missile Level	D
Wind Zone	4

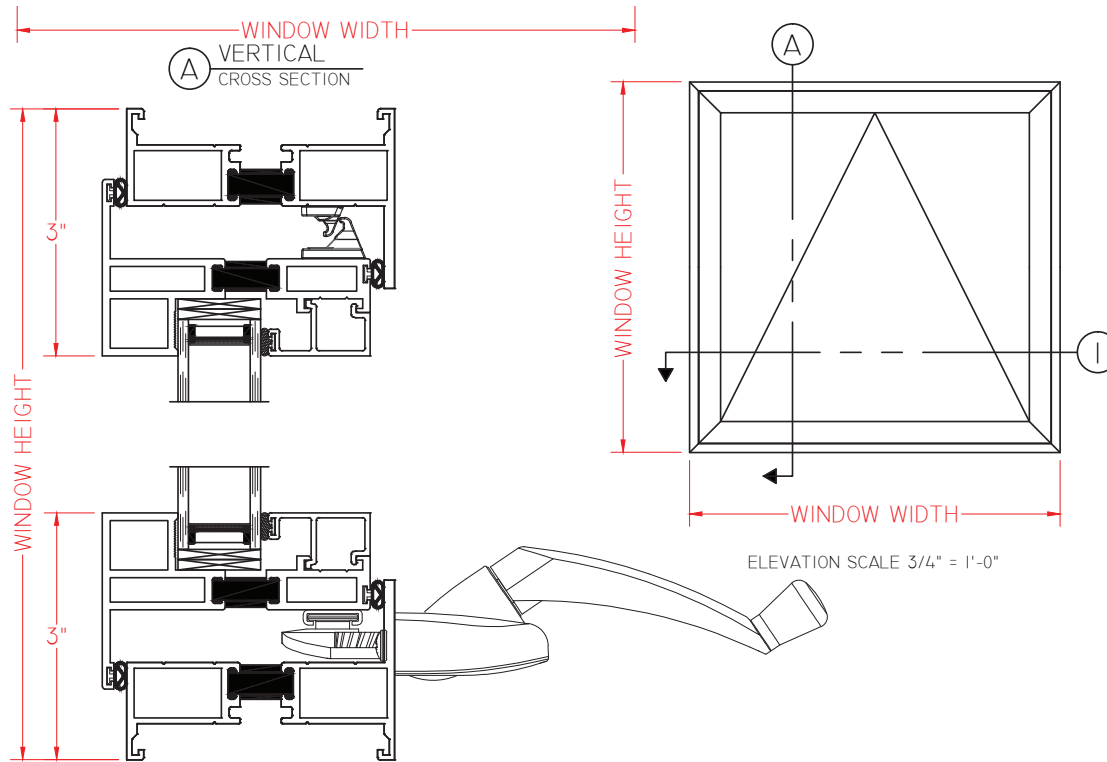
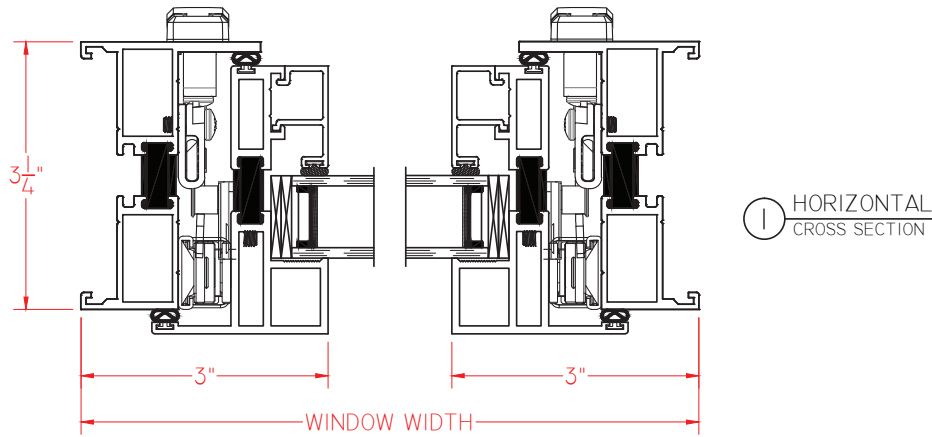
Our products are tested to the standards of and certified by some of the foremost organizations in the fenestration industry.





# M700 SERIES PROJECT-OUT

This document contains confidential and proprietary information intended for the private use of Quaker.  
 © 2021 Quaker Window Products Co., INC. All rights reserved.  
 Quaker reserves the right to change any/all designs without notice. Due to periodic re-certification requirements, result shown may vary.



SCALE 1:2

Our products are tested to the standards of and certified by some of the foremost organizations in the fenestration industry.

