



**M600 Series**  
**3 ¼” Frame Depth**  
**Fixed**

## M600 SERIES FIXED

### FEATURES

- ◇ Commercial Framing System
  - 3 ¼” main frame
  - Sealable corner keys
  - Crimp/Screw connections
  - 0.094” wall thickness of interior and exterior walls, 0.070” wall thickness elsewhere
- ◇ Enhanced Design
  - Azo-braided channel receives Azon pour and debridge thermal break which is ½” wide in all main frame and vent rail extrusions
  - Clean squared edges
  - 1 ⅞” narrow sitelines
- ◇ Glazing
  - 1” insulated glass

### OPTIONS

- ◇ Available Configurations
  - Fixed
  - Continuous Frame capabilities
- ◇ Muntin Choices
  - Internal or simulated divided lites available
- ◇ Nailing Fin
- ◇ Glazing
  - Multiple Low-E and argon glazing choices
  - 1 ⅜” Triple glazing (Energy TG)
  - Capillary tubes
  - Wide variety of glazing, tinting and thickness options
- ◇ Panning & Trim Choices
  - Wide variety of panning, receptor and trim available
  - Jamb filler
- ◇ Mulling
  - Wide variety of structural mulls

### BENEFITS

- ◇ The capacity to match exterior colors for unique project facades
- ◇ The ability to facilitate large sizes for taller and wider window openings
- ◇ Modern appearance merged with superior structural integrity

### PERFORMANCE

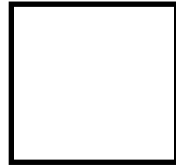
- ◇ Structural & Thermal (test reports or thermal simulations available upon request)

Model	Fixed
Test Sizes	72” x 120”
NAFS Rating	AW-PG70-FW
Structural Load P.S.F.	105.27
Air at 50 MPH (cfm/ft <sup>2</sup> )	<0.10
Water (No Penetration) P.S.F.	12.11
CR (Condensation Resistance)	45-60
U-Value	0.18-0.32
SHGC	0.13-0.56
STC/OITC	32-43 / 26-33

Thermal values shown are a range based on Quaker’s most popular glass package options. Other available glass options may result in scores outside of the range shown.

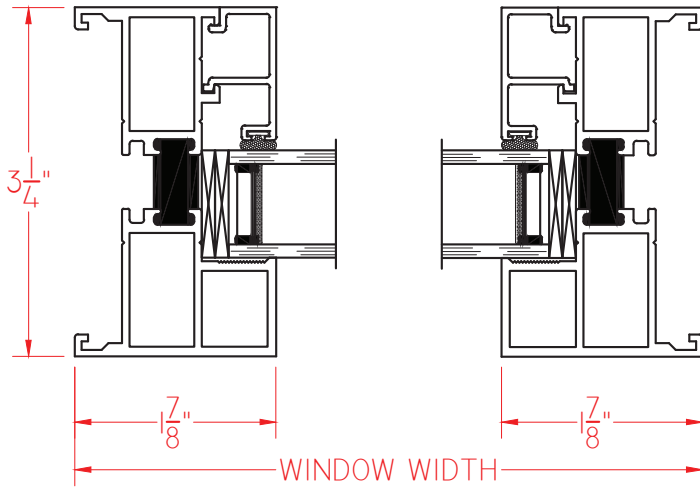
Our products are tested to the standards of and certified by some of the foremost organizations in the fenestration industry.



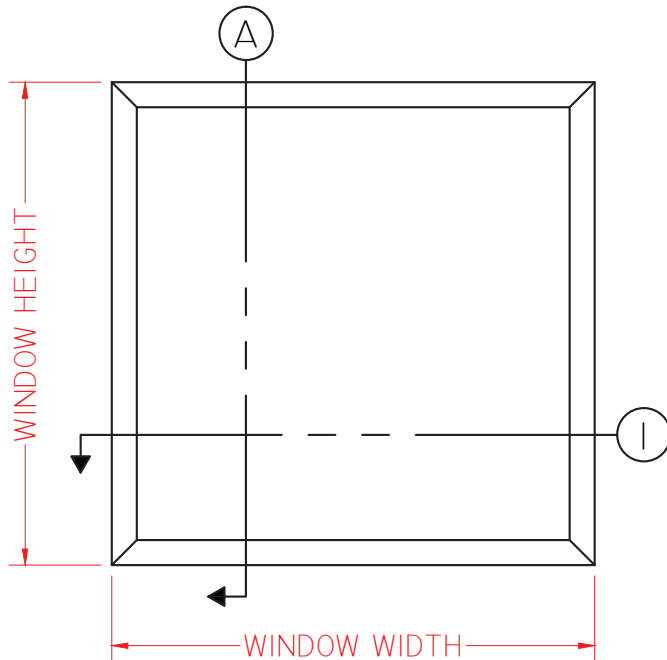


# M600 SERIES FIXED WITHOUT NAILING FIN

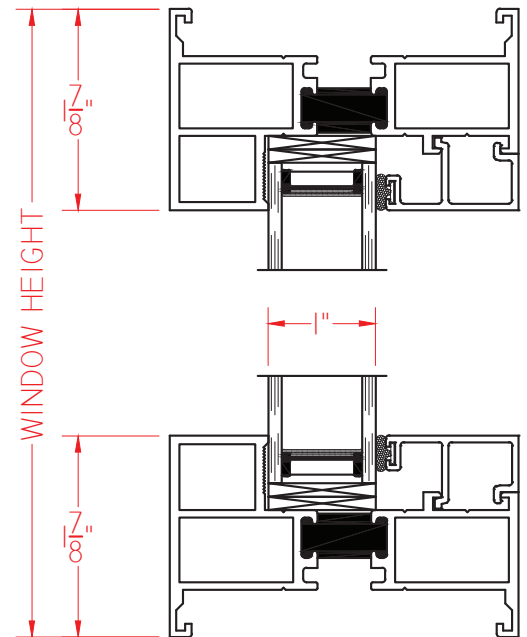
This document contains confidential and proprietary information intended for the private use of Quaker.  
 © 2016 Quaker Window Products Co., INC.  
 All rights reserved.  
 Quaker reserves the right to change any/all designs without notice. Due to periodic re-certification requirements, result shown may vary.



① HORIZONTAL CROSS SECTION



Ⓐ VERTICAL CROSS SECTION



ELEVATION SCALE  $3/4" = 1'-0"$

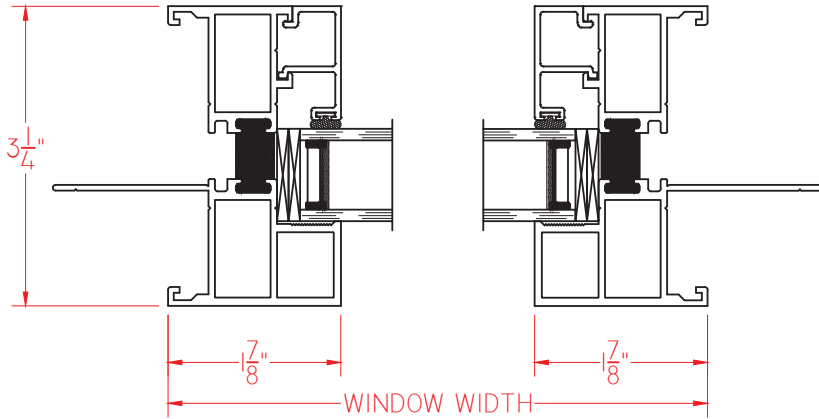
Our products are tested to the standards of and certified by some of the foremost organizations in the fenestration industry.





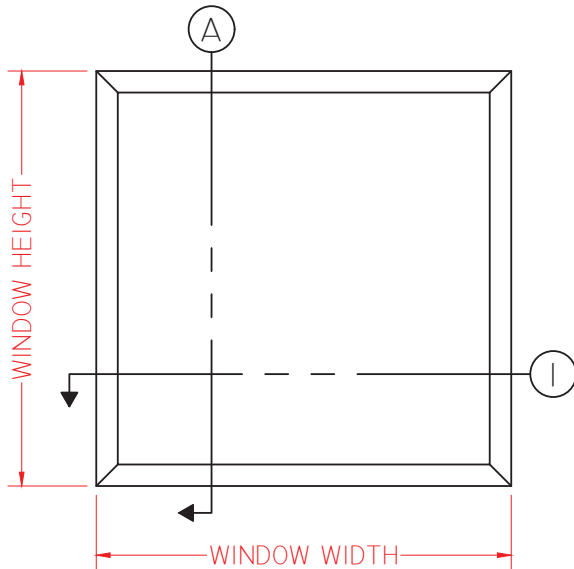
**M600 SERIES FIXED WITH NAILING FIN**

This document contains confidential and proprietary information intended for the private use of Quaker.  
 © 2016 Quaker Window Products Co., INC. All rights reserved.  
 Quaker reserves the right to change any/all designs without notice. Due to periodic re-certification requirements, result shown may vary.

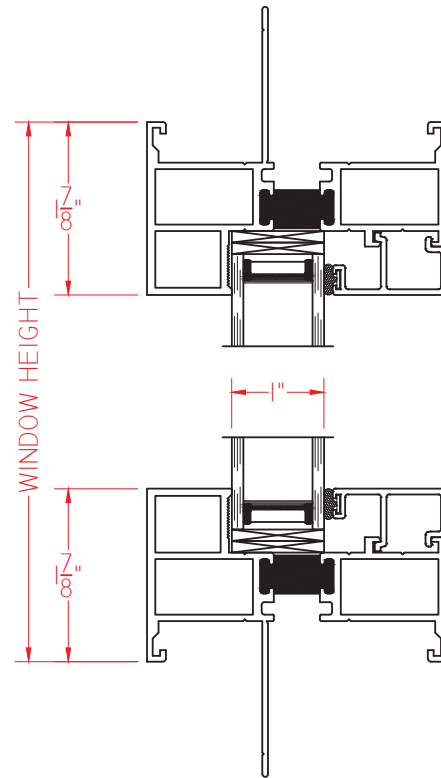


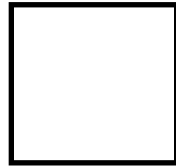
① HORIZONTAL CROSS SECTION

Ⓐ VERTICAL CROSS SECTION



ELEVATION SCALE 3/4" = 1'-0"

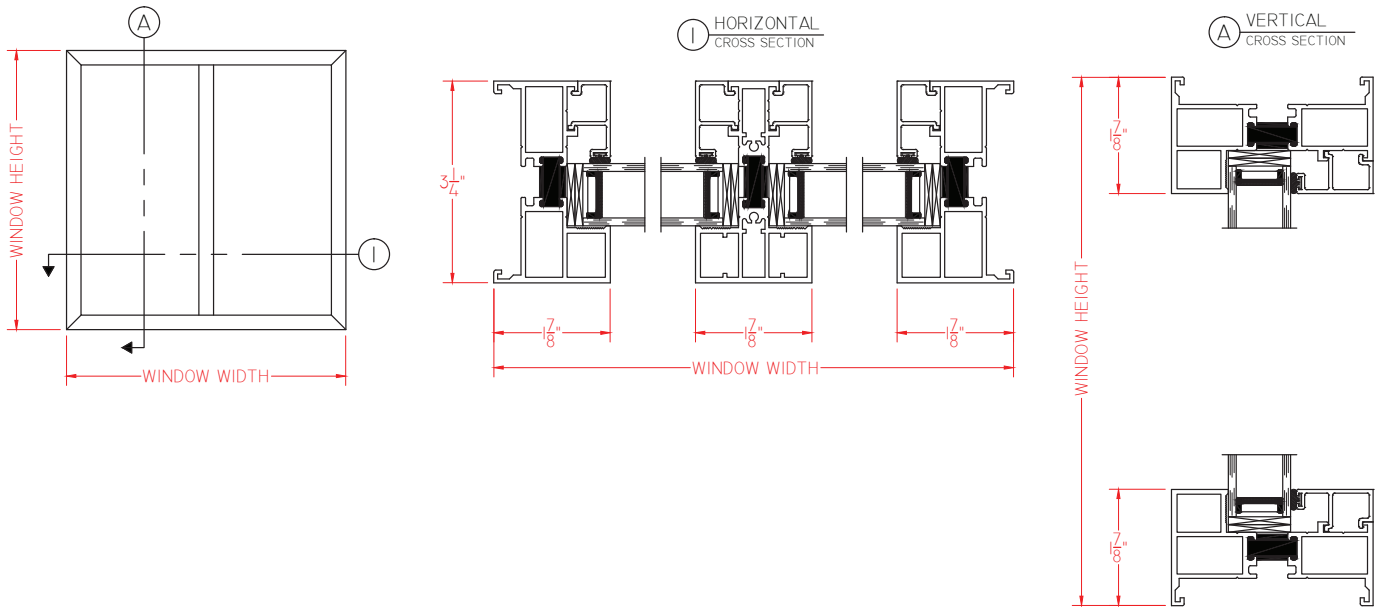




# M600 SERIES FIXED/FIXED - SIDE BY SIDE

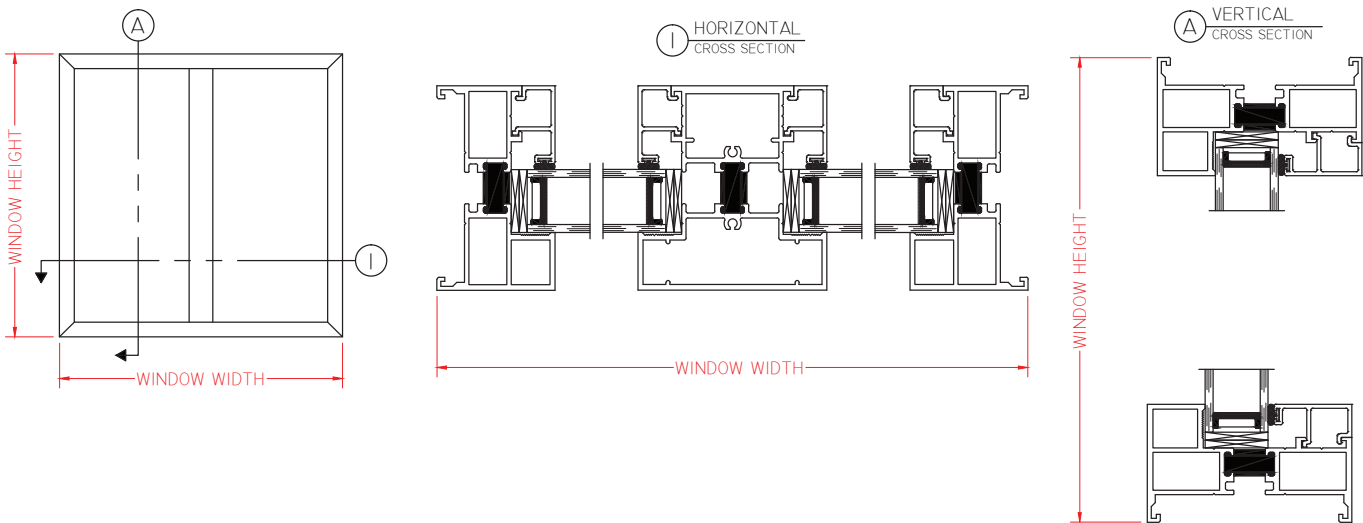
Meeting Rail with Narrow 1 7/8" Sightline

This document contains confidential and proprietary information intended for the private use of Quaker.  
 © 2016 Quaker Window Products Co., INC. All rights reserved.  
 Quaker reserves the right to change any/all designs without notice. Due to periodic re-certification requirements, result shown may vary.



SCALE 1:2

Double Jamb with Wide 3" Sightline



SCALE 1:2

Our products are tested to the standards of and certified by some of the foremost organizations in the fenestration industry.

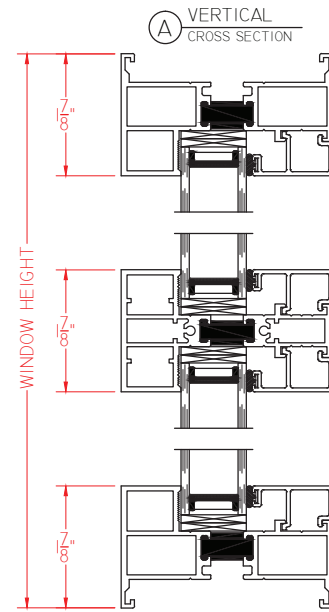
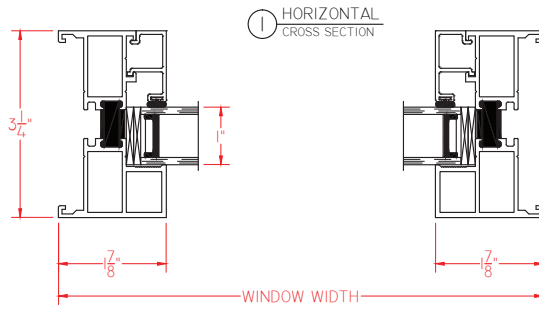
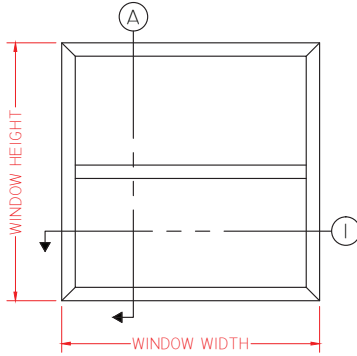




# M600 SERIES FIXED/FIXED - STACKED

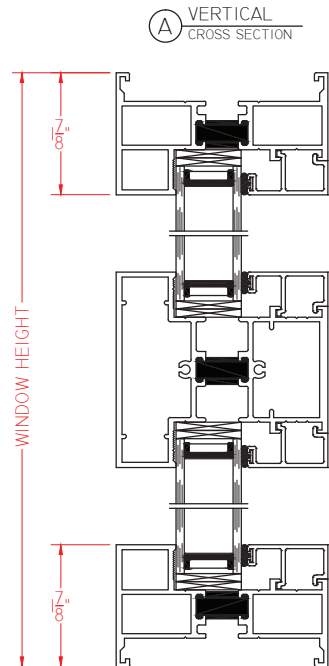
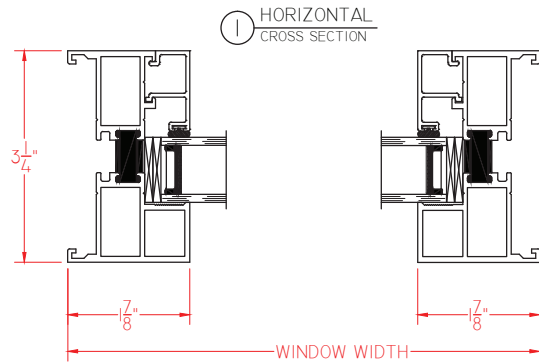
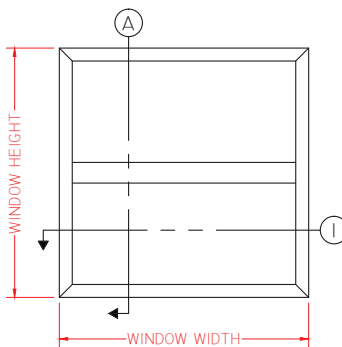
Meeting Rail with Narrow 1 7/8" Sightline

This document contains confidential and proprietary information intended for the private use of Quaker.  
© 2016 Quaker Window Products Co., INC. All rights reserved.  
Quaker reserves the right to change any/all designs without notice. Due to periodic re-certification requirements, result shown may vary.



SCALE 1:2

Double Jamb with Wide 3" Sightline



SCALE 1:2

Our products are tested to the standards of and certified by some of the foremost organizations in the fenestration industry.

