



M600/M605 4 1/2" Frame Depth Outswing Terrace Door w/Low-Profile Sill

M600/M605 SERIES OUTSWING TERRACE DOOR WITH LOW-PROFILE SILL

FEATURES

- ◇ Commercial Framing System
 - 4 1/2' main frame
 - Extruded wall thickness of 0.125" for all outside walls
 - Extruded wall thickness of 0.070" for all inside walls
 - 1/2" Low-profile sill
 - 10" bottom rail
- ◇ Thermally Enhanced Design
 - Heavy-duty corner keys internally sealed to eliminate sag
- ◇ Glazing
 - 1" tempered insulated glass
 - Square, contemporary glazing stops (M600 Series) or Beveled glazing stops (M605 Series)
- ◇ Hardware
 - Adjustable hinges
 - 2-way adjustable hinge (optional 3-way available)
 - 5-point locking system for added security
 - Stylish handle sets add modern touch

OPTIONS

- ◇ Available Configurations
 - Single Panel or Double Panel
 - Inswing or Outswing
 - Matching transoms and sidelites
 - Standard or custom sizing
- ◇ Construction
 - Positioning fin
- ◇ Muntin Choices
 - Internal or simulated divided lites available
- ◇ Hardware
 - Surface mounted closure
- ◇ Glazing
 - Multiple Low-E and argon glazing choices
 - Up to 1 3/8" thickness of I.G. available
 - Impact Glazing
 - Sound attenuation glazing packages for STC/OITC
- ◇ Panning & Trim Choices
 - Structural mullions
 - Wide variety of panning, receptor and trim available

BENEFITS

- ◇ The capacity to match exterior colors for unique project facades

PERFORMANCE

- ◇ Structural & Thermal (test reports or thermal simulations available upon request)

Model	M600/M605 Low-Profile Outswing Terrace Door
	Single Panel
Test Size	48" x 96"
NAFS Rating	AW-PG50-ATD
Structural Load P.S.F.	75
Air Infiltration	<0.30
Water (No Penetration) P.S.F.	12.11
U-Value (ranges based on multiple Low-E/Argon combinations)	0.39-0.45
SHGC (ranges based on multiple Low-E/Argon combinations)	0.12-0.43

Our products are tested to the standards of and certified by some of the foremost organizations in the fenestration industry.



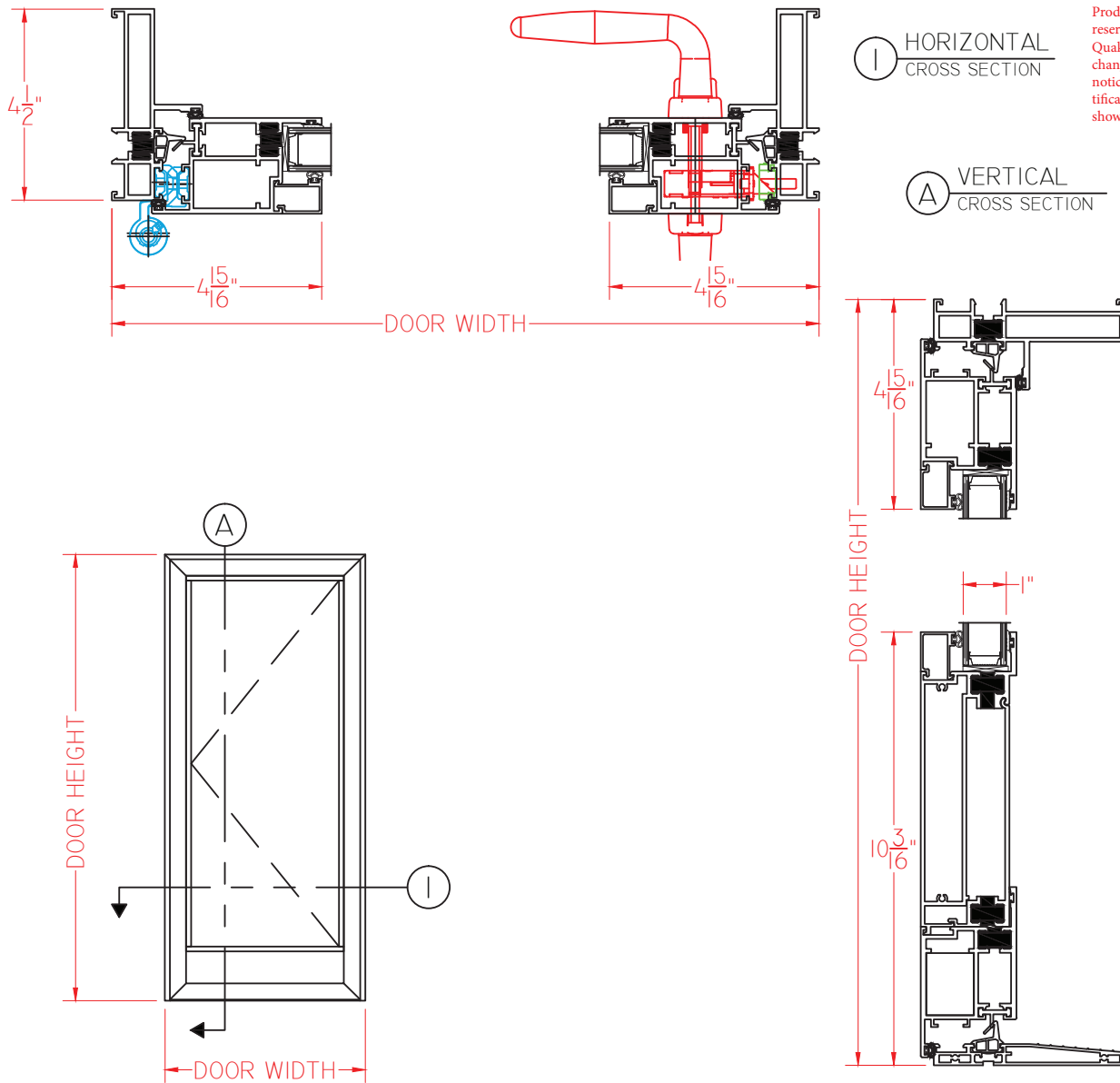


M600 4 1/2" Frame Depth Low-Profile Outswing Terrace Door and square glazing stops

M600 SERIES OUTSWING TERRACE DOOR

WITH
LOW-PROFILE
SILL

This document contains confidential and proprietary information intended for the private use of Quaker. © 2018 Quaker Window Products Co., INC. All rights reserved. Quaker reserves the right to change any/all designs without notice. Due to periodic re-certification requirements, result shown may vary.



Our products are tested to the standards of and certified by some of the foremost organizations in the fenestration industry.



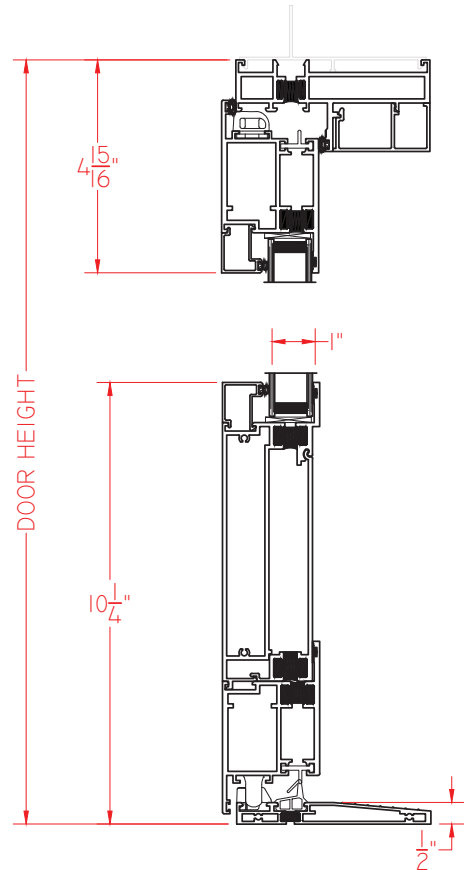
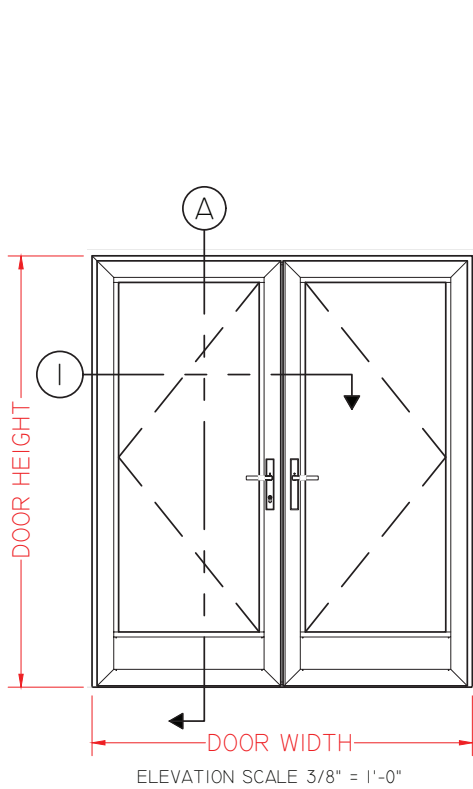
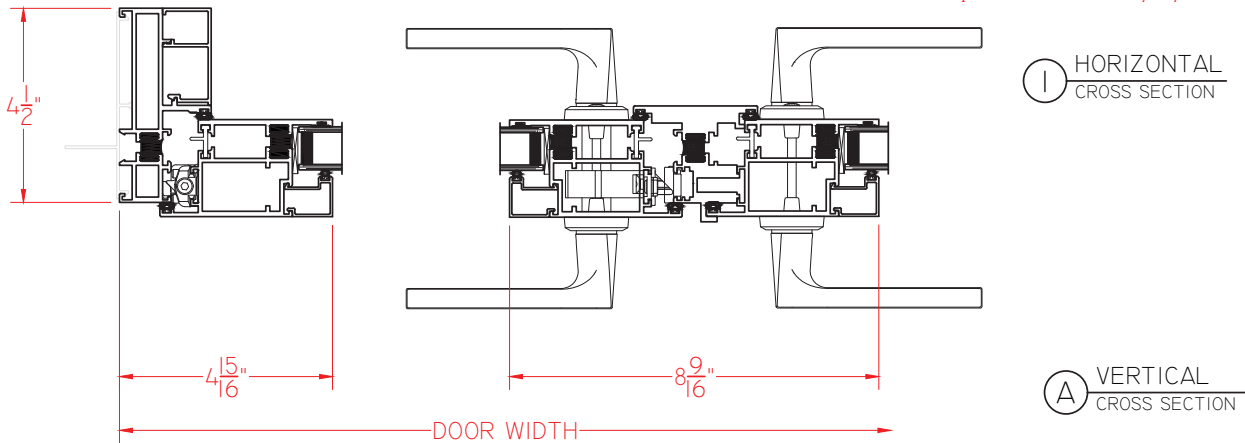


M600 4 1/2" Frame Depth Low-Profile Outswing Terrace Door and square glazing stops

M600 SERIES OUTSWING FRENCH TERRACE DOOR

WITH
LOW-PROFILE
SILL

This document contains confidential and proprietary information intended for the private use of Quaker.
© 2018 Quaker Window Products Co., INC. All rights reserved.
Quaker reserves the right to change any/all designs without notice. Due to periodic re-certification requirements, result shown may vary.



SCALE 1:4

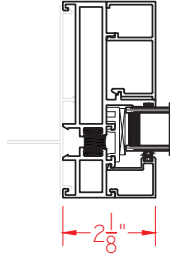
Our products are tested to the standards of and certified by some of the foremost organizations in the fenestration industry.



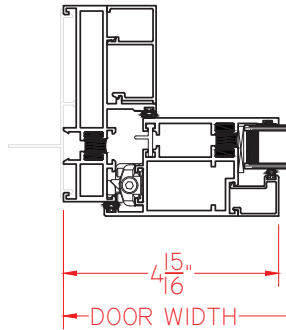
M600 SERIES OUTSWING FRENCH TERRACE DOOR WITH LOW-PROFILE SILL

This document contains confidential and proprietary information intended for the private use of Quaker.
© 2018 Quaker Window Products Co., INC. All rights reserved.
Quaker reserves the right to change any/all designs without notice. Due to periodic re-certification requirements, result shown may vary.

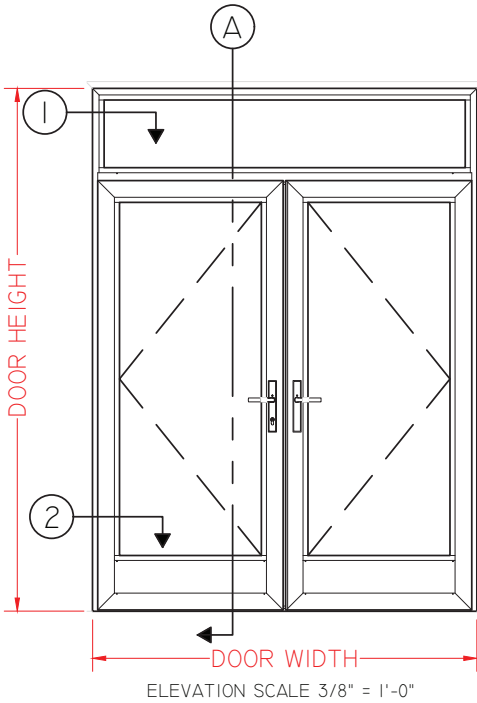
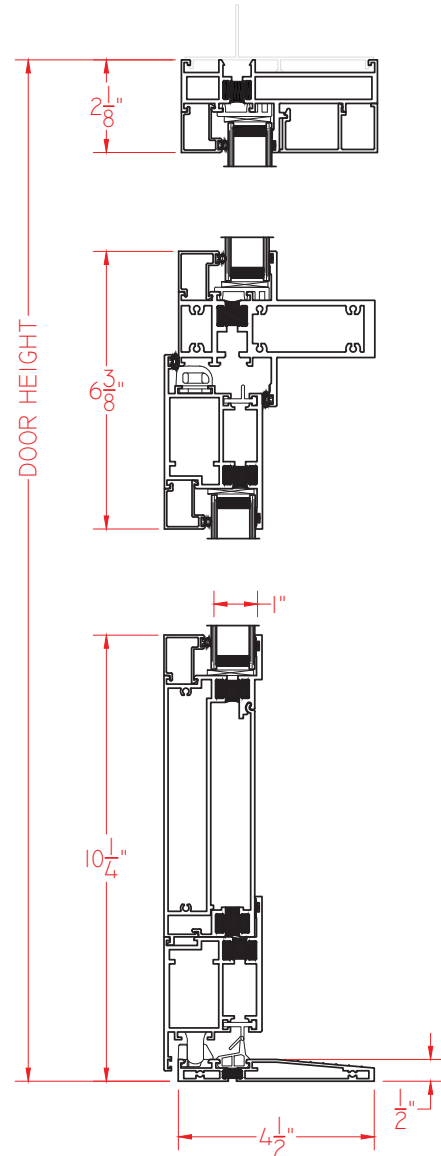
① HORIZONTAL CROSS SECTION



② HORIZONTAL CROSS SECTION



Ⓐ VERTICAL CROSS SECTION



SCALE 1:4

Our products are tested to the standards of and certified by some of the foremost organizations in the fenestration industry.



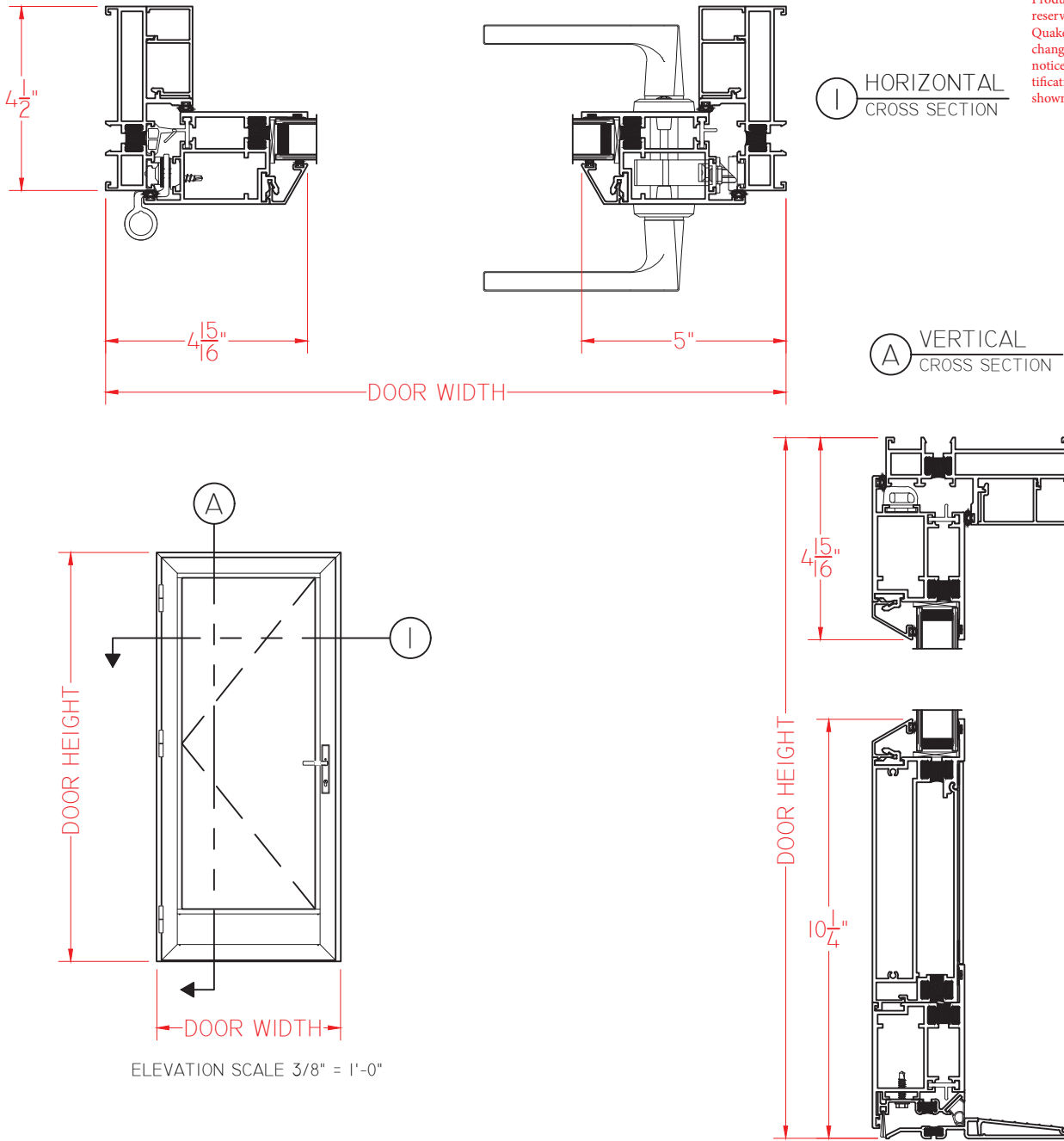


M605 4 1/2" Frame Depth Low-Profile Outswing Terrace Door and beveled glazing stops

WITH
LOW-PROFILE
SILL

M605 SERIES OUTSWING TERRACE DOOR

This document contains confidential and proprietary information intended for the private use of Quaker. © 2018 Quaker Window Products Co., INC. All rights reserved. Quaker reserves the right to change any/all designs without notice. Due to periodic re-certification requirements, result shown may vary.



SCALE 1:4

Our products are tested to the standards of and certified by some of the foremost organizations in the fenestration industry.

