



M600 5" Frame Depth Sliding Door

M600 SERIES SLIDING DOOR

FEATURES

- ◇ Commercial Framing System
 - 5" main frame
 - 3 5/8" sill height
 - 0.070 extruded wall thickness of frame
 - 0.062" extruded wall thickness of sash
 - Frames shipped K.D.
- ◇ Thermally Enhanced Design
 - Azon pour and debridge thermal break is 1/2" wide in all main frame and vent rail extrusions
 - Internal weep system for effective water drainage
 - Steel Roller System
 - Mitered panels with heavy-duty corner keys
- ◇ Integral Nailing Fin
- ◇ Glazing
 - 1" tempered insulated glass
- ◇ Hardware
 - Heavy-duty steel rollers operate in stainless steel roller track, making operation easy and smooth
 - D-Loop Handle hardware (interior & exterior)
- ◇ Screen
 - Extruded aluminum screen frame with BetterVue™ mesh

BENEFITS

- ◇ The capacity to match exterior colors for unique project facades
- ◇ The ability to facilitate custom sizes for taller and wider door openings

OPTIONS

- ◇ Available Configurations
 - Fixed-Active
 - Active-Fixed
 - Fixed-Active-Fixed
 - Fixed-Fixed-Active
 - Active-Fixed-Fixed
 - Fixed-Active-Active-Fixed
- ◇ Muntin Choices
 - Internal or simulated divided lites available
- ◇ Screen
 - Extruded aluminum screen frame with aluminum wire mesh
 - Extruded aluminum screen frame with sunscreen mesh
 - Extruded aluminum screen frame with stainless steel 0.009" thickness mesh
- ◇ Glazing
 - Up to 1 3/8" thickness of I.G. available
 - Variety of Energy-Efficient glass packages
 - Impact Glazing
- ◇ Hardware
 - Premium 2" roller system
 - Flush Handle hardware
- ◇ Panning & Trim Choices
 - Structural Transition mulls
 - Wide variety of panning, receptor and trim available

PERFORMANCE

- ◇ Structural & Thermal (test reports or thermal simulations available upon request)

Model	Sliding Door
	Active-Fixed
Test sizes	123" x 96"
AAMA/WDMA/CSA 101/I.S.2/A440-08 Rating	AW-PG50-SGD
Structural Load P.S.F.	75
Air at 50 MPH (cfm/ft ²)	<0.30
Water (No Penetration) P.S.F.	12
U-Value (ranges based on multiple Low-E/Argon combinations)	0.36-0.41
SHGC (ranges based on multiple Low-E/Argon combinations)	0.14-0.49

Operating Force:
(per ASTM E2068)

M300 Active-Fixed
22 N (5 lbf) - Initiate Motion
22 N (5 lbf) Maintain Motion
9 N (2 lbf) (locks)

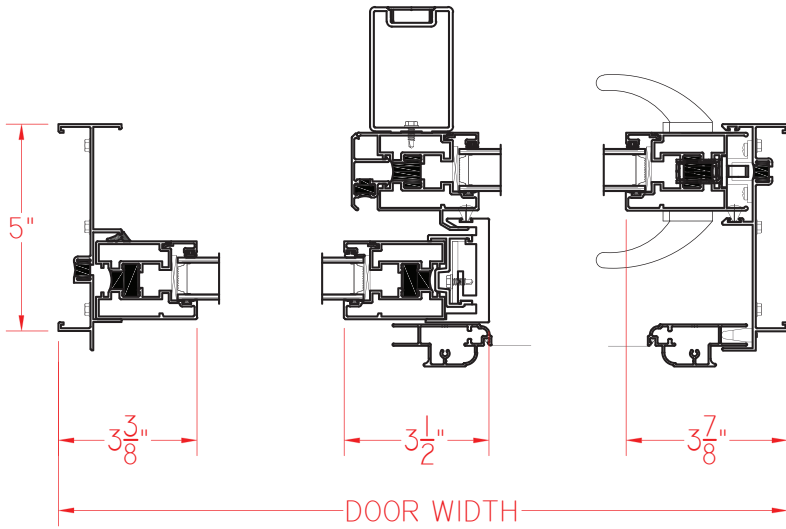
M600 Active-Fixed
53 N (12 lbf) - Initiate Motion
58 N (13 lbf) Maintain Motion
18 N (4 lbf) (locks)

Our products are tested to the standards of and certified by some of the foremost organizations in the fenestration industry.



M600 SERIES SLIDING DOOR (FIXED/ACTIVE)
AS VIEWED FROM EXTERIOR

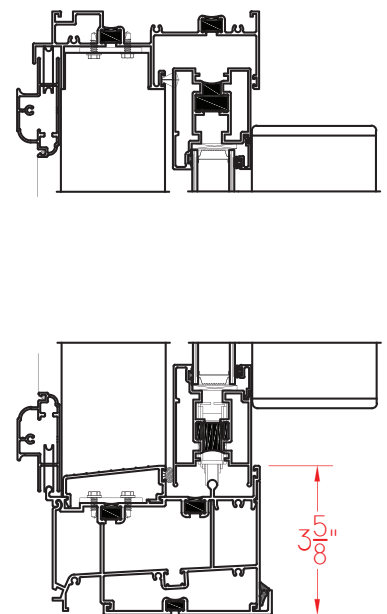
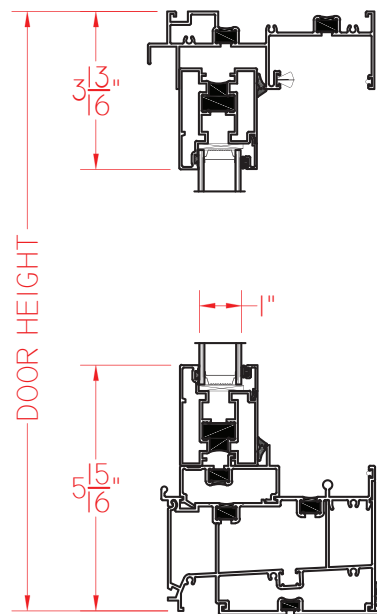
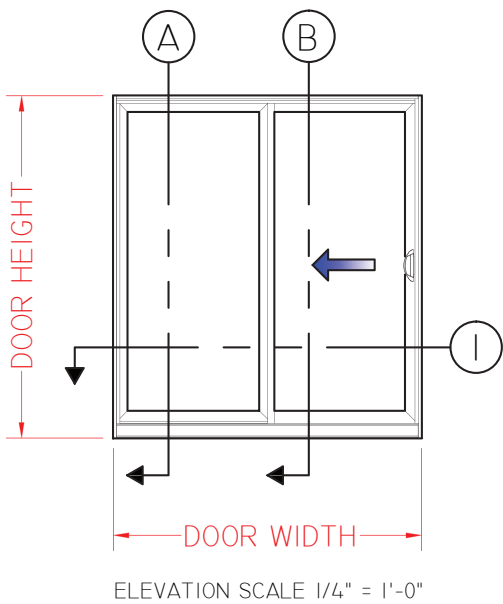
This document contains confidential and proprietary information intended for the private use of Quaker.
© 2019 Quaker Window Products Co., INC. All rights reserved.
Quaker reserves the right to change any/all designs without notice. Due to periodic re-certification requirements, result shown may vary.



① HORIZONTAL CROSS SECTION

Ⓐ VERTICAL CROSS SECTION

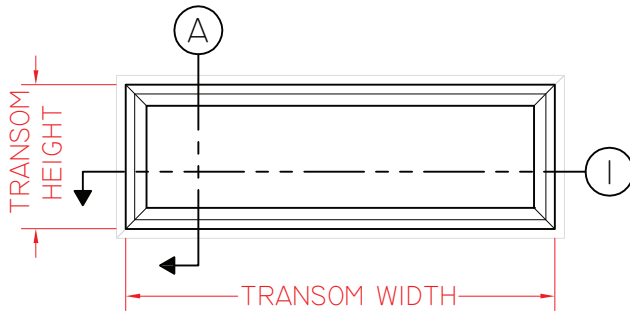
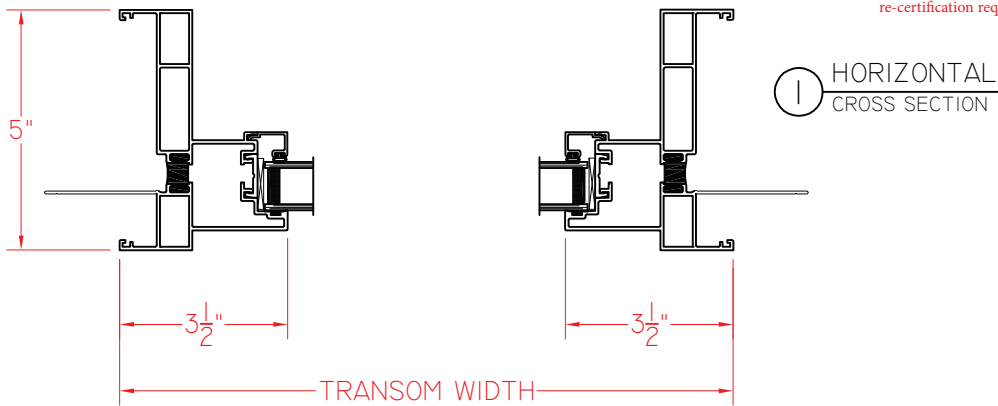
Ⓑ VERTICAL CROSS SECTION



SCALE 1:5

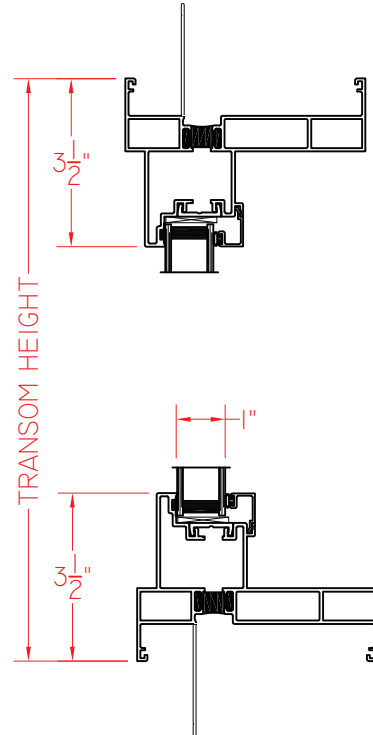
M600 SERIES TRANSOM

This document contains confidential and proprietary information intended for the private use of Quaker.
© 2019 Quaker Window Products Co., INC. All rights reserved.
Quaker reserves the right to change any/all designs without notice. Due to periodic re-certification requirements, result shown may vary.



ELEVATION SCALE 3/8" = 1'-0"

(A) VERTICAL CROSS SECTION



Our products are tested to the standards of and certified by some of the foremost organizations in the fenestration industry.

