

V100 Series 2 3/4" Frame Depth Horizontal Slider

V100 SERIES HORIZONTAL SLIDER

FEATURES

- ◇ **Framing System**
 - 2 3/4" main frame
- ◇ **Enhanced Design**
 - Mitered and welded corners
 - Integral Nailing Fin
- ◇ **Glazing**
 - 3/4" insulating glass
- ◇ **Hardware**
 - Brass rollers with stainless steel axle pins for easy operation
- ◇ **Screen**
 - Half screen
 - Extruded aluminum frame with BetterVue™ mesh with WaterShed® technology
- ◇ **Colors**
 - White vinyl (interior/exterior)

OPTIONS

- ◇ **Available Configurations**
 - Fixed-Active
 - Active-Fixed
- ◇ **Muntin Choices**
 - 5/8" Internal lites available
- ◇ **J-Channel Snap-on Trim**
- ◇ **Screen**
 - Available without screen
- ◇ **Glazing**
 - EnergyBasic Low-E Glass
 - Energy 3S Low-E glass
 - Capillary tubes
- ◇ **Mulling**
 - Choose from standard zero mull or 1/2" structural mull
- ◇ **Color**
 - High-performance Textured Black laminate (exterior only with White vinyl interior)
 - Limitations on availability may apply

BENEFITS

- ◇ Perfect value-engineered product for commercial projects 3-stories and less
- ◇ Integral Nail Fin system allows the V100 Series to adapt to any project's build

PERFORMANCE

- ◇ Structural & Thermal (test reports and thermal simulations available upon request)

Model	Slider
AAMA/WDMA/CSA 101/I.S.2/A440-08 Rating	R-40
Test Size	63" x 44"
Design Pressure (P.S.F.)	60.15
Air Infiltration at 25 MPH (cfm/ft ²)	<0.30
Water Resistance (P.S.F.)	6.06
CR (Condensation Resistance) (with Low-E/argon)	61
U-Value (with EnergyBasic or Energy 3S glass package)	0.29 - 0.30
SHGC (with EnergyBasic or Energy 3S glass package)	0.22 - 0.33

CR, U-Value and SHGC values shown are a range based on the glass packages available for this product. Test results were achieved through all-window testing (not center-of-glass testing), and without grids. The addition of optional grids may cause the results to vary slightly.

Operating Force: 24 lbf (Initiate motion), 7 lbf (Maintain motion), 1 lbf (Locks)

Our products are tested to the standards of and certified by some of the foremost organizations in the fenestration industry.

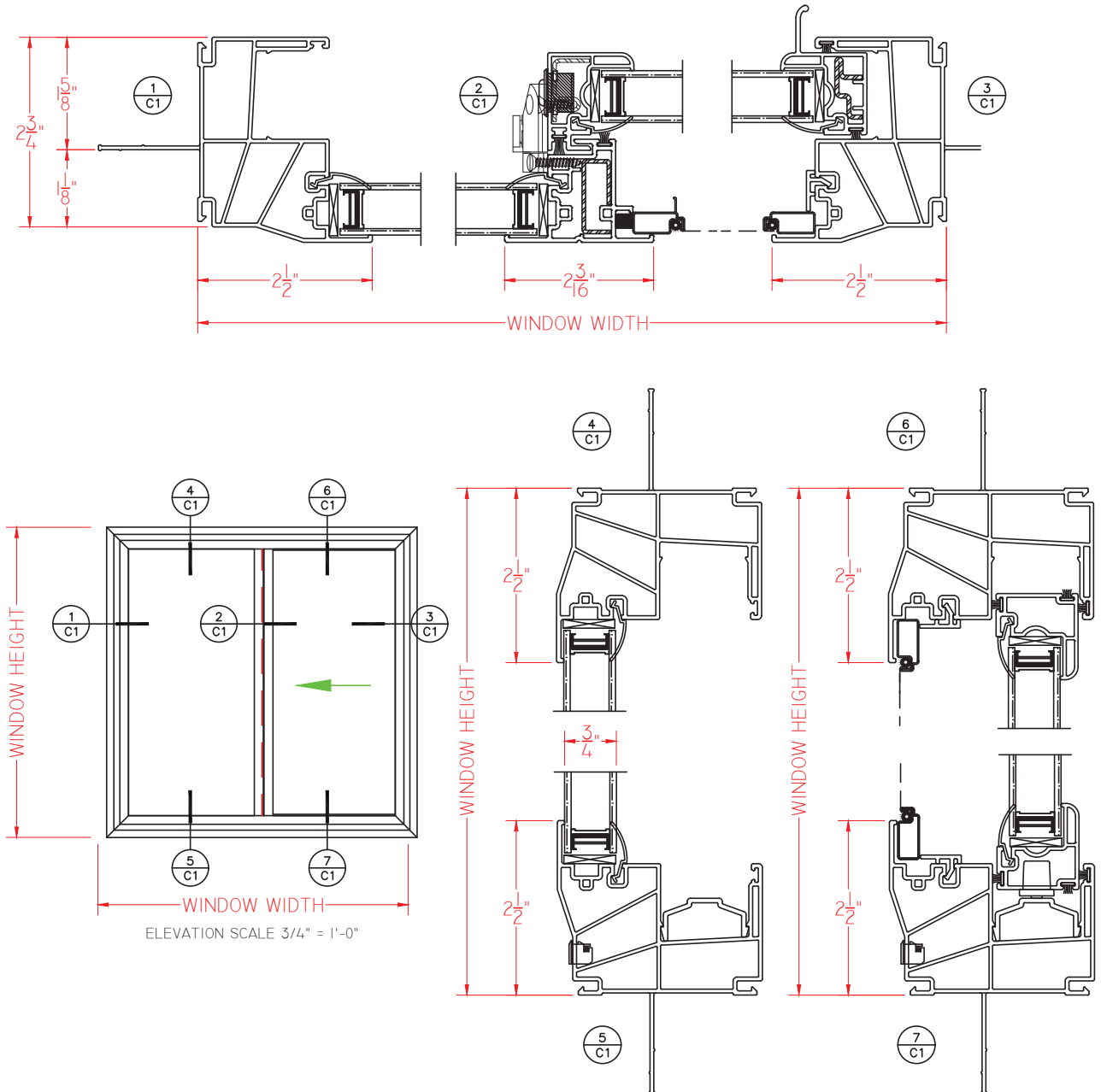




V100 Series 2 3/4" Frame Depth Horizontal Slider

V100 SERIES HORIZONTAL SLIDER

This document contains confidential and proprietary information intended for the private use of Quaker.
 © 2019 Quaker Window Products Co., INC. All rights reserved.
 Quaker reserves the right to change any/all designs without notice. Due to periodic re-certification requirements, result shown may vary.



SCALE 6"=1'-0"

Our products are tested to the standards of and certified by some of the foremost organizations in the fenestration industry.

