



# V100 Series 2 3/4" Frame Depth Picture Window (Fixed)

## V100 SERIES PICTURE WINDOW (FIXED)

### FEATURES

- ◇ **Framing System**
  - 2 3/4" main frame
- ◇ **Enhanced Design**
  - Mitered and welded corners
  - Integral Nailing fin
- ◇ **Glazing**
  - 3/4" insulating glass
- ◇ **Colors**
  - White vinyl (interior/exterior)

### BENEFITS

- ◇ Perfect value-engineered product for commercial projects 3-stories and less
- ◇ Integral Nail Fin system allows the V100 Series to adapt to any project's build

### OPTIONS

- ◇ **Available Configurations**
  - Picture Window
- ◇ **Muntin Choices**
  - 5/8" Internal lites available
- ◇ **J-Channel Snap-on Trim**
- ◇ **Glazing**
  - EnergyBasic Low-E Glass
  - Energy 3S Low-E glass
  - Capillary tubes
- ◇ **Mulling**
  - Choose from standard zero mull or 1/2" structural mull
- ◇ **Color**
  - High-performance Textured Black laminate (exterior only with White vinyl interior)
  - Limitations on availability may apply

### PERFORMANCE

- ◇ Structural & Thermal (test reports and thermal simulations available upon request)

| Model   | Picture Window (Fixed) |
|---|------------------------|
| NAFS Rating   | R-40                   |
| Test Size   | 60" x 60"              |
| Structural Load P.S.F.                                | 60.15                  |
| Air Infiltration at 25 MPH (cfm/ft <sup>2</sup> )     | <0.30                  |
| Water Resistance (P.S.F.)                             | 6.06                   |
| CR (Condensation Resistance) (with Low-E/argon)       | 56                     |
| U-Value (with EnergyBasic or Energy 3S glass package) | 0.27 - 0.28            |
| SHGC (with EnergyBasic or Energy 3S glass package)    | 0.23 - 0.35            |

CR, U-Value and SHGC values shown are a range based on the glass packages available for this product. Test results were achieved through all-window testing (not center-of-glass testing), and without grids. The addition of optional grids may cause the results to vary slightly.

Our products are tested to the standards of and certified by some of the foremost organizations in the fenestration industry.

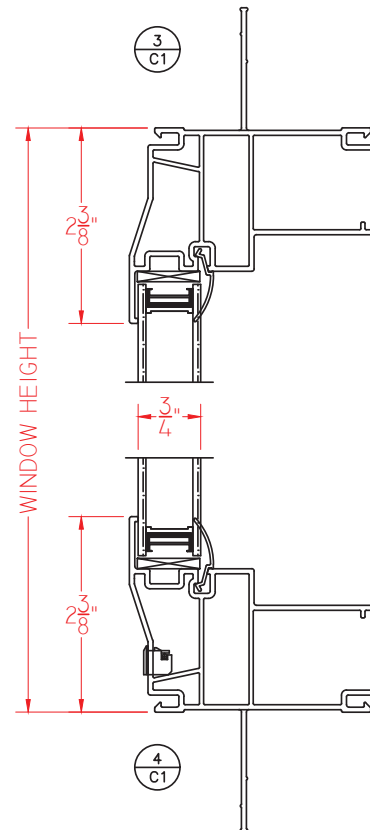
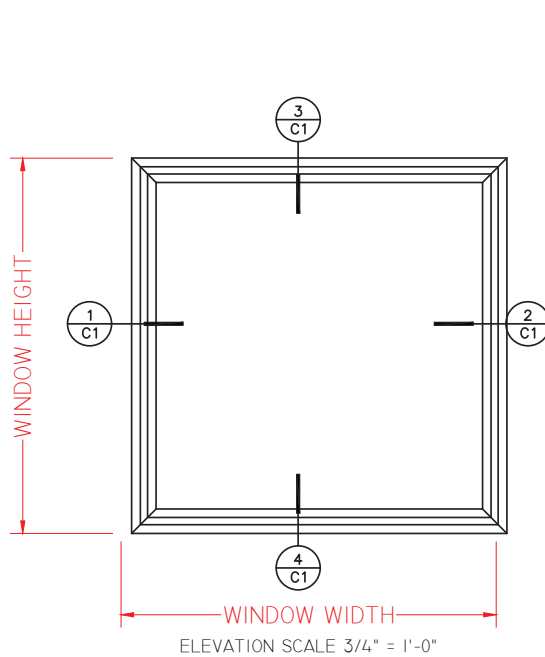
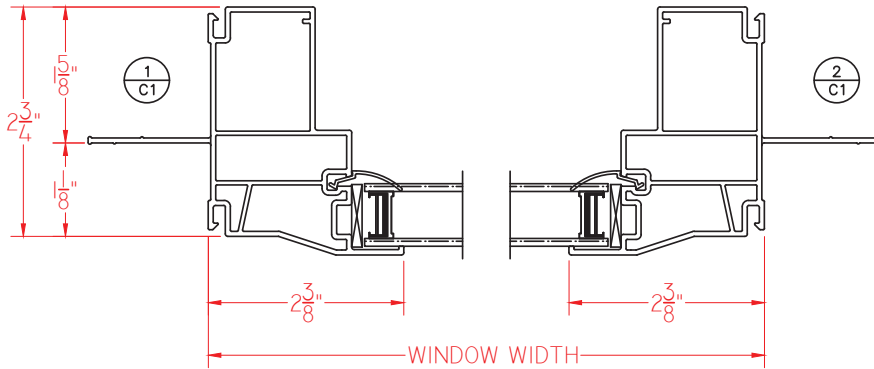




**V100 Series  
R-40  
2 3/4" Frame Depth  
Picture Window (Fixed)**

**V100 SERIES PICTURE WINDOW**

This document contains confidential and proprietary information intended for the private use of Quaker.  
© 2019 Quaker Window Products Co., INC. All rights reserved.  
Quaker reserves the right to change any/all designs without notice. Due to periodic re-certification requirements, result shown may vary.



SCALE 6"=1'-0"

Our products are tested to the standards of and certified by some of the foremost organizations in the fenestration industry.

