



# V100 Series 4 7/8" Frame Depth Sliding Door

## V100 SERIES SLIDING DOOR

### FEATURES

- ◇ **Framing System**
  - 4 7/8" main frame
- ◇ **Enhanced Design**
  - Mitered and fusion welded corners
  - Integral nailing fin
  - Aluminum panel roller track
  - Galvanized steel reinforcements
- ◇ **Glazing**
  - 7/8" insulating glass
- ◇ **Hardware**
  - Heavy-duty tandem wheel rollers make operation easy and smooth
  - D-Loop hardware with either thumb latch or keyed locking system
- ◇ **Screen**
  - Extruded aluminum frame with BetterVue™ mesh with WaterShed® technology
- ◇ **Colors**
  - White vinyl (interior/exterior)

### OPTIONS

- ◇ **Available Configurations**
  - Fixed-Active
  - Active-Fixed
- ◇ **Framing System**
  - Panels are reversible (6'8" size only. In-field assembly will be required)
- ◇ **Muntin Choices**
  - 5/8" Internal lites available
- ◇ **Screen**
  - Extruded aluminum screen frame with aluminum wire mesh
  - Extruded aluminum screen frame with sunscreen mesh
- ◇ **Glazing**
  - EnergyBasic Low-E Glass
  - Energy 3S Low-E glass
  - Capillary tubes
- ◇ **Mulling**
  - Choose from standard zero mull or 1/2" structural mull
- ◇ **Colors**
  - High-performance Textured Black laminate (interior/exterior)
  - High-performance Textured Black laminate (exterior with White vinyl interior)

### BENEFITS

- ◇ Perfect value-engineered product for commercial projects 3-stories and less
- ◇ Integral Nail Fin system allows the V100 Series to adapt to any project's build

### PERFORMANCE

- ◇ Structural & Thermal (test reports and thermal simulations available upon request)

Model	2-panel	2-panel w/transom	2-panel w/8' height
AAMA/WDMA/CSA 101/I.S.2/A440-08 Rating	R-PG50	R-PG40	R-PG20
Test Size	71" x 80"	71" x 96"	96" x 96"
Structural Load P.S.F.	75.00	60.00	30.00
Air Infiltration at 25 MPH (cfm/ft <sup>2</sup> )			
Water Resistance (P.S.F.)	7.50		
CR (Condensation Resistance)	58-59		
U-Value (with EnergyBasic or Energy 3S glass package)	0.28 / 0.29		
SHGC (with EnergyBasic or Energy 3S glass package)	0.22 / 0.34		

CR, U-Value and SHGC values shown are a range based on the glass packages available for this product.

Test results were achieved through all-window testing (not center-of-glass testing), and without grids. The addition of optional grids may cause the results to vary slightly.

Our products are tested to the standards of and certified by some of the foremost organizations in the fenestration industry.

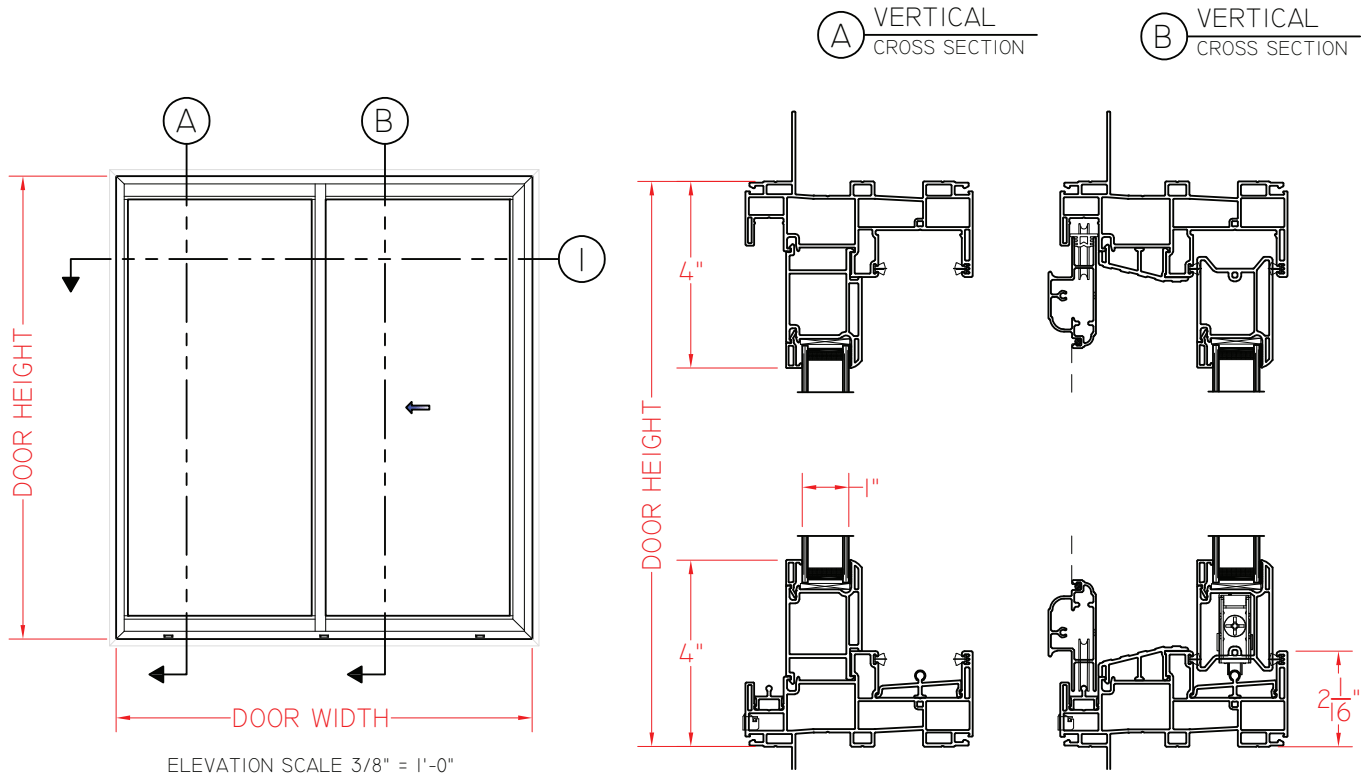
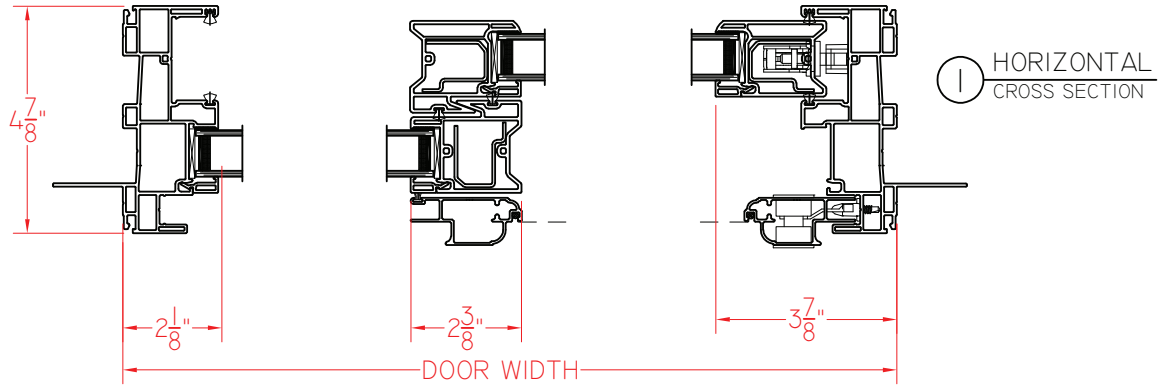




# V100 Series 4 7/8" Frame Depth Sliding Door

## V100 SERIES SLIDING DOOR (FIXED/ACTIVE OR ACTIVE/FIXED) AS VIEWED FROM EXTERIOR - FIXED/ACTIVE SHOWN

This document contains confidential and proprietary information intended for the private use of Quaker.  
© 2019 Quaker Window Products Co., INC. All rights reserved.  
Quaker reserves the right to change any/all designs without notice. Due to periodic re-certification requirements, result shown may vary.

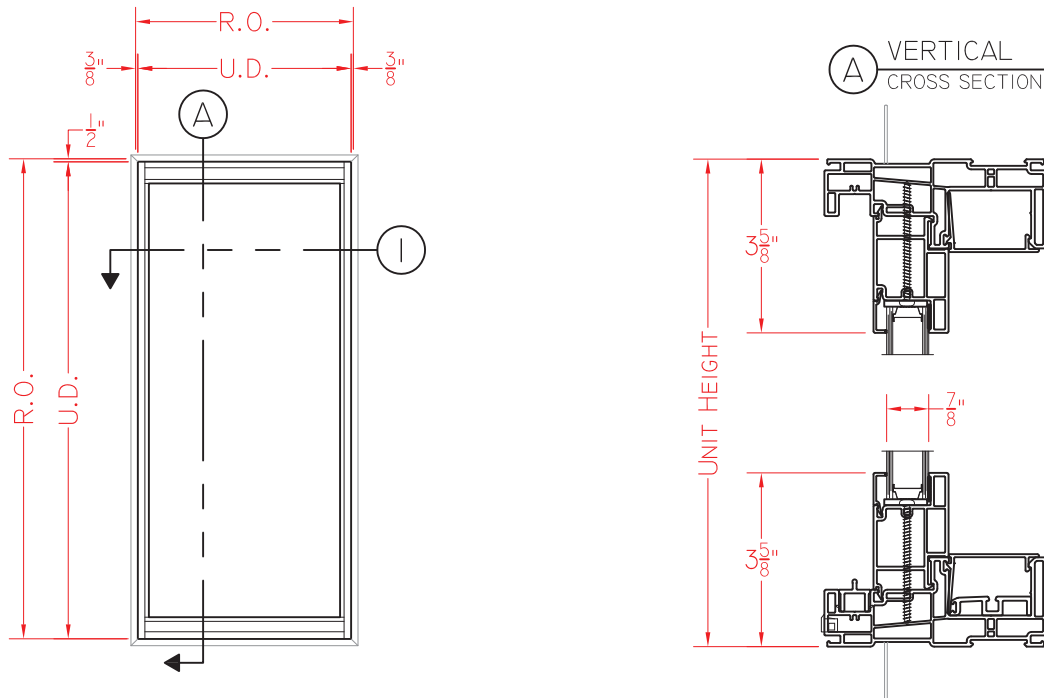
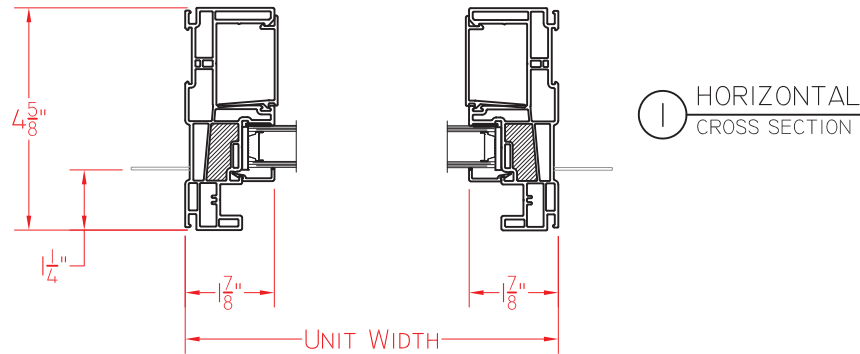


Our products are tested to the standards of and certified by some of the foremost organizations in the fenestration industry.



# V100 SERIES SLIDING DOOR SIDELITE

This document contains confidential and proprietary information intended for the private use of Quaker.  
© 2019 Quaker Window Products Co., INC. All rights reserved.  
Quaker reserves the right to change any/all designs without notice. Due to periodic re-certification requirements, result shown may vary.



ELEVATION SCALE 3/8" = 1'-0"

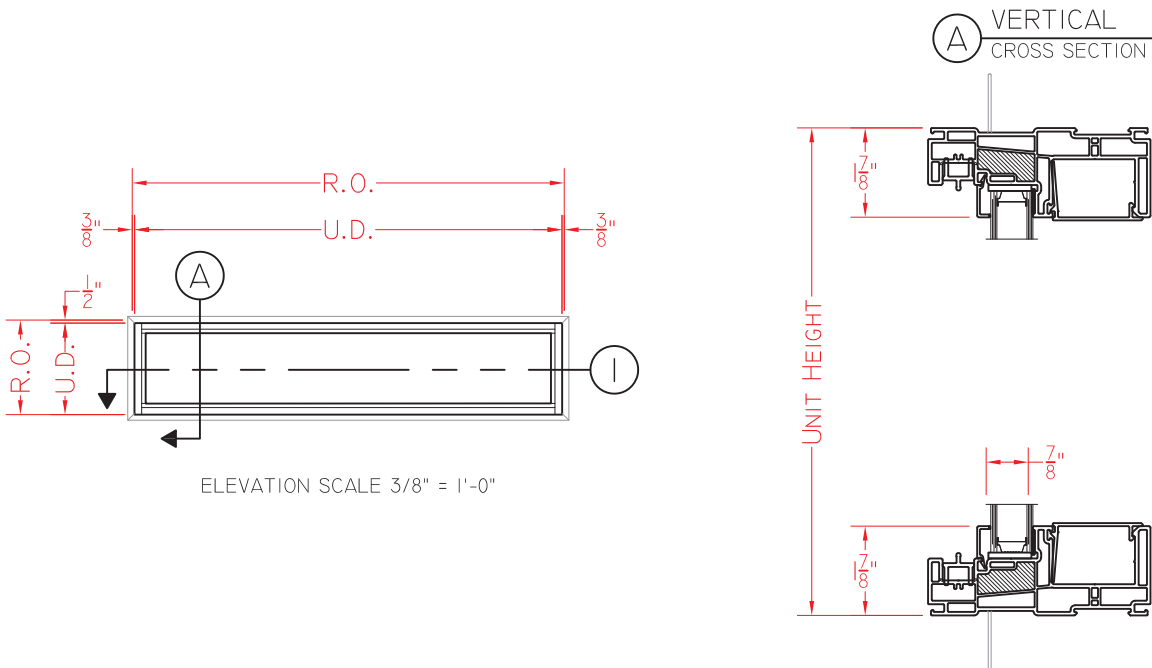
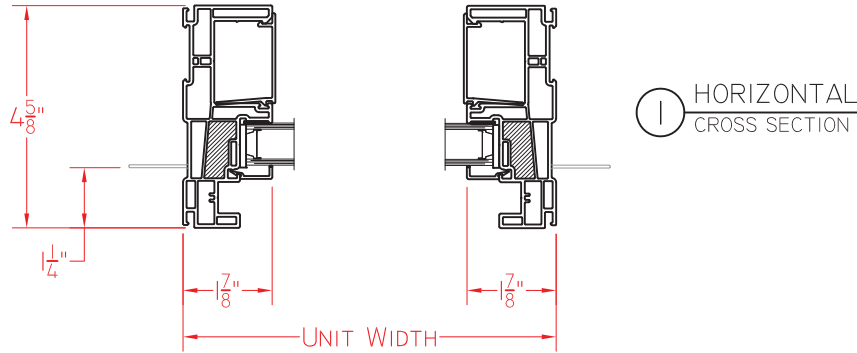
SCALE 1:4

Our products are tested to the standards of and certified by some of the foremost organizations in the fenestration industry.



# V100 SERIES SLIDING DOOR TRANSOM

This document contains confidential and proprietary information intended for the private use of Quaker.  
© 2019 Quaker Window Products Co., INC. All rights reserved.  
Quaker reserves the right to change any/all designs without notice. Due to periodic re-certification requirements, result shown may vary.



SCALE 1:4