

BRIGHTON SERIES CASEMENT

The Quaker Brighton Series Casement window is ideal for a variety of applications including - Energy Efficient, Apartments, Assisted Living and Housing Authority.

FEATURES

- ◇ Commercial Framing System
 - 6" main frame
- ◇ Enhanced Design
 - Extruded clad exterior
 - Pine interior
- ◇ Glazing
 - ¾" insulating glass with warm-edge spacer
- ◇ Hardware
 - Multi-point locking system with single latch
- ◇ Screen
 - Extruded aluminum screen frame with BetterVue™ mesh with WaterShed® technology

BENEFITS

- ◇ The capacity to match exterior colors for unique project facades
- ◇ The ability to facilitate large sizes for taller and wider window openings

OPTIONS

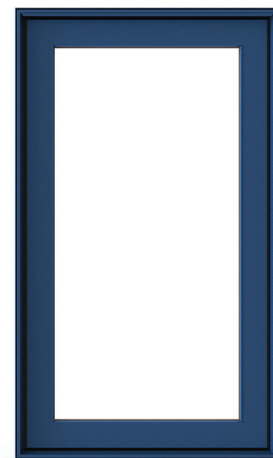
- ◇ Available Configurations
 - Project-out casement
- ◇ Muntin Choices
 - Internal or simulated divided lites available
- ◇ Hardware
 - Egress hardware
 - Limited travel hardware
- ◇ Nailing Fin
- ◇ Screen
 - Extruded aluminum screen frame with aluminum wire mesh
 - Extruded aluminum screen frame with sunscreen mesh
 - Extruded aluminum screen frame with stainless steel 0.009" thickness mesh
 - Multiple retractable screen systems
- ◇ Glazing
 - Multiple Low-E and argon glazing choices
 - Capillary tubes
 - Argon gas
 - Wide variety of glazing, tinting and thickness options
- ◇ Panning & Trim Choices
 - Wide variety of panning, receptor and trim available
- ◇ Mulling
 - Wide variety of structural mulls

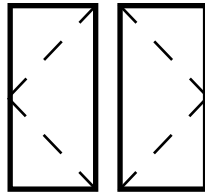
PERFORMANCE

- ◇ Structural & Thermal (test reports or thermal simulations available upon request)

| Model | Casement |
|---|-----------|
| NAFS Rating | LC-60 |
| Structural Load P.S.F. | 90.23 |
| Air at 50 MPH (cfm/ft ²) | <0.30 |
| Water (No Penetration) P.S.F. | 9.19 |
| U-Value (ranges based on multiple Low-E/Argon combinations) | 0.28-0.32 |
| SHGC (ranges based on multiple Low-E/Argon combinations) | 0.12-0.43 |

Window test size: 36" × 72"
Operating Force: 2 lbf (Initiate motion), 1 lbf (Latches)

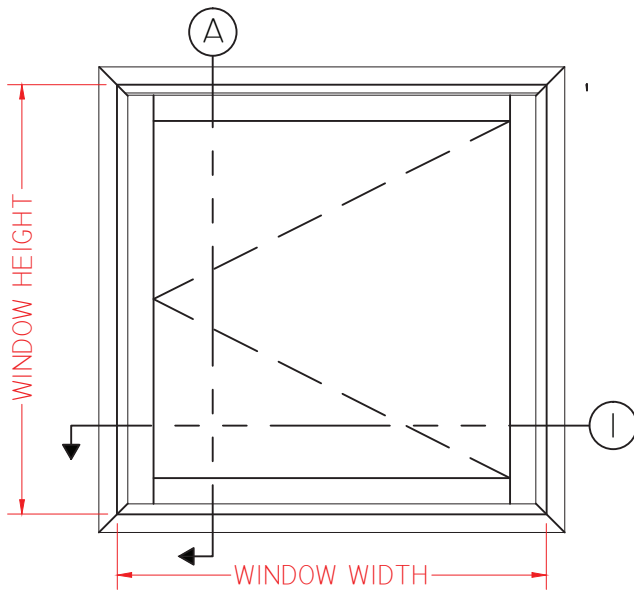
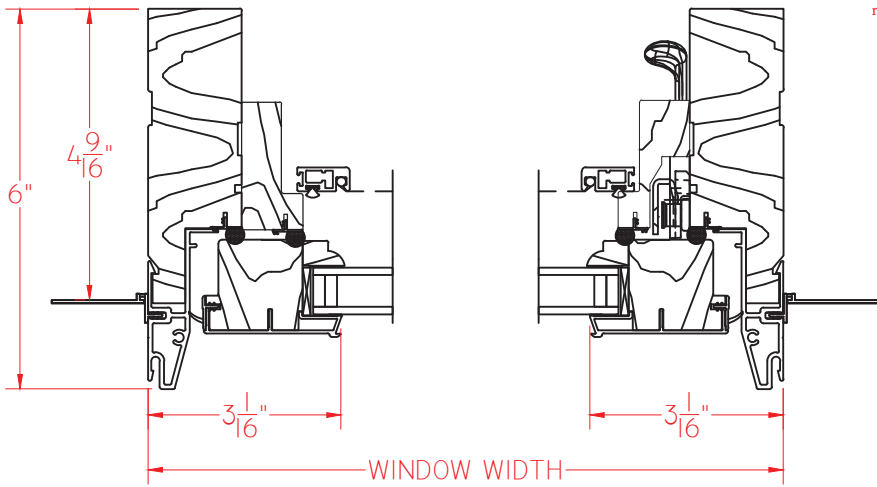




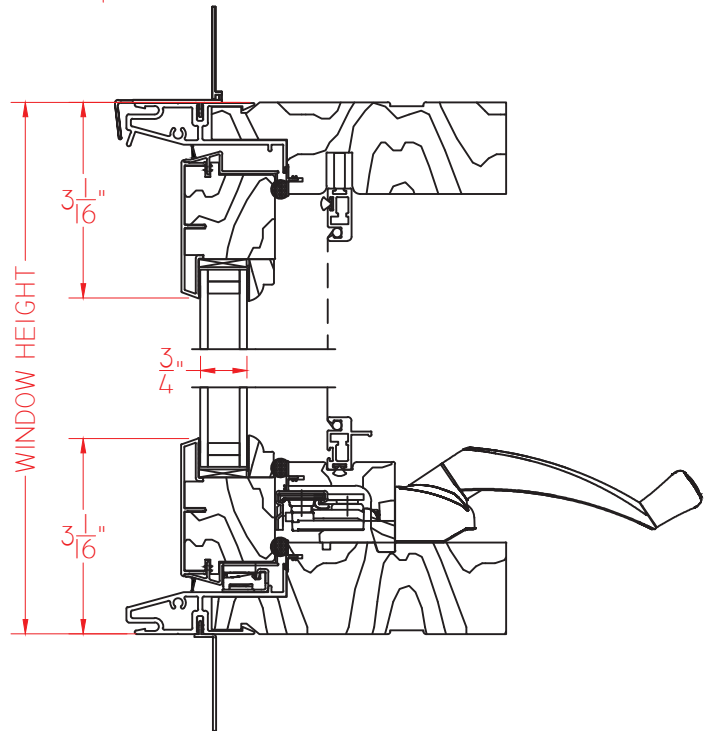
Brighton Series 6" Frame Depth Casement

BRIGHTON SERIES CASEMENT

This document contains confidential and proprietary information intended for the private use of Quaker.
 © 2016 Quaker Window Products Co., INC. All rights reserved.
 Quaker reserves the right to change any/all designs without notice. Due to periodic re-certification requirements, result shown may vary.



ELEVATION SCALE 3/4" = 1'-0"



SCALE 1:3

Our products are tested to the standards of and certified by some of the foremost organizations in the fenestration industry.

