

# Brighton Series 6" Frame Depth Double Hung/Single Hung

## BRIGHTON SERIES DOUBLE HUNG/SINGLE HUNG

### FEATURES

- ◇ Commercial Framing System
  - 6" main frame
- ◇ Enhanced Design
  - Extruded clad exterior
  - Pine interior
- ◇ Glazing
  - ¾" insulating glass with warm-edge spacer
- ◇ Hardware
  - Block and tackle balancers and vinyl step jamb liners
  - Self-aligning cam-type locks
- ◇ Screen
  - Extruded aluminum screen frame with BetterVue™ mesh with WaterShed® technology

### OPTIONS

- ◇ Available Configurations
  - Double Hung
  - Single Hung
- ◇ Muntin Choices
  - Internal, wood removable or simulated divided lites available
- ◇ Limited travel hardware
- ◇ Nailing Fin
- ◇ Screen
  - Extruded aluminum screen frame with aluminum wire mesh
  - Extruded aluminum screen frame with sunscreen mesh
  - Extruded aluminum screen frame with stainless steel 0.009" thickness mesh
- ◇ Glazing
  - Multiple Low-E and argon glazing choices
  - Capillary tubes
  - Wide variety of glazing, tinting and thickness options
- ◇ Panning & Trim Choices
  - Wide variety of panning, receptor and trim available
- ◇ Mulling
  - Wide variety of structural mulls

### BENEFITS

- ◇ The capacity to match exterior colors for unique project facades
- ◇ The ability to facilitate large sizes for taller and wider window openings

### PERFORMANCE

- ◇ Structural & Thermal (test reports or thermal simulations available upon request)

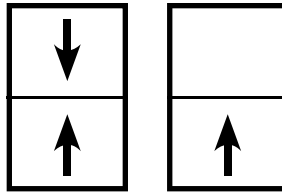
Model	Double Hung/Single Hung
NAFS Rating	R-50
Structural Load P.S.F.	75.19
Air infiltration	<0.30
Water (No Penetration) P.S.F.	7.52
U-Value (ranges based on multiple Low-E/Argon combinations)	0.27-0.32
SHGC (ranges based on multiple Low-E/Argon combinations)	0.12-0.45

Window test size: 36" x 84"  
Operating Force: 22 lbf (maintain motion), 3 lbf (locks)



Our products are tested to the standards of and certified by some of the foremost organizations in the fenestration industry.



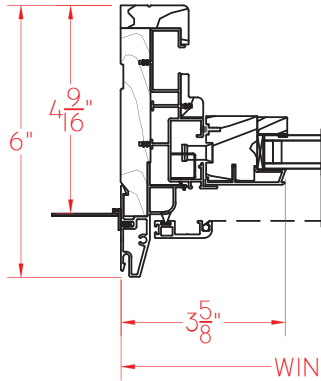


# Brighton Series 6" Frame Depth Double Hung/Single Hung

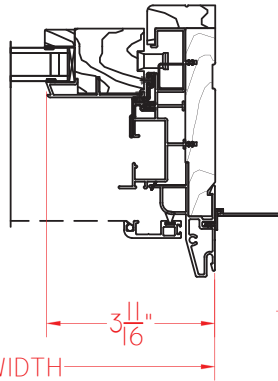
## BRIGHTON DOUBLE HUNG/SINGLE HUNG

This document contains confidential and proprietary information intended for the private use of Quaker.  
© 2016 Quaker Window Products Co., INC. All rights reserved.  
Quaker reserves the right to change any/all designs without notice.  
Due to periodic re-certification requirements, result shown may vary.

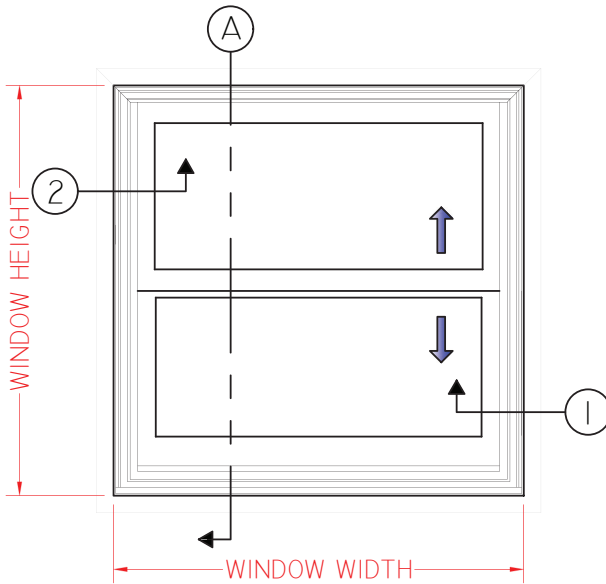
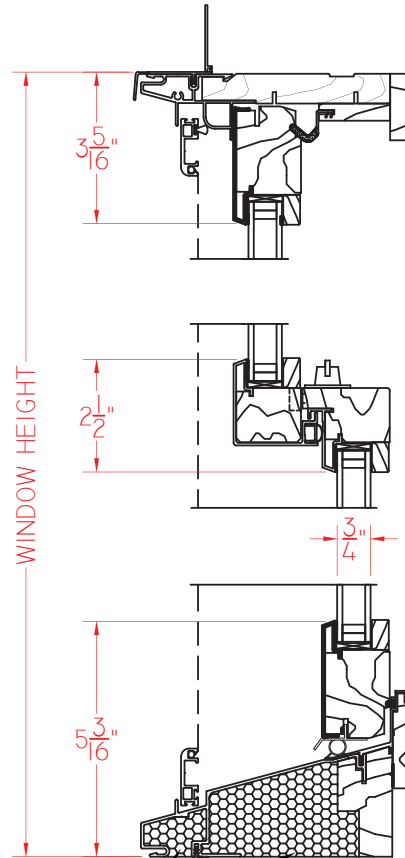
② HORIZONTAL CROSS SECTION



① HORIZONTAL CROSS SECTION



Ⓐ VERTICAL CROSS SECTION



ELEVATION SCALE 3/4" = 1'-0"

INSTALLER TO FILL CAVITY WITH FIBERGLASS INSULATION BEFORE SETTING WINDOW

SCALE 1:4

Our products are tested to the standards of and certified by some of the foremost organizations in the fenestration industry.

