



## BRIGHTON SERIES FIXED (PICTURE WINDOW)

### FEATURES

- ◇ Commercial Framing System
  - 6" main frame
- ◇ Enhanced Design
  - Extruded clad exterior
  - Pine interior
- ◇ Glazing
  - ¾" insulating glass with warm-edge spacer

### BENEFITS

- ◇ The capacity to match exterior colors for unique project facades
- ◇ The ability to facilitate large sizes for taller and wider window openings

### OPTIONS

- ◇ Available Configurations
  - Picture window
  - Geometric shapes
- ◇ Muntin Choices
  - Internal or simulated divided lites available
- ◇ Nailing Fin
- ◇ Glazing
  - Multiple Low-E and argon glazing choices
  - Capillary tubes
  - Argon gas
  - Wide variety of glazing, tinting and thickness options
- ◇ Panning & Trim Choices
  - Wide variety of panning, receptor and trim available
- ◇ Mulling
  - Wide variety of structural mulls

### PERFORMANCE

- ◇ Structural & Thermal (test reports or thermal simulations available upon request)

Model	Casement Fixed (Picture Window)	Hung Fixed (Picture Window)	Direct Set Fixed (Picture Window)
NAFS Rating	LC-50	C-50	R-50
Structural Load P.S.F.	75.19	75.19	75.19
Air at 50 MPH (cfm/ft <sup>2</sup> )	<0.30	<0.30	<0.30
Water (No Penetration) P.S.F.	7.52	7.52	7.52
U-Value (ranges based on multiple Low-E/Argon combinations)	0.25-0.35	0.25-0.34	0.22-0.29
SHGC (ranges based on multiple Low-E/Argon combinations)	0.14-0.51	0.14-0.49	0.15-0.57
Window Test Size	72" × 72"	60" × 60"	48" × 48"

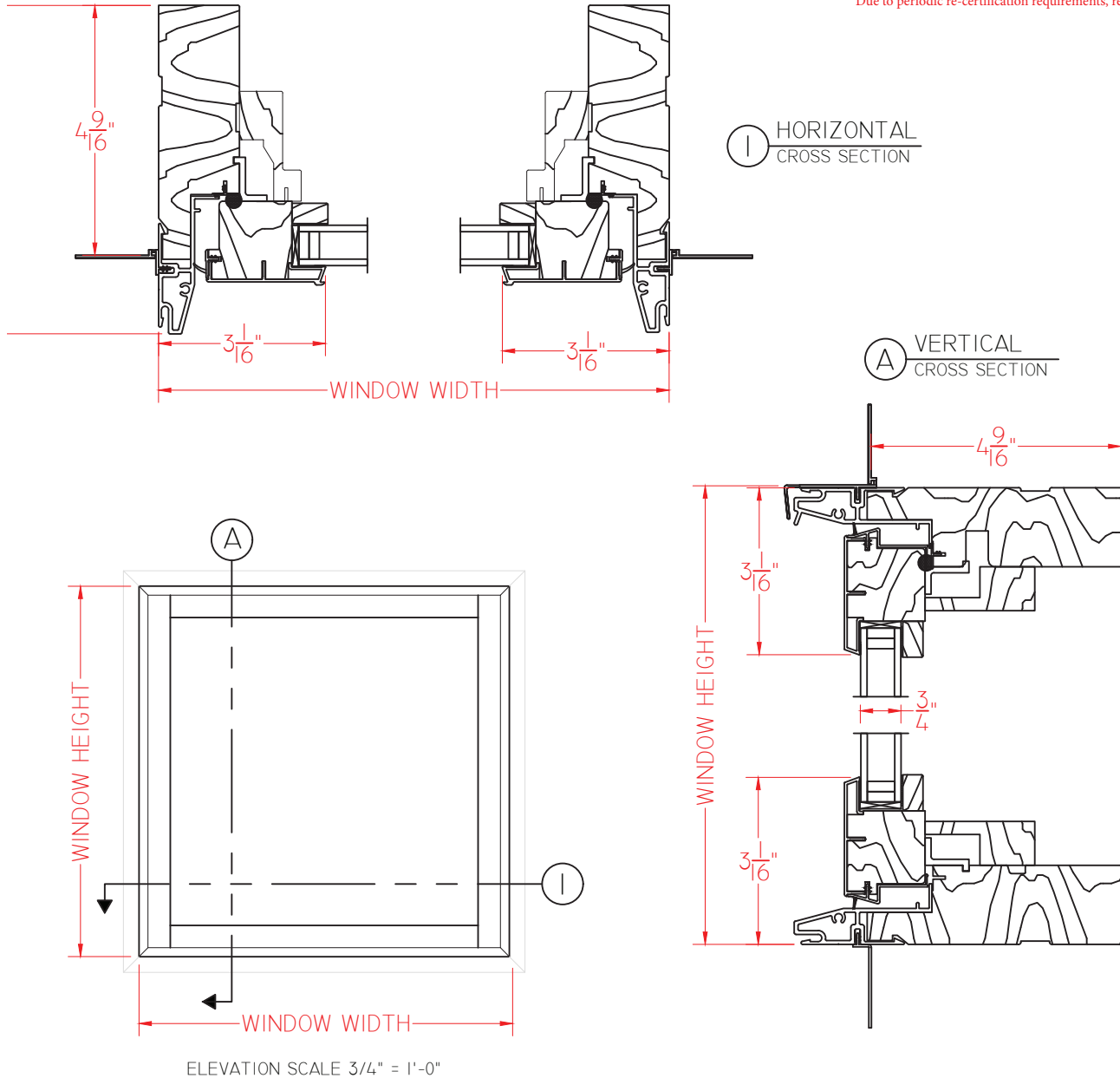




# Brighton Series 6" Frame Depth Fixed (Picture Window)

## BRIGHTON SERIES CASEMENT FIXED (PICTURE WINDOW)

This document contains confidential and proprietary information intended for the private use of Quaker.  
 © 2016 Quaker Window Products Co., INC. All rights reserved.  
 Quaker reserves the right to change any/all designs without notice.  
 Due to periodic re-certification requirements, result shown may vary.



SCALE 1:3

Our products are tested to the standards of and certified by some of the foremost organizations in the fenestration industry.

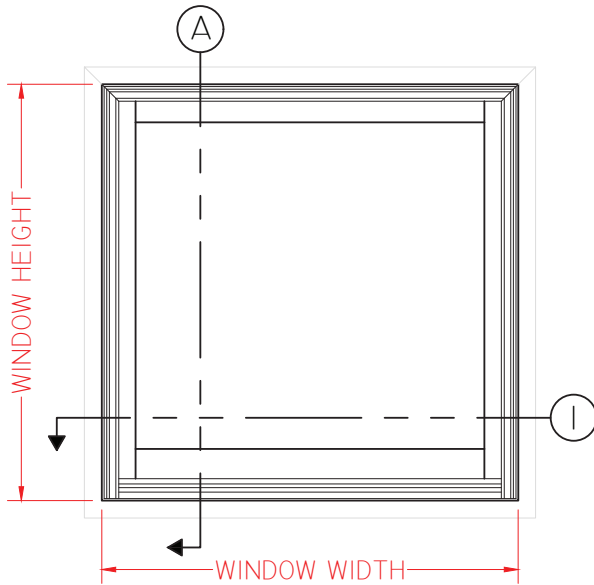
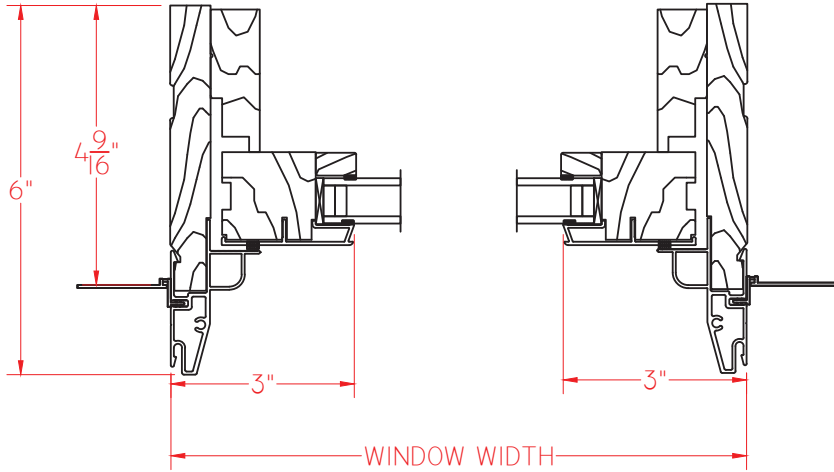




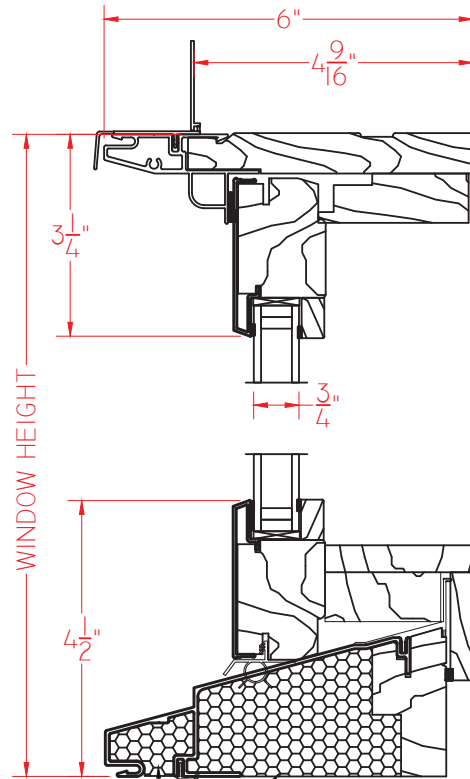
**Brighton Series**  
**6" Frame Depth**  
**Fixed (Picture Window)**

**BRIGHTON SERIES DOUBLE HUNG FIXED (PICTURE WINDOW)**

This document contains confidential and proprietary information intended for the private use of Quaker.  
© 2016 Quaker Window Products Co., INC. All rights reserved.  
Quaker reserves the right to change any/all designs without notice.  
Due to periodic re-certification requirements, result shown may vary.



ELEVATION SCALE 3/4" = 1'-0"



INSTALLER TO FILL CAVITY  
WITH FIBERGLASS INSULATION  
BEFORE SETTING WINDOW

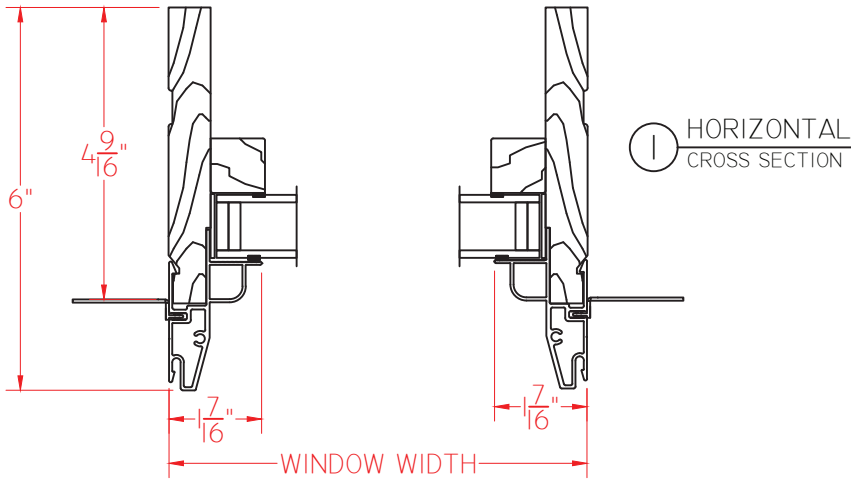
SCALE 1:3



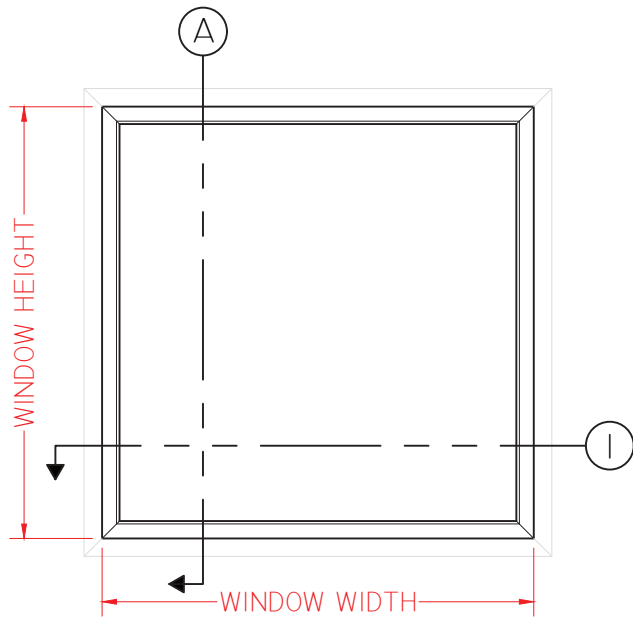
**Brighton Series**  
**6" Frame Depth**  
**Fixed (Picture Window)**

**BRIGHTON SERIES DIRECT SET FIXED (PICTURE WINDOW)**

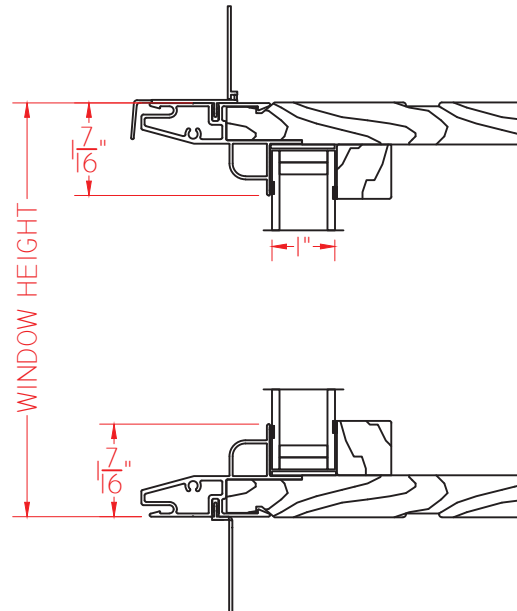
This document contains confidential and proprietary information intended for the private use of Quaker.  
© 2016 Quaker Window Products Co., INC. All rights reserved.  
Quaker reserves the right to change any/all designs without notice.  
Due to periodic re-certification requirements, result shown may vary.



A VERTICAL CROSS SECTION



ELEVATION SCALE 3/4" = 1'-0"



SCALE 1:3