



Brighton 5 15/16" Frame Depth Hinged Door (Inswing)

BRIGHTON SERIES HINGED DOOR (INSWING)

FEATURES

- ◇ Commercial Framing System
 - 5 15/16' main frame
- ◇ Enhanced Design
 - Solid extruded aluminum clad exterior framing: 0.078" metal thickness
 - Radiatta pine interior
 - 8 1/2" bottom rail height
 - Bronze anodized aluminum sill
 - Adjustable nailing fin to fit frame depths ranging from 4 9/16" to 5 5/16"
- ◇ Glazing
 - 3/4" insulating glass with warm-edge spacer
 - Low-E with argon gas
- ◇ Hardware
 - 3 Heavy-duty, adjustable hinges
 - Multi-point hardware
 - Handle sets offer multiple styles and finishes
- ◇ Screen
 - Extruded aluminum screen frame with BetterVue™ mesh with WaterShed® technology

OPTIONS

- ◇ Available Configurations
 - Single Panel Active
 - Fixed-Active, Active-Fixed or Fixed-Fixed
 - Inactive-Active or Active-Inactive (French)
 - Active-Fixed-Fixed, Fixed-Active-Fixed, Fixed-Fixed-Active or Fixed-Fixed-Fixed
 - Sidelites
 - Transoms
- ◇ Muntin Choices
 - Internal, wood removable or simulated divided lites available
- ◇ Panels
 - 1/4 or 1/2 Panel with 0, 1 or 2 simulated raised plots
 - 10" bottom rail height
- ◇ Sill
 - ADA option
 - Mill finish
- ◇ Screen
 - Extruded aluminum screen frame w/alum. wire mesh
 - Extruded aluminum screen frame with sunscreen mesh
 - Extruded aluminum screen frame with stainless steel 0.009" thickness mesh
 - Multiple retractable screen systems
- ◇ Glazing
 - Multiple Low-E and argon glazing choices
 - Capillary tubes
 - Wide variety of glazing, tinting and thickness options
- ◇ Panning & Trim Choices
 - Wide variety of trim available
- ◇ Mulling
 - Wide variety of structural mulls

BENEFITS

- ◇ The capacity to match exterior colors for unique project facades
- ◇ The capacity to match interior colors for unique decor
- ◇ The ability to facilitate custom sizes for taller and wider door openings

PERFORMANCE

- ◇ Structural & Thermal (test reports or thermal simulations available upon request)

Model	Brighton Hinged Inswing Door
	Active-Fixed
NAFS Rating	R-40, LC-50
Structural Load P.S.F.	75.19
Air Infiltration	<0.30
Water (No Penetration) P.S.F.	7.52
U-Value (ranges based on multiple Low-E/Argon combinations)	0.28-0.31
SHGC (ranges based on multiple Low-E/Argon combinations)	0.10-0.24
Test size	72" x 95"

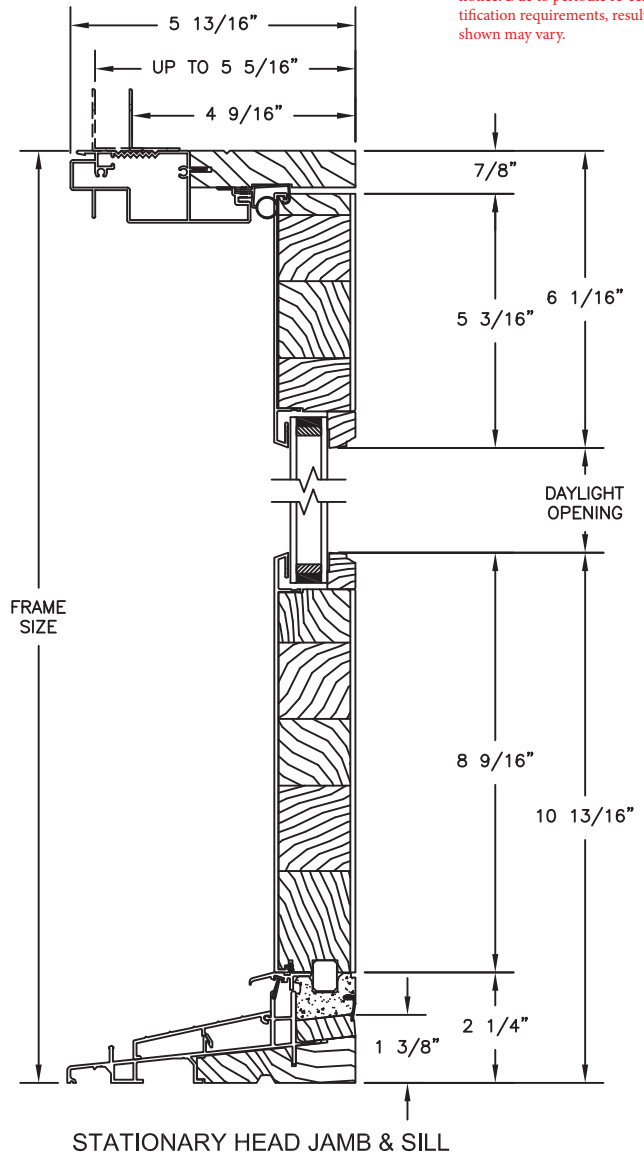
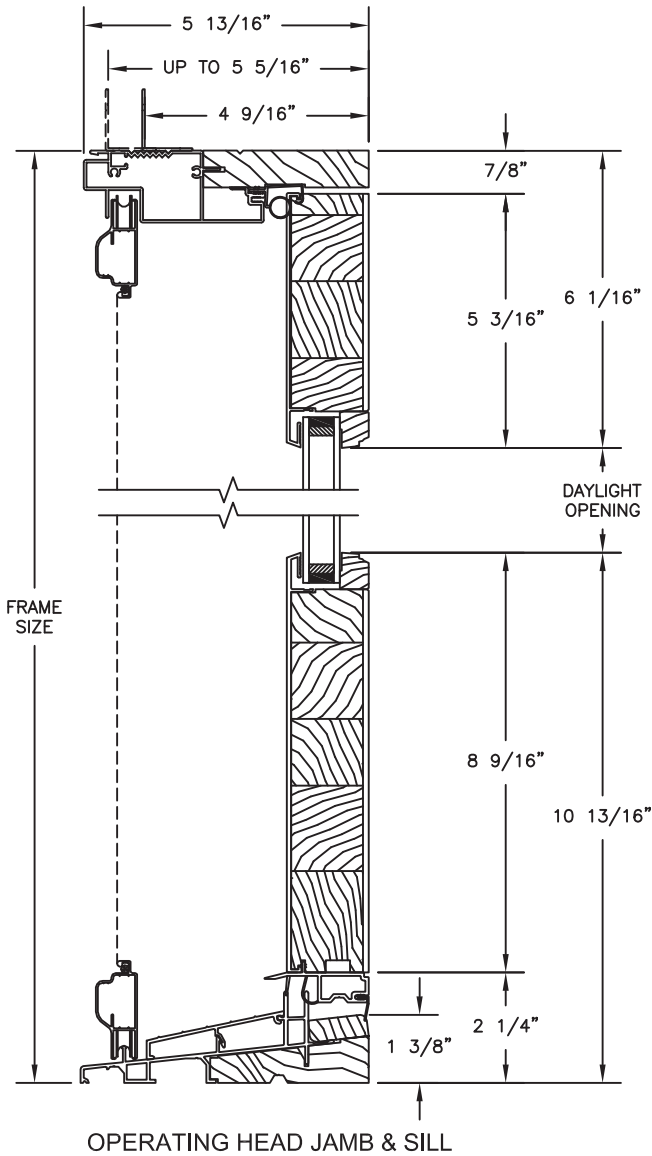
Our products are tested to the standards of and certified by some of the foremost organizations in the fenestration industry.



BRIGHTON SERIES HINGED DOOR (INSWING)

This document contains confidential and proprietary information intended for the private use of Quaker.
© 2018 Quaker Window Products Co., INC. All rights reserved.
Quaker reserves the right to change any/all designs without notice. Due to periodic re-certification requirements, result shown may vary.

SCALE: 3" = 1'-0"

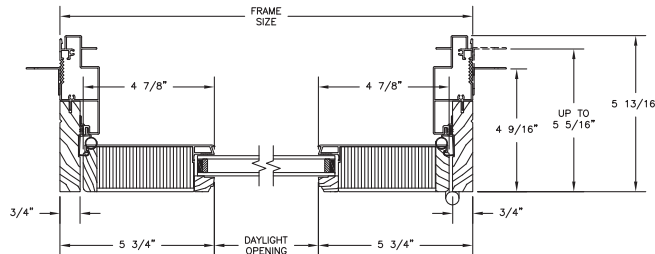


Our products are tested to the standards of and certified by some of the foremost organizations in the fenestration industry.

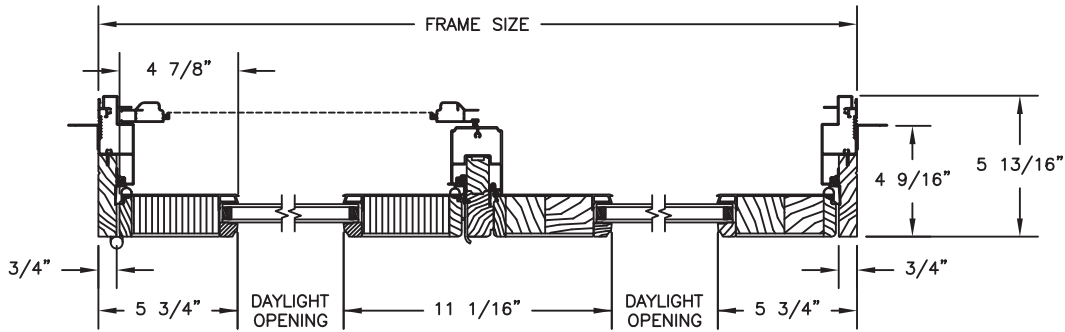


BRIGHTON SERIES HINGED DOOR (INSWING)

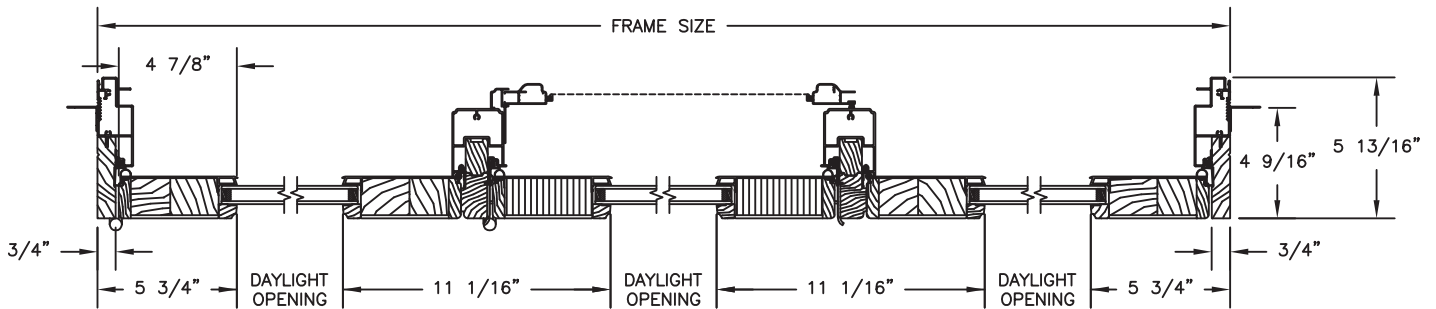
This document contains confidential and proprietary information intended for the private use of Quaker.
© 2018 Quaker Window Products Co., INC. All rights reserved.
Quaker reserves the right to change any/all designs without notice. Due to periodic re-certification requirements, result shown may vary.



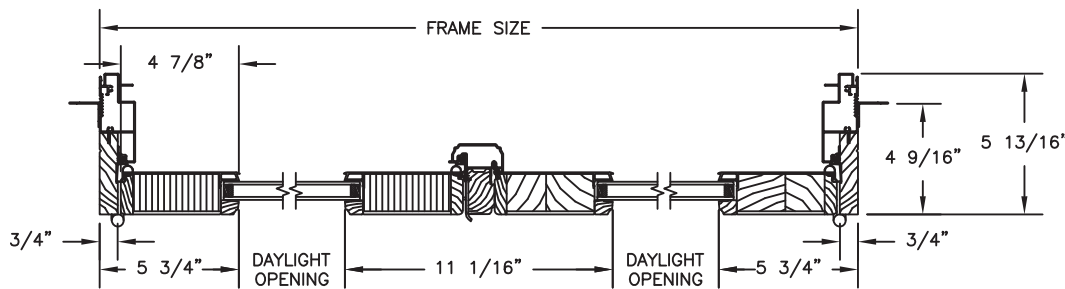
1 PANEL JAMB



2 PANEL JAMB



3 PANEL JAMB



BI-HINGE JAMB