



# Brighton 5 15/16" Frame Depth Sliding Door (Narrow Rail)

## BRIGHTON SERIES SLIDING DOOR (NARROW RAIL)

### FEATURES

- ◇ Commercial Framing System
  - 5 15/16' main frame (4 9/16" fin to interior)
- ◇ Enhanced Design
  - Solid extruded aluminum clad exterior framing: 0.078" metal thickness
  - Radiatta pine interior
  - Extended drip cap for water infiltration protection
  - Fiberglass sill
  - Dual-seal frame weather-strip at panel face and edge
  - Nailing fin
- ◇ Glazing
  - 3/4" insulating glass with warm-edge spacer
  - Low-E with argon gas
- ◇ Hardware
  - Heavy-duty ball-bearing rollers make operation easy and smooth
  - Truth Signature Hardware with safe locking system
- ◇ Screen
  - Extruded aluminum screen frame with BetterVue™ mesh with WaterShed® technology

### BENEFITS

- ◇ The capacity to match exterior colors for unique project facades
- ◇ The capacity to match interior colors for unique decor
- ◇ The ability to facilitate custom sizes for taller and wider door openings

### OPTIONS

- ◇ Available Configurations
  - Fixed-Active
  - Active-Fixed
  - Fixed-Active-Active-Fixed
  - Sidelites
  - Transoms
- ◇ Muntin Choices
  - Internal, wood removable or simulated divided lites available
- ◇ Screen
  - Extruded aluminum screen frame with aluminum wire mesh
  - Extruded aluminum screen frame with sunscreen mesh
  - Extruded aluminum screen frame with stainless steel 0.009" thickness mesh
- ◇ Glazing
  - Capillary tubes
  - Wide variety of glazing, tinting and thickness options
- ◇ Panning & Trim Choices
  - Wide variety of trim available
- ◇ Mulling
  - Wide variety of structural mulls

### PERFORMANCE

- ◇ Structural & Thermal (test reports or thermal simulations available upon request)

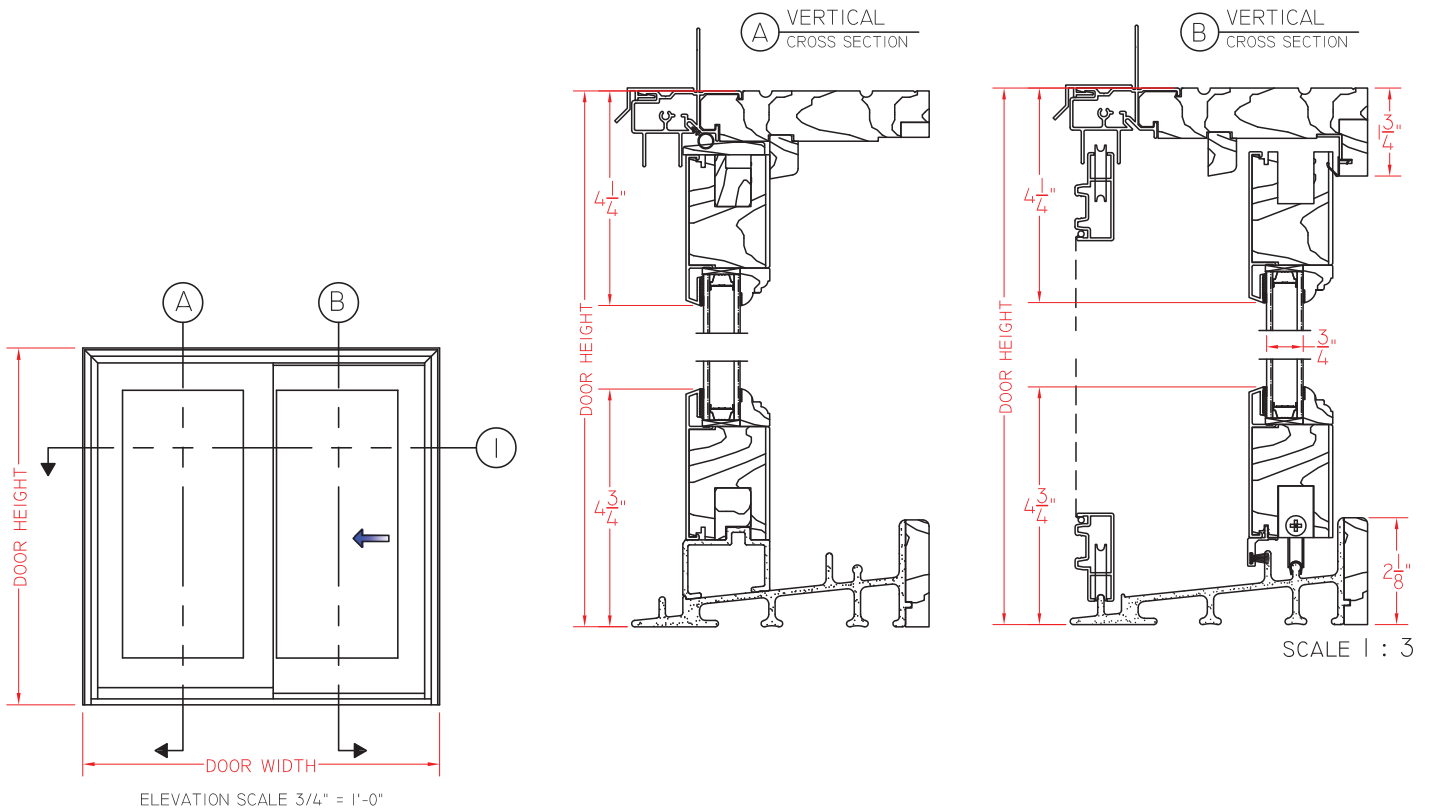
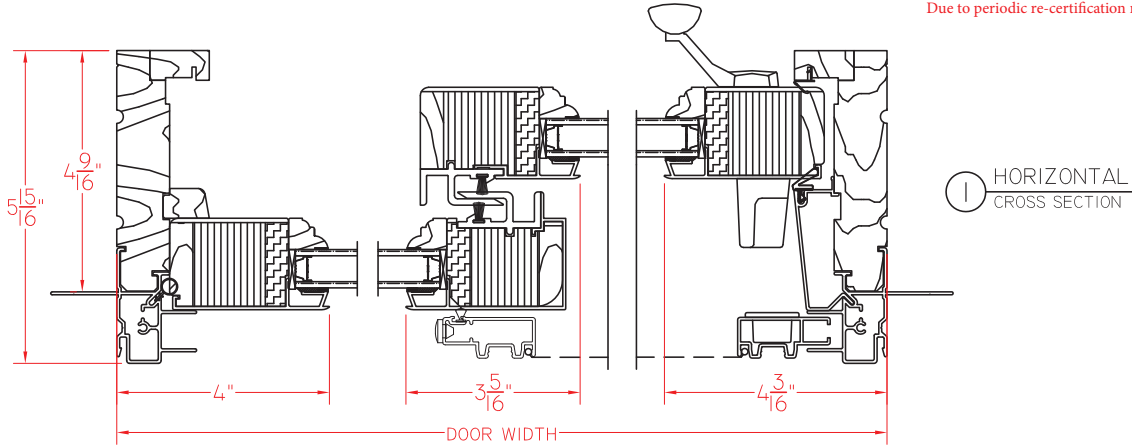
Model	Brighton Narrow Rail Sliding Door
	Active-Fixed
AAMA/WDMA/CSA 101/I.S.2/A440-08 Rating	R-40
Structural Load P.S.F.	60.15
Air at 50 MPH (cfm/ft <sup>2</sup> )	
Water (No Penetration) P.S.F.	6.06
U-Value (ranges based on multiple Low-E/Argon combinations)	0.25-0.30
SHGC (ranges based on multiple Low-E/Argon combinations)	0.13-0.46
Test size	95" x 96"

Our products are tested to the standards of and certified by some of the foremost organizations in the fenestration industry.



**BRIGHTON SERIES SLIDING DOOR (2-PANEL NARROW RAIL)**

This document contains confidential and proprietary information intended for the private use of Quaker.  
© 2018 Quaker Window Products Co., INC. All rights reserved.  
Quaker reserves the right to change any/all designs without notice.  
Due to periodic re-certification requirements, result shown may vary.



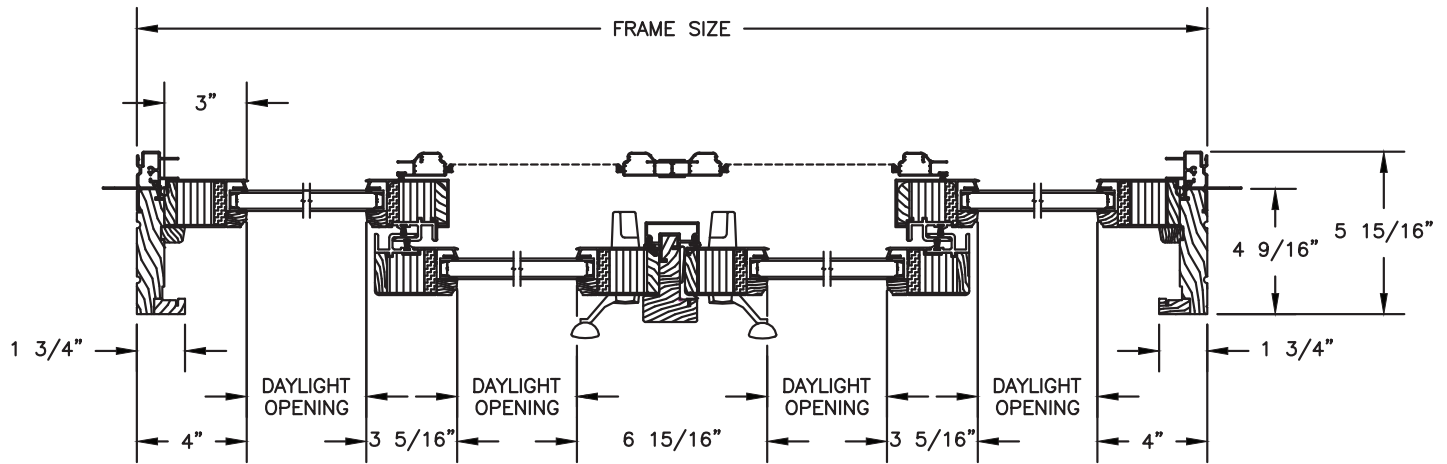
SCALE 1 : 3

Our products are tested to the standards of and certified by some of the foremost organizations in the fenestration industry.



**BRIGHTON SERIES SLIDING DOOR (4-PANEL NARROW RAIL)**

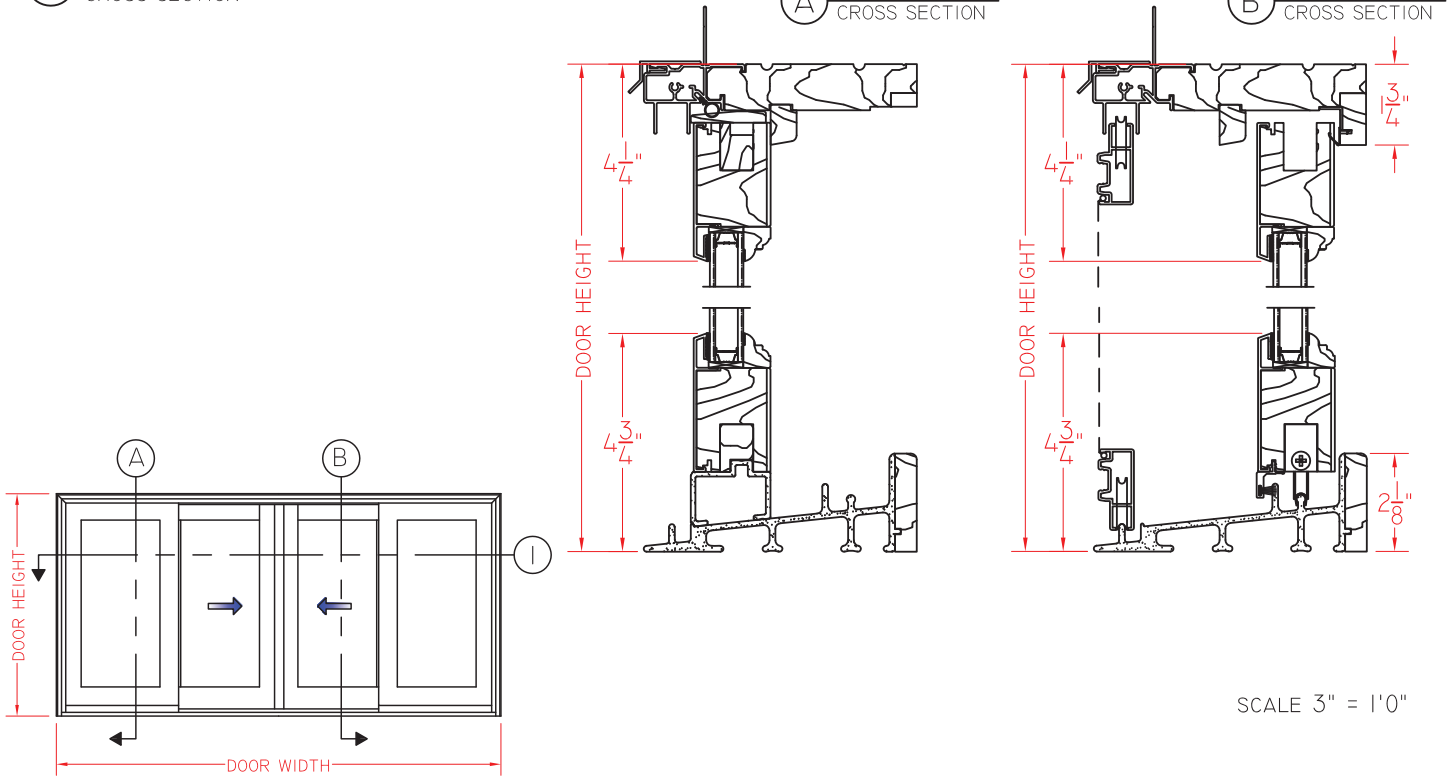
This document contains confidential and proprietary information intended for the private use of Quaker.  
© 2018 Quaker Window Products Co., INC. All rights reserved.  
Quaker reserves the right to change any/all designs without notice. Due to periodic re-certification requirements, result shown may vary.



I HORIZONTAL CROSS SECTION

A VERTICAL CROSS SECTION

B VERTICAL CROSS SECTION



SCALE 3" = 1'-0"

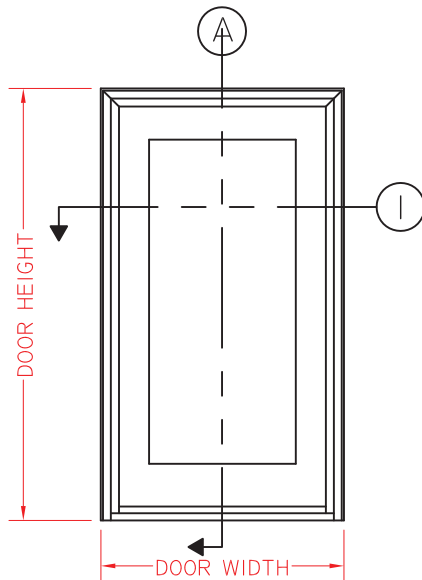
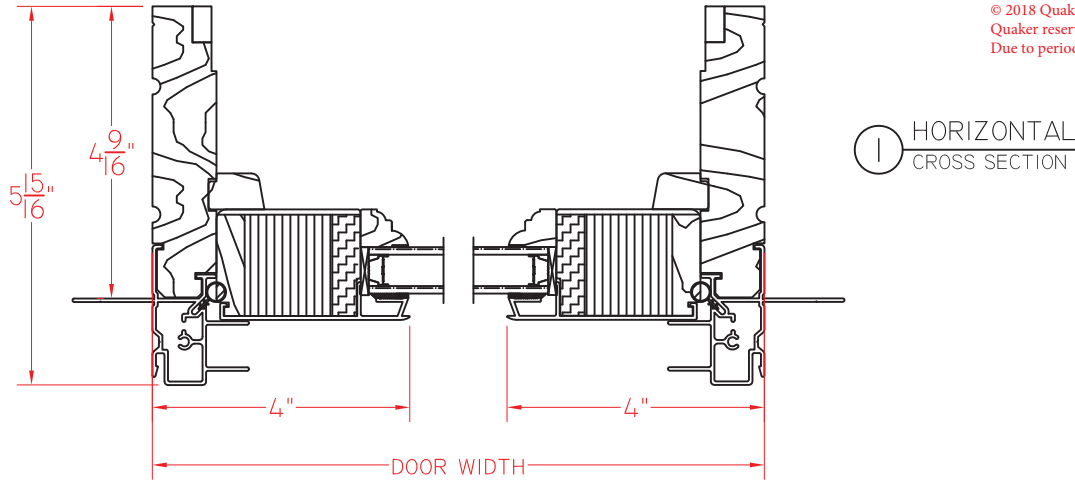
ELEVATION SCALE 1/2" = 1'-0"

Our products are tested to the standards of and certified by some of the foremost organizations in the fenestration industry.

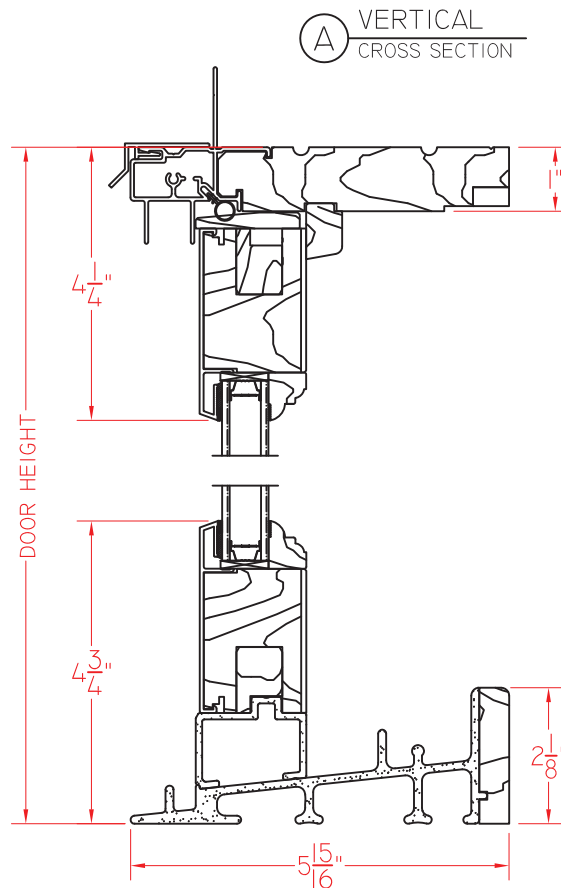


**BRIGHTON SERIES SLIDING DOOR (SIDELITE NARROW RAIL)**

This document contains confidential and proprietary information intended for the private use of Quaker.  
© 2018 Quaker Window Products Co., INC. All rights reserved.  
Quaker reserves the right to change any/all designs without notice.  
Due to periodic re-certification requirements, result shown may vary.



ELEVATION SCALE 3/4" = 1'-0"



SCALE 1 : 3

Our products are tested to the standards of and certified by some of the foremost organizations in the fenestration industry.

