

BRIGHTON SERIES HINGED DOOR (OUTSWING)

FEATURES

- ◇ Commercial Framing System
 - 5 7/8' main frame (4 9/16" fin to interior)
- ◇ Enhanced Design
 - Solid extruded aluminum clad exterior framing: 0.078" metal thickness
 - Radiatta pine interior
 - 8 1/2" bottom rail height
 - Bronze anodized aluminum sill
 - Adjustable nailing fin to fit frame depths ranging from 4 9/16" to 5 5/16"
- ◇ Glazing
 - 3/4" insulating glass with warm-edge spacer
 - Low-E with argon gas
- ◇ Hardware
 - 3 Heavy-duty, adjustable hinges
 - Multi-point hardware
 - Handle sets offer multiple styles and finishes

BENEFITS

- ◇ The capacity to match exterior colors for unique project facades
- ◇ The capacity to match interior colors for unique decor
- ◇ The ability to facilitate custom sizes for taller and wider door openings

OPTIONS

- ◇ Available Configurations
 - Single Panel Active
 - Fixed-Active, Active-Fixed or Fixed-Fixed
 - Inactive-Active or Active-Inactive (French)
 - Active-Fixed-Fixed, Fixed-Active-Fixed, Fixed-Fixed-Active or Fixed-Fixed-Fixed
- Sidelites
- Transoms
- ◇ Muntin Choices
 - Internal, wood removable or simulated divided lites available
- ◇ Bottom Rail
 - 1/4 or 1/2 Panel with 0, 1 or 2 simulated raised plots
 - 10" bottom rail height
- ◇ Sill
 - ADA option
 - Mill finish
- ◇ Hinges
 - Ball bearing hinges
- ◇ Glazing
 - Multiple Low-E and argon glazing choices
 - Capillary tubes
 - Wide variety of glazing, tinting and thickness options
- ◇ Panning & Trim Choices
 - Wide variety of trim available
- ◇ Mulling
 - Wide variety of structural mulls

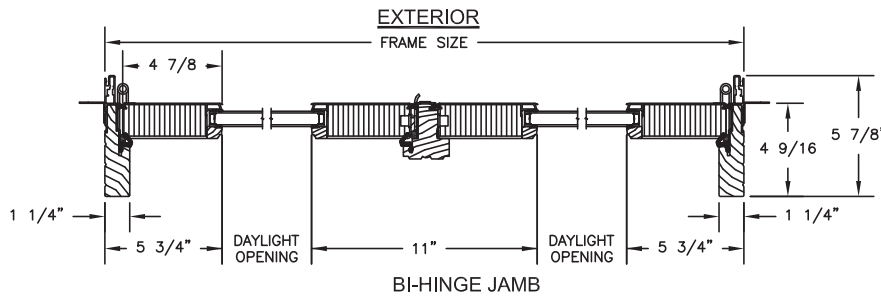
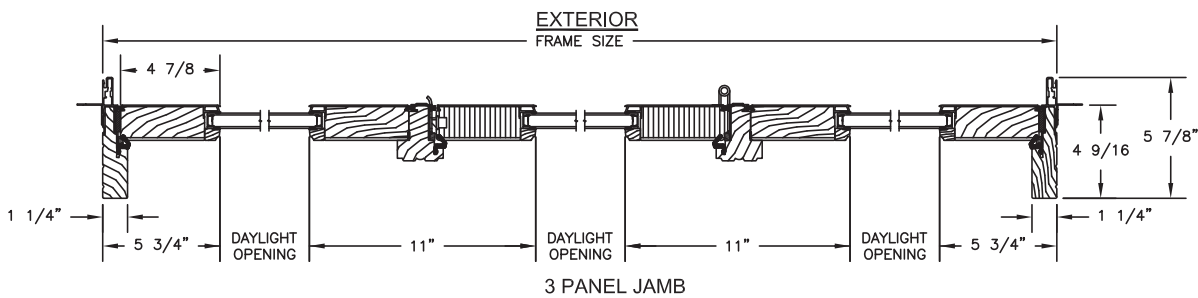
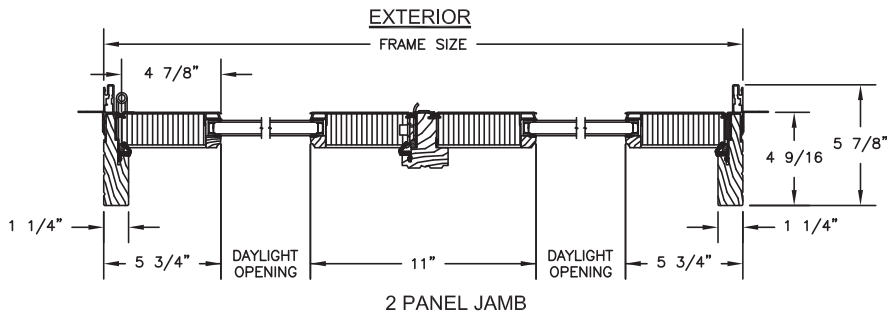
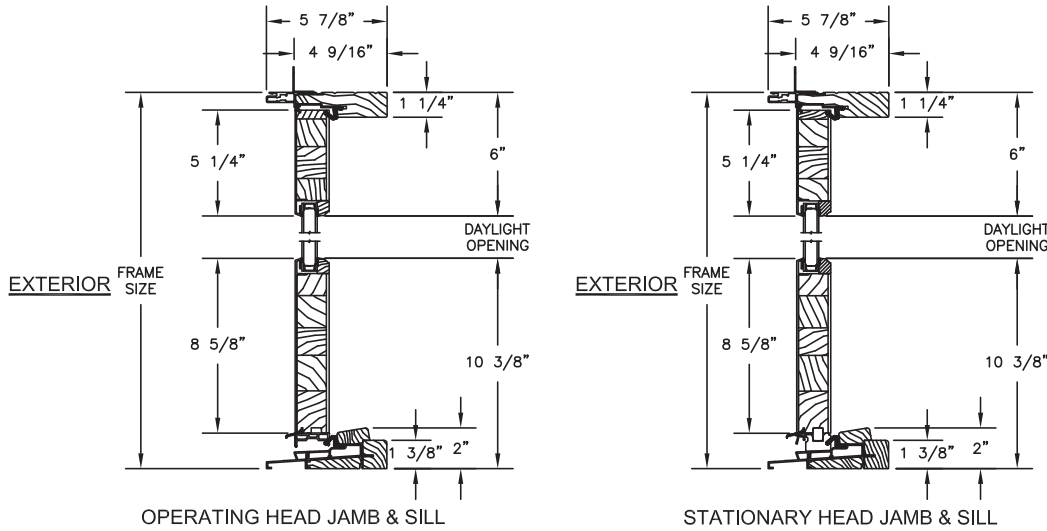
PERFORMANCE

- ◇ Structural & Thermal (test reports or thermal simulations available upon request)

Model	Brighton Hinged Outswing Door
	Active-Fixed
NAFS Rating	R-40, LC-50
Structural Load P.S.F.	75.19
Air Infiltration	<0.30
Water (No Penetration) P.S.F.	7.52
U-Value (ranges based on multiple Low-E/Argon combinations)	0.28 - 0.32
SHGC (ranges based on multiple Low-E/Argon combinations)	0.11 - 0.24
Test size	72" x 95"

BRIGHTON SERIES HINGED DOOR (OUTSWING)

This document contains confidential and proprietary information intended for the private use of Quaker.
© 2016 Quaker Window Products Co., INC. All rights reserved. Quaker reserves the right to change any/all designs without notice. Due to periodic re-certification requirements, result shown may vary.



Our products are tested to the standards of and certified by some of the foremost organizations in the fenestration industry.

