

# V200 Series 3 1/4" Frame Depth Double Hung/Single Hung

## V200 SERIES DOUBLE HUNG/SINGLE HUNG

### FEATURES

- ◇ **Commercial Framing System**
  - 3 1/4" main frame
  - 0.060" wall thickness of frame, 0.070" wall thickness of sash
- ◇ **Enhanced Design**
  - Mitered and welded corners
- ◇ **Glazing**
  - 3/4" insulated glass
  - SSB Glass
- ◇ **Hardware**
  - Block and tackle balancers
- ◇ **Screen**
  - Roll form aluminum screen frame with BetterVue™ mesh with WaterShed® technology
- ◇ **Colors**
  - White or Sandstone vinyl (interior/exterior)

### BENEFITS

- ◇ The capacity to match exterior colors for unique project facades
- ◇ The ability to facilitate large sizes for taller and wider window openings

### PERFORMANCE

- ◇ Structural & Thermal (test reports or thermal simulations available upon request)

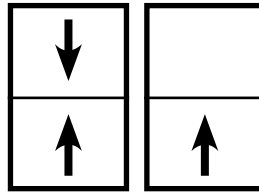
Model	Double Hung	Single Hung
NAFS Rating	R-40	R-35
Structural Load P.S.F.	60.15	52.63
Air at 50 MPH (cfm/ft <sup>2</sup> )	0.16	0.1
Water (No Penetration) P.S.F.	7.52	5.43
U-Value (ranges based on multiple Low-E/Argon combinations)	0.25-0.30	0.25-0.30
SHGC (ranges based on multiple Low-E/Argon combinations)	0.14-0.50	0.14-0.51
Window Test Size	40" x 63"	40" x 63"

### OPTIONS

- ◇ **Available Configurations**
  - Double Hung
  - Single Hung
  - Geometric shapes
- ◇ **Muntin Choices**
  - Internal or simulated divided lites available
- ◇ **Limited travel Hardware**
- ◇ **Nailing Fin**
- ◇ **Screen**
  - Roll form aluminum screen frame with aluminum wire mesh
  - Roll form aluminum screen frame with sunscreen mesh
  - Roll form aluminum screen frame with stainless steel 0.009" thickness mesh
- ◇ **Glazing**
  - Multiple Low-E and argon glazing choices
  - Capillary tubes
  - Wide variety of glazing, tinting and thickness options
- ◇ **Panning & Trim Choices**
  - Wide variety of panning, receptor and trim available
- ◇ **Mulling**
  - Wide variety of structural mulls
- ◇ **Colors**
  - High-performance Textured Black laminate (interior/exterior)
  - High-performance Textured Black laminate (exterior only with White vinyl or Textured Black laminate interior)
  - High-performance Textured Dark Bronze laminate (exterior only with White vinyl interior)
  - Twelve painted exterior colors (with White or Sandstone vinyl interior)
  - Unlimited custom painted exterior colors

Our products are tested to the standards of and certified by some of the foremost organizations in the fenestration industry.

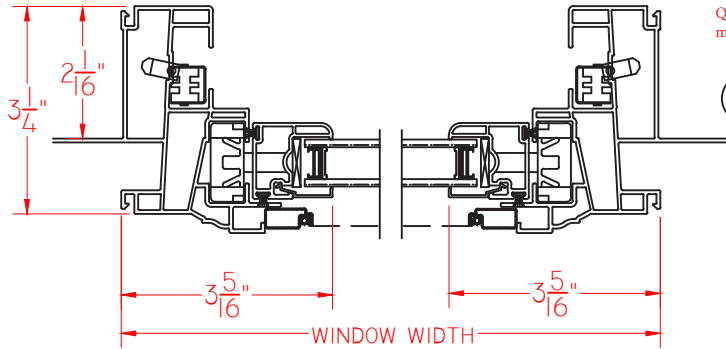




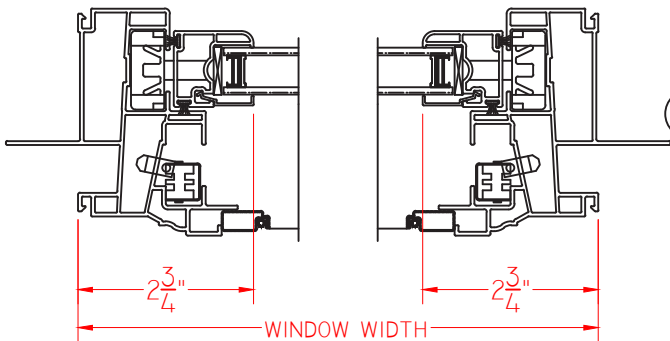
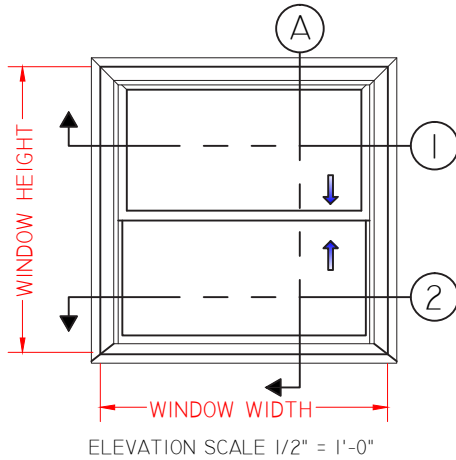
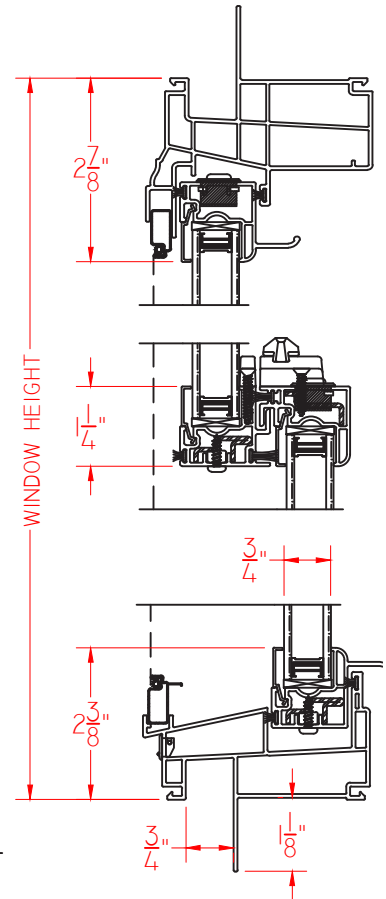
# V200 Series 3 1/4" Frame Depth Double Hung/Single Hung

## V200 DOUBLE HUNG

This document contains confidential and proprietary information intended for the private use of Quaker.  
© 2016 Quaker Window Products Co., INC. All rights reserved.  
Quaker reserves the right to change any/all designs without notice. Due to periodic re-certification requirements, result shown may vary.



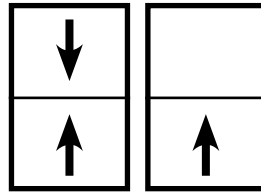
Ⓐ VERTICAL CROSS SECTION



SCALE 1:3

Our products are tested to the standards of and certified by some of the foremost organizations in the fenestration industry.

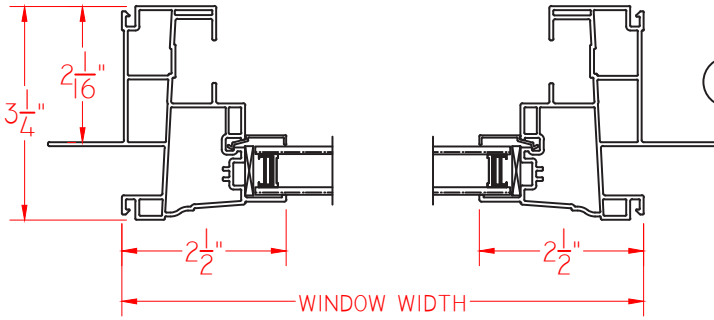




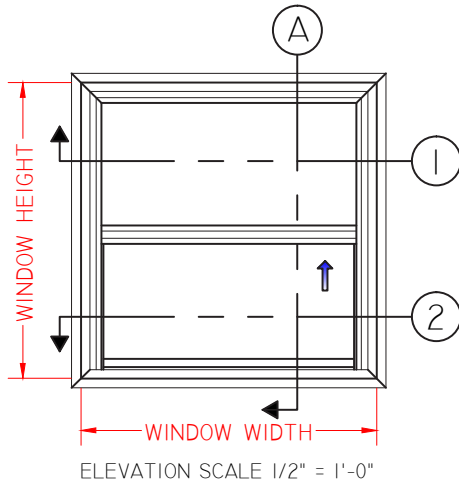
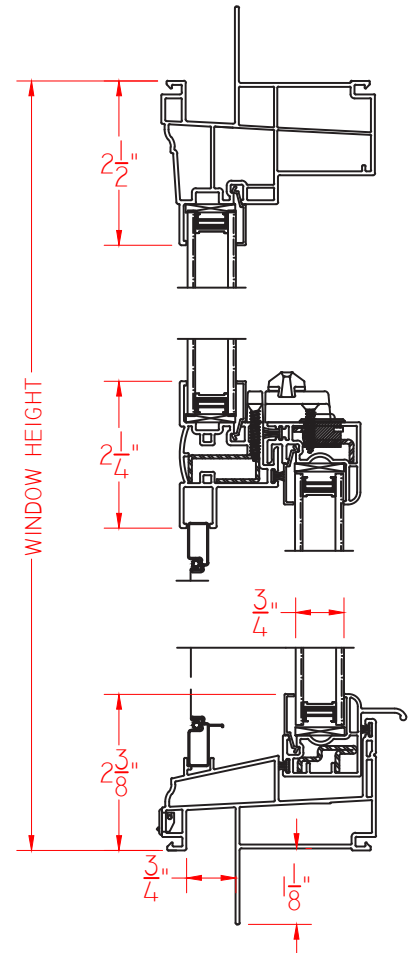
# V200 Series 3 1/4" Frame Depth Double Hung/Single Hung

## V200 SINGLE HUNG

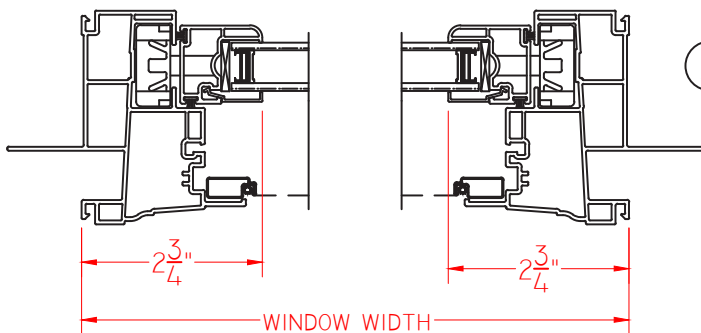
This document contains confidential and proprietary information intended for the private use of Quaker.  
© 2016 Quaker Window Products Co., INC. All rights reserved.  
Quaker reserves the right to change any/all designs without notice. Due to periodic re-certification requirements, result shown may vary.



Ⓐ VERTICAL CROSS SECTION



② HORIZONTAL CROSS SECTION



SCALE 1:3

Our products are tested to the standards of and certified by some of the foremost organizations in the fenestration industry.

