

M600 Series 3 1/4" Frame Depth Project-Out

M600 SERIES PROJECT-OUT

FEATURES

- ◇ Commercial Framing System
 - 3 1/4" main frame
 - Sealable corner keys
 - Crimp/Screw connections
 - 0.094" wall thickness of interior and exterior walls, 0.070" wall thickness elsewhere
- ◇ Enhanced Design
 - Azo-braided channel receives Azon pour and debridge thermal break which is 1/2" wide in all main frame and vent rail extrusions
 - Clean squared edges
 - 3" narrow sitelines
- ◇ With or Without Integral Nailing Fin
- ◇ Glazing
 - 1" insulated glass
- ◇ Hardware
 - Heavy-commercial Truth Contour™ locking system (Crank-out only)
 - Low profile cam handle (Push-out only)
 - Crank-out available (4-Bar hinges or butt hinges)
 - Push-out available (4-Bar hinges)
- ◇ Screen
 - Wicket screen (Push-out only)
 - Standard screens (Crank-out only)
- ◇ Meets ADA Requirements (ADA Handle Required, Crank-out only)

OPTIONS

- ◇ Available Configurations
 - Project-out
 - Push-out or Crank-out
 - Continuous frame capabilities
- ◇ Muntin Choices
 - Internal or simulated divided lites available
- ◇ Limited travel hardware
- ◇ Glazing
 - Multiple Low-E and argon glazing choices
 - Triple glazing (Energy TG)
 - Capillary tubes
 - Wide variety of glazing, tinting and thickness options
- ◇ Panning & Trim Choices
 - Wide variety of panning, receptor and trim available
- ◇ Mulling
 - Wide variety of structural mulls

BENEFITS

- ◇ The capacity to match exterior colors for unique project facades
- ◇ The ability to facilitate large sizes for taller and wider window openings
- ◇ Modern appearance merged with superior structural integrity
- ◇ Florida Product Approval # 27676

PERFORMANCE

- ◇ Structural & Thermal (test reports or thermal simulations available upon request)

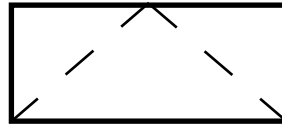
Model	Project-Out
Test Sizes	60" x 36"
NAFS Rating	AW-PG70-AP
Air at 50 MPH (cfm/ft ²)	<.10
Water (No Penetration) P.S.F.	15
CR (Condensation Resistance)	31-46
U-Value	0.33-0.55
STC/OITC	41-43/33-34

Operating Force: 6 lbf (maintain motion), 8 lbf (latches), 3 lbf (ADA Handle)

Thermal values shown are a range based on Quaker's most popular glass package options. Other available glass options may result in values outside of the range shown.

Our products are tested to the standards of and certified by some of the foremost organizations in the fenestration industry.



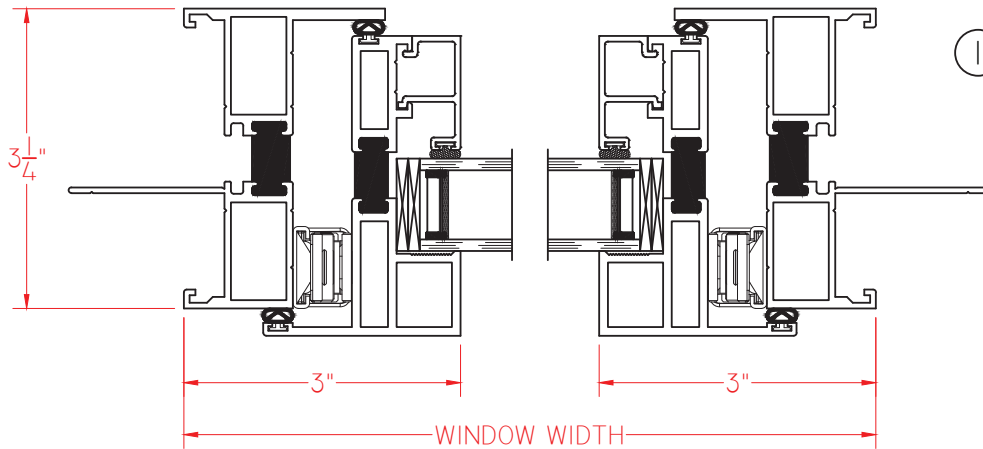


M600 Series 3 1/4" Frame Depth Project-Out

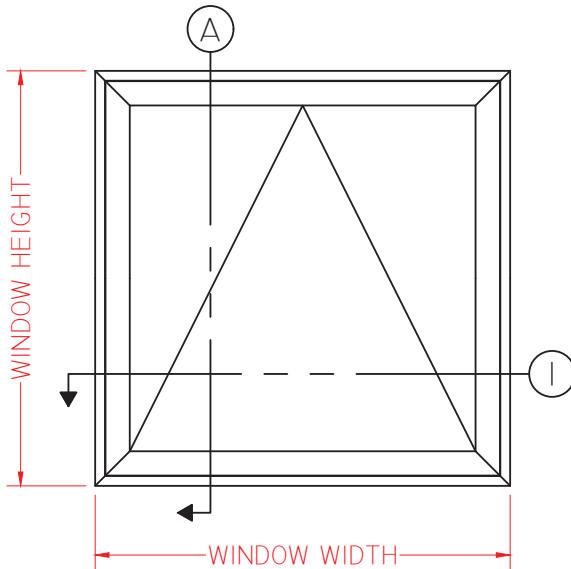
M600 SERIES PROJECT-OUT

WITH NAIL FIN AND
CAM HANDLE PUSH-OUT
HARDWARE

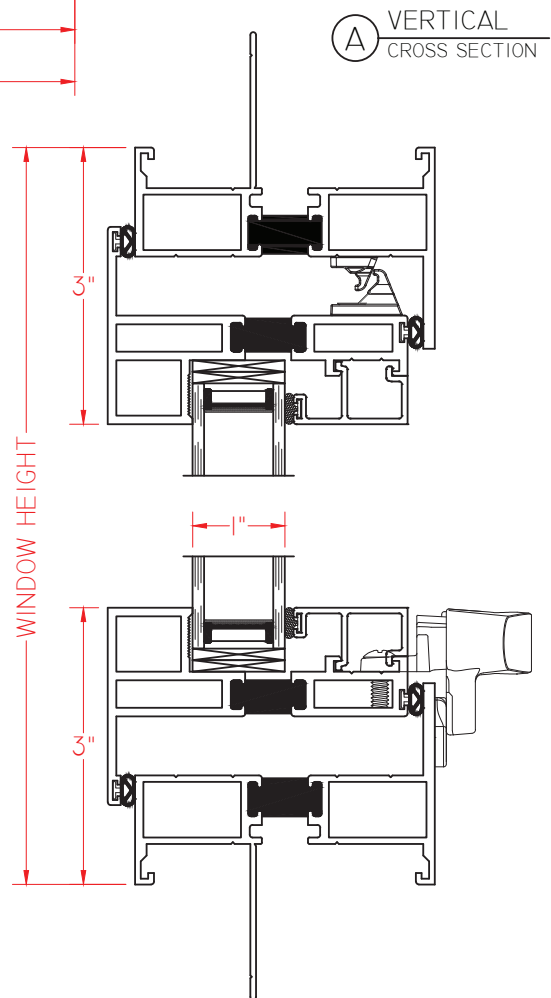
This document contains confidential and proprietary information intended for the private use of Quaker.
© 2016 Quaker Window Products Co., INC. All rights reserved.
Quaker reserves the right to change any/all designs without notice. Due to periodic re-certification requirements, result shown may vary.



① HORIZONTAL
CROSS SECTION



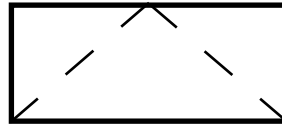
ELEVATION SCALE 3/4" = 1'-0"



Ⓐ VERTICAL
CROSS SECTION

Our products are tested to the standards of and certified by some of the foremost organizations in the fenestration industry.



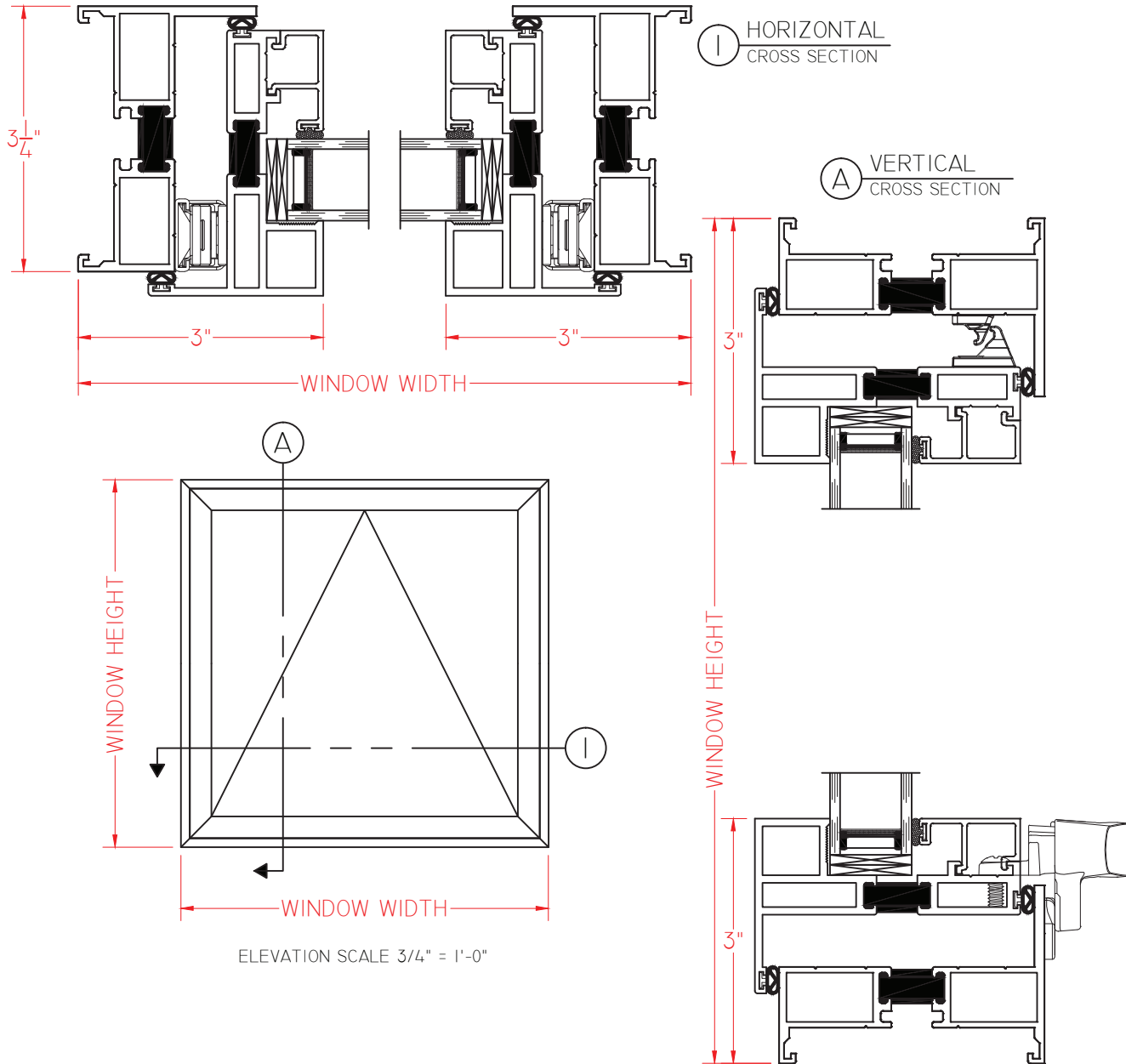


M600 Series 3 1/4" Frame Depth Project-Out

M600 SERIES PROJECT-OUT

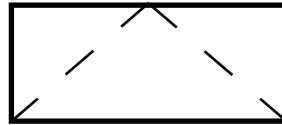
WITH NO NAIL FIN AND
CAM HANDLE PUSH-OUT
HARDWARE

This document contains confidential and proprietary information intended for the private use of Quaker.
© 2016 Quaker Window Products Co., INC. All rights reserved.
Quaker reserves the right to change any/all designs without notice. Due to periodic re-certification requirements, result shown may vary.



Our products are tested to the standards of and certified by some of the foremost organizations in the fenestration industry.



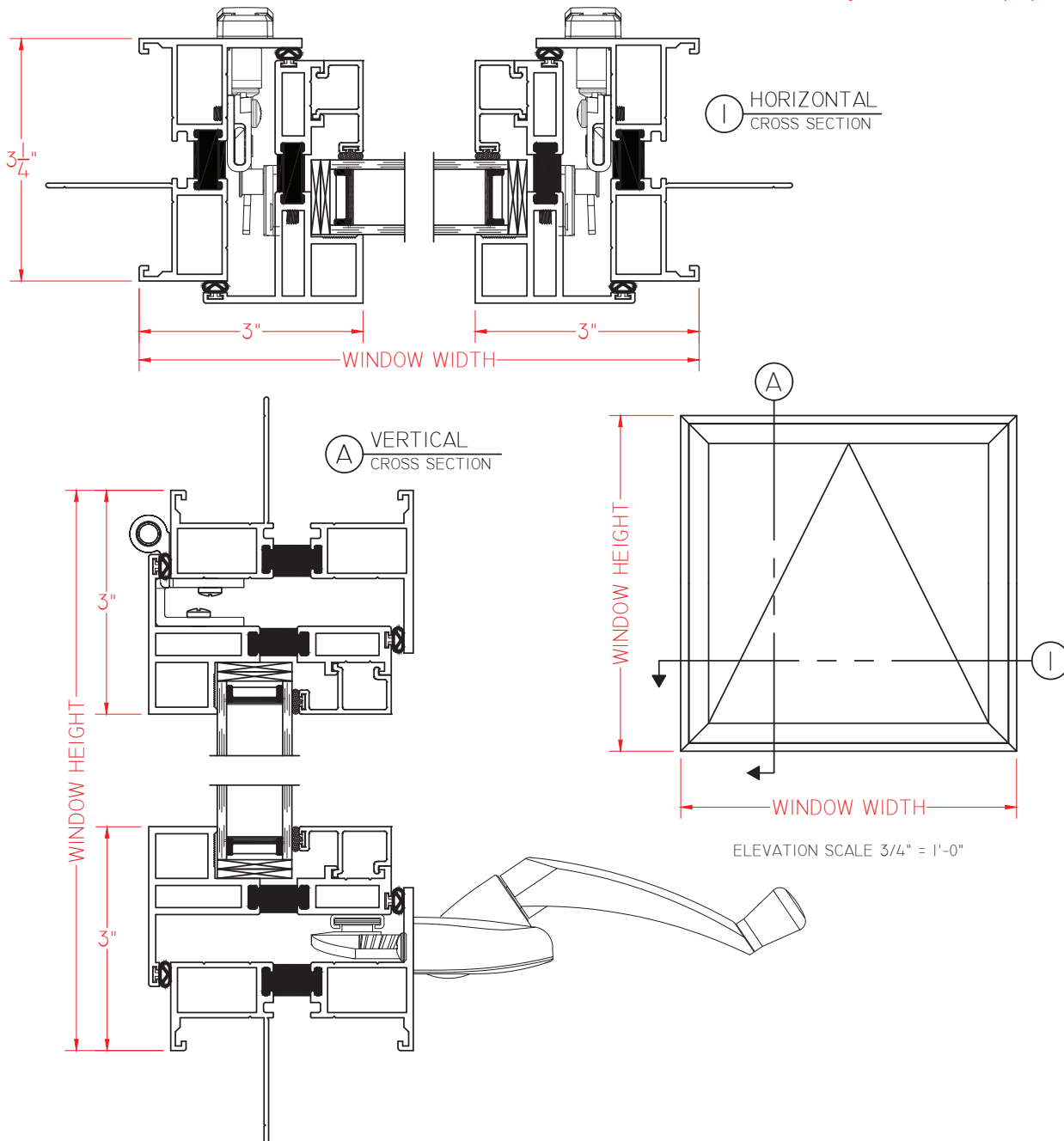


M600 Series 3 1/4" Frame Depth Project-Out

M600 SERIES PROJECT-OUT

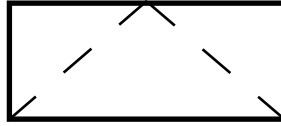
WITH NAIL FIN AND
ROTO HARDWARE

This document contains confidential and proprietary information intended for the private use of Quaker.
© 2016 Quaker Window Products Co., INC. All rights reserved.
Quaker reserves the right to change any/all designs without notice. Due to periodic re-certification requirements, result shown may vary.



Our products are tested to the standards of and certified by some of the foremost organizations in the fenestration industry.



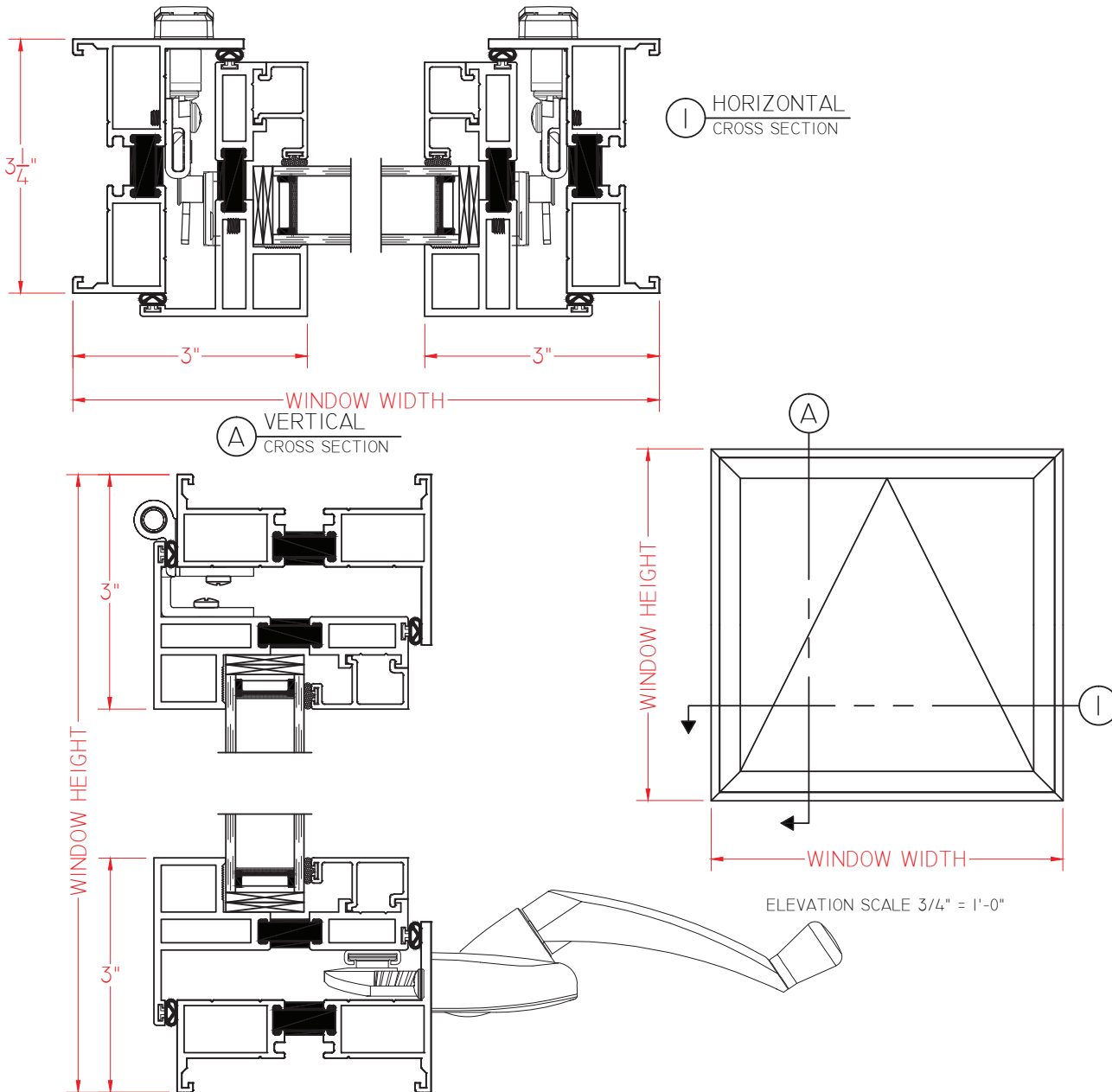


M600 Series 3 1/4" Frame Depth Project-Out

M600 SERIES PROJECT-OUT

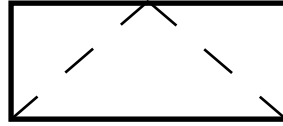
WITH NO NAIL FIN AND
ROTO HARDWARE

This document contains confidential and proprietary information intended for the private use of Quaker.
© 2016 Quaker Window Products Co., INC. All rights reserved.
Quaker reserves the right to change any/all designs without notice. Due to periodic re-certification requirements, result shown may vary.



Our products are tested to the standards of and certified by some of the foremost organizations in the fenestration industry.



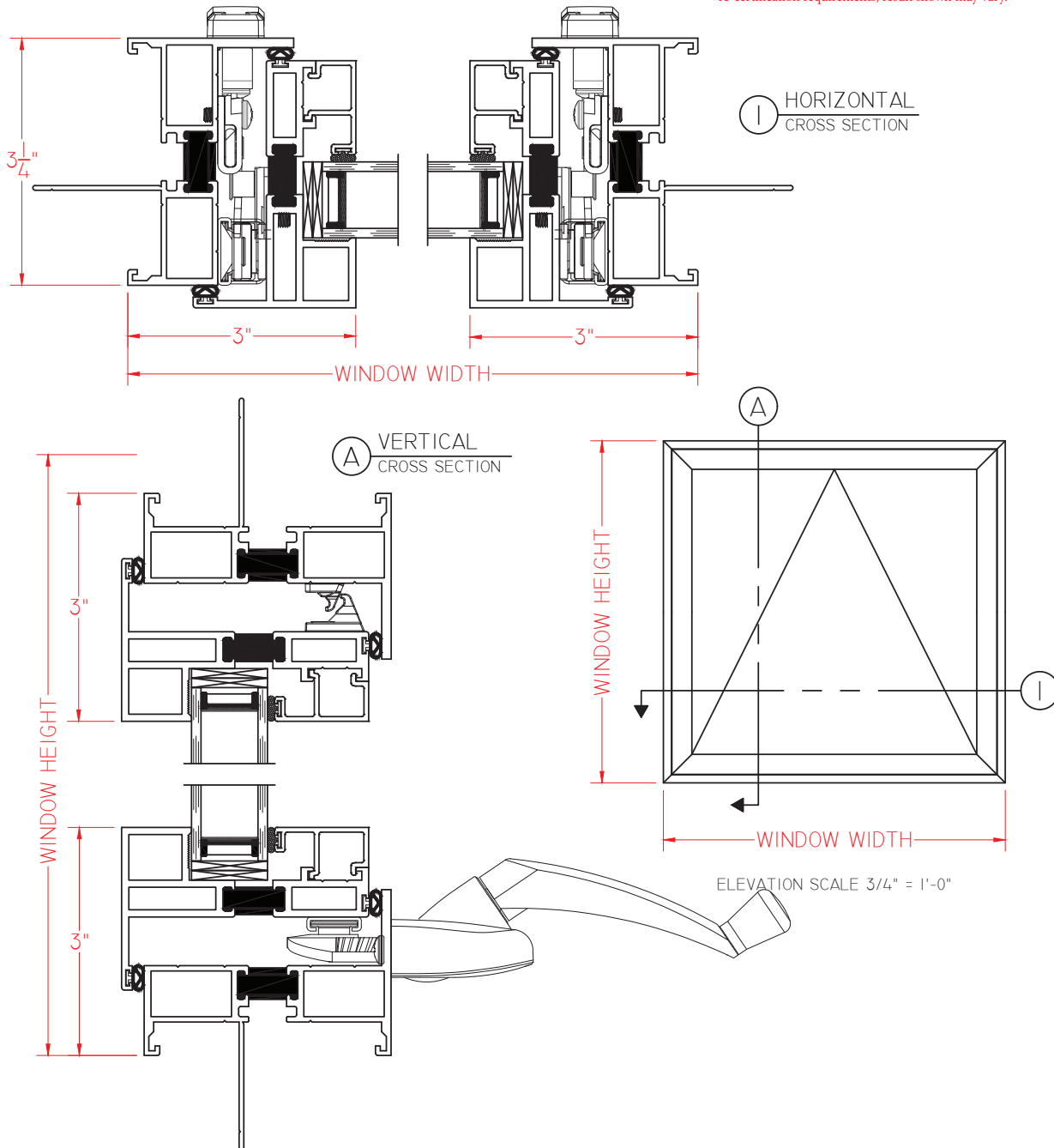


M600 Series 3 1/4" Frame Depth Project-Out

M600 SERIES PROJECT-OUT

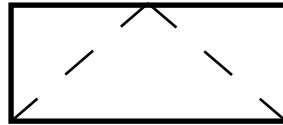
WITH NAIL FIN,
4-BAR HINGE AND
ROTO HARDWARE

This document contains confidential and proprietary information intended for the private use of Quaker.
© 2016 Quaker Window Products Co., INC. All rights reserved.
Quaker reserves the right to change any/all designs without notice. Due to periodic re-certification requirements, result shown may vary.



Our products are tested to the standards of and certified by some of the foremost organizations in the fenestration industry.



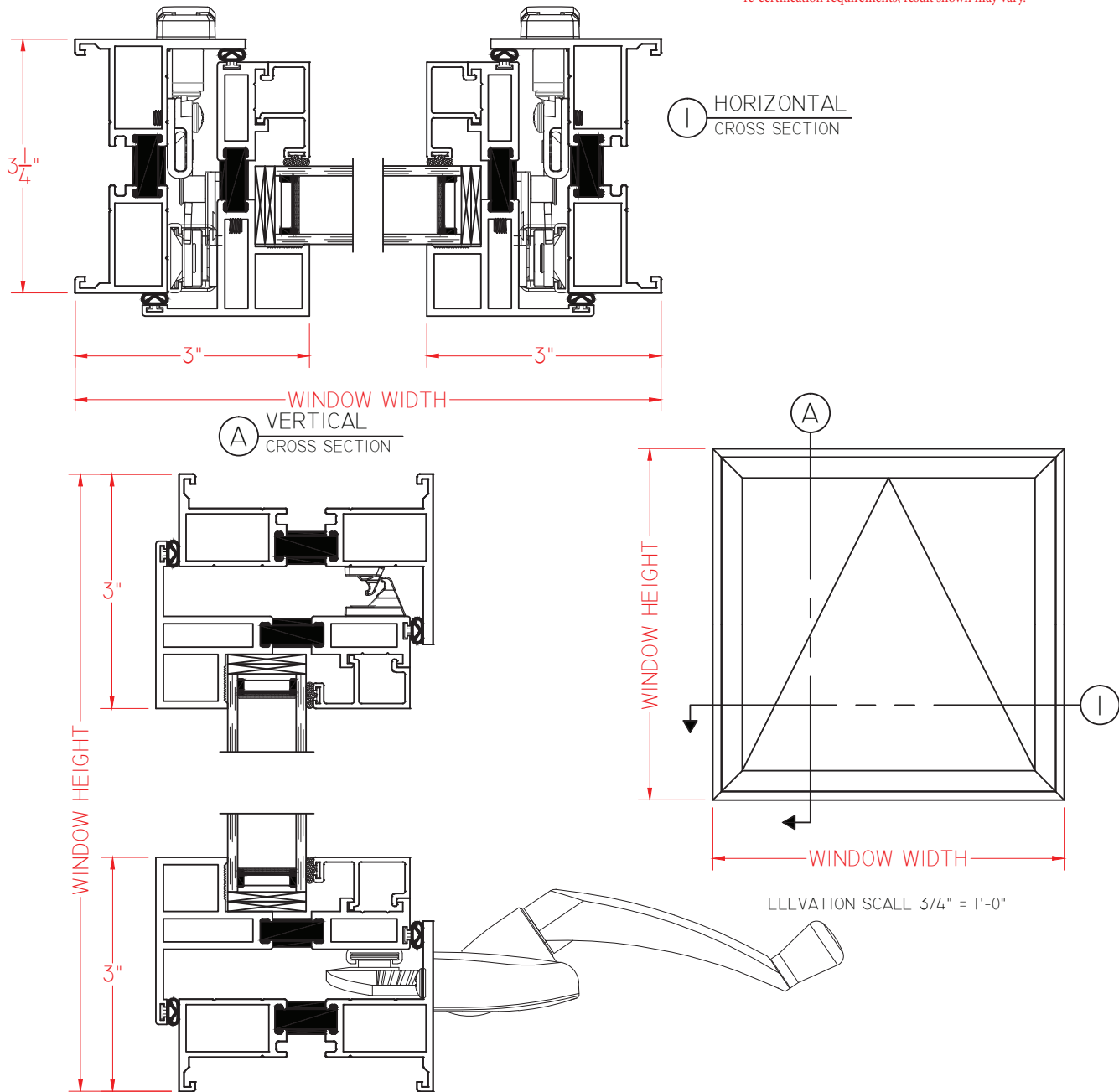


M600 Series 3 1/4" Frame Depth Project-Out

M600 SERIES PROJECT-OUT

WITH NO NAIL FIN,
4-BAR HINGE AND
ROTO HARDWARE

This document contains confidential and proprietary information intended for the private use of Quaker.
© 2016 Quaker Window Products Co., INC. All rights reserved.
Quaker reserves the right to change any/all designs without notice. Due to periodic re-certification requirements, result shown may vary.



Our products are tested to the standards of and certified by some of the foremost organizations in the fenestration industry.

